



A TEREX BRAND

Parts Manual

Serial Number Range

S-85 XC™ FE
S-85 XC™ E

from SN S85XCEH-101

Part No. 1337214GT
Rev: A
September 2025

Technical Publications

Genie has endeavored to deliver the highest degree of accuracy possible. However, continuous improvement of our products is a Genie policy. Therefore, product specifications are subject to change without notice.

Readers are encouraged to notify Genie of errors and send in suggestions for improvement. All communications will be carefully considered for future printings of this and all other manuals.

Contact Us:

Internet: www.genielift.com
e-mail: awp.techpub@terex.com

Find a Manual for this Model


Go to <http://www.genielift.com>

Use the links to locate Operator's, Parts, Maintenance, and Service and Repair Manuals.

Copyright © 2025 Terex Corporation

1337214GT Rev A September 2025
First Edition, First Printing

Genie is a registered trademark of Terex South Dakota, Inc. in the USA and many other countries. "S" is a trademark of Terex South Dakota, Inc.

 Printed on recycled paper

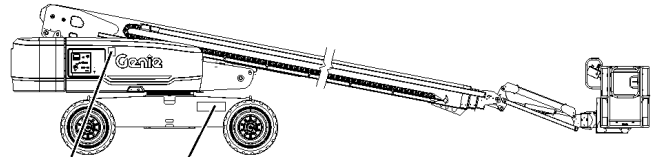


Genie
A TEREX BRAND

Model:
Serial number: S85XCEH-12345
Year of manufacture: 2025
Electrical schematic number:
Machine unladen weight:
Rated work load (including occupants):
Maximum number of platform occupants:
Maximum allowable side force:
Maximum allowable inclination of the chassis:

S85XCE H - 12345

1 2 3



- 1 Model
- 2 Facility code
- 3 Sequence number
- 4 Serial label (located under cover)
- 5 Serial number (stamped on chassis)

How to Order Parts

Please be prepared with the following information when ordering replacement parts for your Terex or Genie product.

- Machine model number
- Machine serial number
- Part number
- Part description and quantity
- Purchase order number
- "Ship to" address
- Desired method of shipment
- Name and telephone number of the authorized distributor in your area

Use the Service Parts Fax Order Form on the next page and fax your order to our Parts Department.

If you don't know the name of your authorized distributor, or if your area is not currently serviced by an authorized distributor, please call Terex or Genie Industries.

Machine Information

_____ Model

_____ Serial Number

_____ Date of Purchase

_____ Authorized Genie Distributor

_____ Phone Number

North America

Telephone (425)881-1800
 Toll Free (800)536-1800 in US and Canada
 Fax (425)556-8659
 Toll Free fax (888)274-6192
 Email AWP.PartsSalesPO@terex.com
<http://genielift.com/en>

EMEAR (Europe, Middle East, Africa and Russia)

Telephone (31)(165)519 313
 Fax (31)(165)511 148
<http://genielift.co.uk>

Asia Pacific (Genie Singapore)

Telephone +65 6692 7777
 Fax +65 6261 8893
<http://genielift.com.sg/>

Australia

Telephone (61)(7)3456 4444
 Fax (61)(7)3456 4466
<http://genielift.com.au>

South America

Telephone (55)(11)4082 5600
 Fax (55)(11)4082 5630





Description	Page
001 Parts Stocking List	10
001.1 Parts Stocking List	10
100 Decals	14
101.1 Decals with Word, Battery Side	14
102.1 Decals with Word, Chassis	20
103.1 Decals with Word, Engine Side	22
104.1 Decals with Word, Boom	28
105.1 Decals with Word, Platform	30
106.1 Decals with Symbol, Battery Side	34
107.1 Decals with Symbol, Chassis	38
108.1 Decals with Symbol, Engine Side	40
109.1 Decals with Symbol, Boom	44
110.1 Decals with Symbol, Platform	46
200 Drive Chassis Components.....	48
201.1 Steer End	48
202.1 Axle Installation	54
203.1 Oscillation Control Valve	58
300 Turntable Components.....	60
301.1 Hydraulic Tank, Swivel and Cabel Cover Components	60
302.1 Tank Side - FE Hybrid Models Option	64
303.1 Tank Side - E Models Option	68
304.1 Turntable Components and Swing Drive Assembly - View 1	72
305.1 Turntable Components and Swing Drive Assembly - View 2	76
306.1 Turntable Covers- Control Side	82
307.1 Turntable Covers- Tank Side	86
308.1 Contactor Box Assembly	90
309.1 Ground Control Box, External View	94
310.1 Ground Control Box, Internal View	98
311.1 Turntable Counterweight	100
312.1 Wire Harness Diagram - View 1	102
312.2 Wire Harness Diagram - View 2	106
312.3 Wire Harness Diagram - View 3	108
400 Engine Components	112
401.1 Kubota D1105 Engine, View 1	112
402.1 Kubota D1105 Engine, View 2	116
403.1 Kubota D1105 Engine, View 3	122
404.1 Kubota D1105 Engine, View 4	124

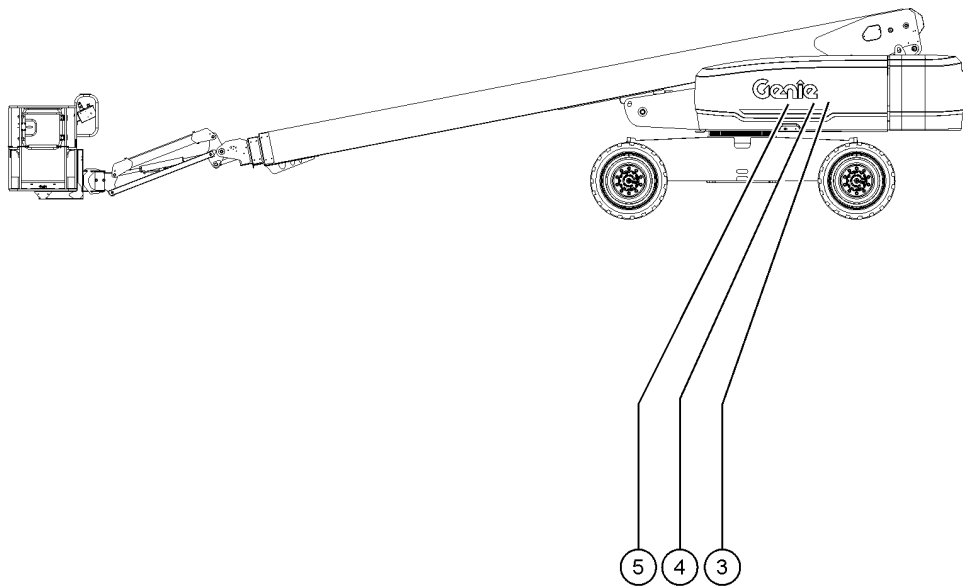
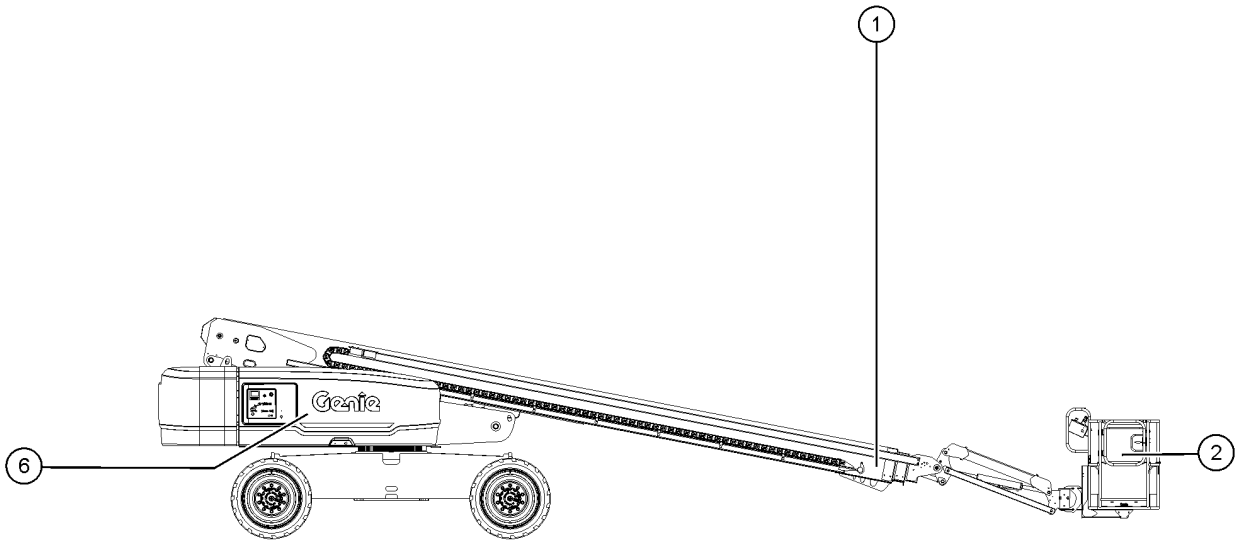
Table of Contents

Description	Page
405.1 Kubota D1105 Engine, View 5	128
500 Boom Components	130
501.1 Cable Track Installation	130
502.1 Extension Boom Tube 1	132
503.1 Extension Boom Tube 2	136
504.1 Extension Boom Tube 3	138
505.1 Cable Assembly and Primary Extension Cylinder	140
506.1 Boom Link Assembly - View 1	144
507.1 Boom Link Assembly - View 2	148
508.1 Jib Boom and Platform Rotator	150
509.1 Platform Installation	154
510.1 Platform Overload Components	156
600 Platform Components	158
601.1 Platform Configuration	158
602.1 Platform Components	160
603.1 Platform Control Box	164
604.1 Joysticks	168
700 Hydraulic Components	170
701.1 Platform Rotator Manifold	170
702.1 Platform Manifold	172
703.1 Function Manifold	174
704.1 Elevate Plumbing	176
705.1 Swing Plumbing (FE)	178
706.1 Swing Plumbing (E)	180
707.1 Drive Plumbing	182
708.1 Lift Cylinder	184
709.1 Oscillating Cylinder	186
800 Accessories	188
801.1 Alarm, Beacon Package and Driving Lights	188
802.1 Hostile Environment Package - Ground and Platform Control Box Covers	190
803.1 Hostile Environment Package - Booms	192
804.1 Hostile Environment Package - Turntable	194
805.1 Hostile Environment Package - Cylinder Bellows	196
806.1 Lithium Battery Option (285AH)	198
807.1 Lithium Battery Option (450AH)	200
808.1 Welder Option, Chassis Components - 7.5KW Generator View 1	202
809.1 Welder Option, Chassis Components - 7.5KW Generator View 2	206
810.1 Welder Option, Chassis Components - 12KW Generator View 1	208



Description	Page
811.1 Welder Option, Chassis Components - 12KW Generator View 2	212
812.1 Lift Power Option, Platform Components	214
813.1 Air Line/Power to Platform	216
814.1 Lift Guard Contact Alarm Option	220
815.1 Telematics Option	222
816.1 Work Light Package	224
817.1 Platform Accessories	226
818.1 Cold Start Package (240V)	228
819.1 Cold Start Package (120V)	230
820.1 Inverter Option	232
821.1 Option, Access Manager, 164	234
822.1 Lift Guard White Noise Alarm	236
823.1 Charge Port, EU STD + EU EV, Option	238
824.1 Charge Port, EU STD, 1.2KW, Option	242
825.1 Charge Port, No Plug, Option	244
826.1 Charge Port, No Plug + EU EV, Option	246
827.1 Charge Port, EU STD + NA EV, Option	250
828.1 Charge Port, NA STD + EU EV, Option	254
Part Number Index	258

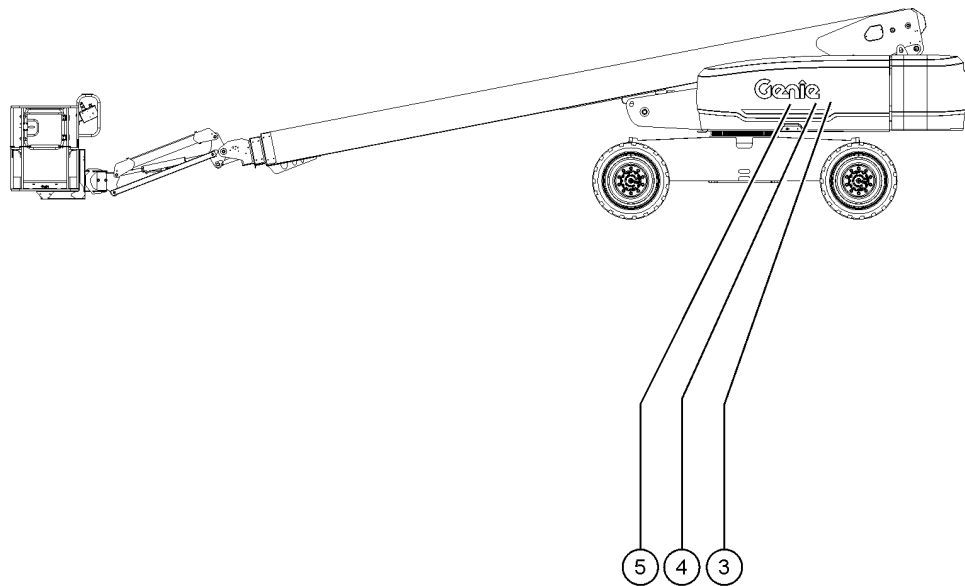
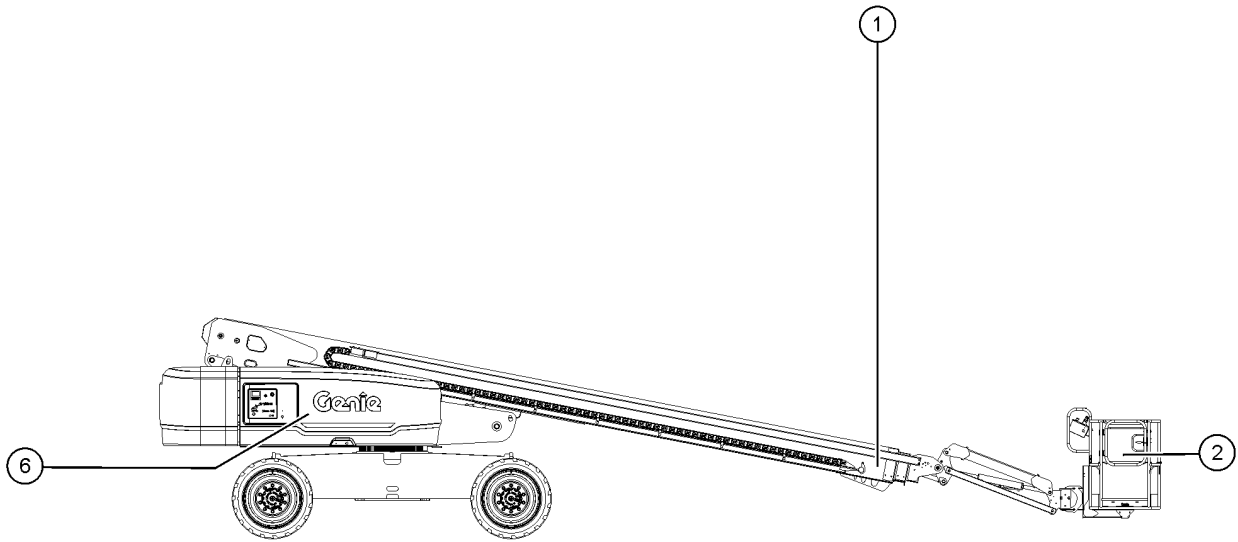
001.1 Parts Stocking List



Item	Part No.	Description	Qty.
A		—INSPECTION SERVICE KITS—	
A-	75097GT	CHOCK,SERVICE Lift cylinder (refer to 506.1)	
B		—GENERAL SERVICE PARTS—	
B-	1484GT	PAINT, AEROSOL, BRIGHT BLUE*** 12-ounce spray paint	
B-	1268GT	PAINT, AEROSOL, GENIE GRAY*** 12-ounce spray paint	
B-	1258567GT	PAINT, AEROSOL, TRAFFIC BLACK 12-ounce spray paint	
B-	32150GT	PAINT, WET, GENIE BLUE (1 GL)** 1-gallon	
B-	32151GT	PAINT, WET, GENIE GRAY (1GL)** 1-gallon	
B-	1257733GT	PAINT, WET, TRAFFIC BLACK(1 GL)** 1-gallon	
B-	66399GT	GREASE, DIELECTRIC 4 OZ**	
B-	60536GT	FUSE,20 AMP,MAXI	
B-	94327GT	FUSE,30 AMP	
B-	1283776GT	SEAL MARKER,CROSS CHECK,BLUE,TUBE	
B-	93500GT	PARKER DIGITAL PRESSURE GAUGE	
B-	49612GT	O-RING KIT (ORFS FITTINGS) O-ring kit, Parker	
B-	28750GT	O-RING KIT,FIELD SVC,ALL PROD* O-ring kit, SAE	
B-	33994GT	PLUG AND CAP KIT-SERVICE,37?*** Plug and cap kit, SAE	
B-	60334GT	FILTER ASSY,HIGH PRESS SAE-12	
1	1306377GT	ASSEMBLY, ANGLE SENSOR, BELLCRANK	1
2		—MANUALS—	
2-	27581GT	MANUAL, EMI SAFETY	
2-	31779GT	MANUAL,RESPON,A92.5 BOOM	
3		—DEUTZ TD2011L04i MODELS—	
3-	62425GT	FILTER,AIR CLEANER, SUPERBOOM (refer to 402.1)	
4		—DEUTZ TD 2.9L4 MODELS—	
4-	62425GT	FILTER,AIR CLEANER, SUPERBOOM (refer to 402.1)	
4-	214228GT	FILTER, DEUTZ 2.9, FUEL (refer to 408.1)	
4-	236260GT	FILTER, FUEL PRE-FILTER, SPIN-ON, DEUTZ (refer to 408.1)	



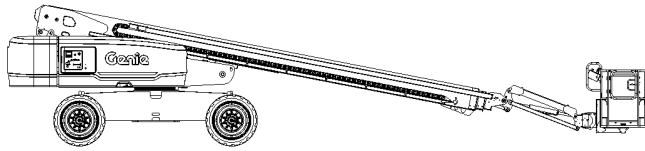
001.1 Parts Stocking List



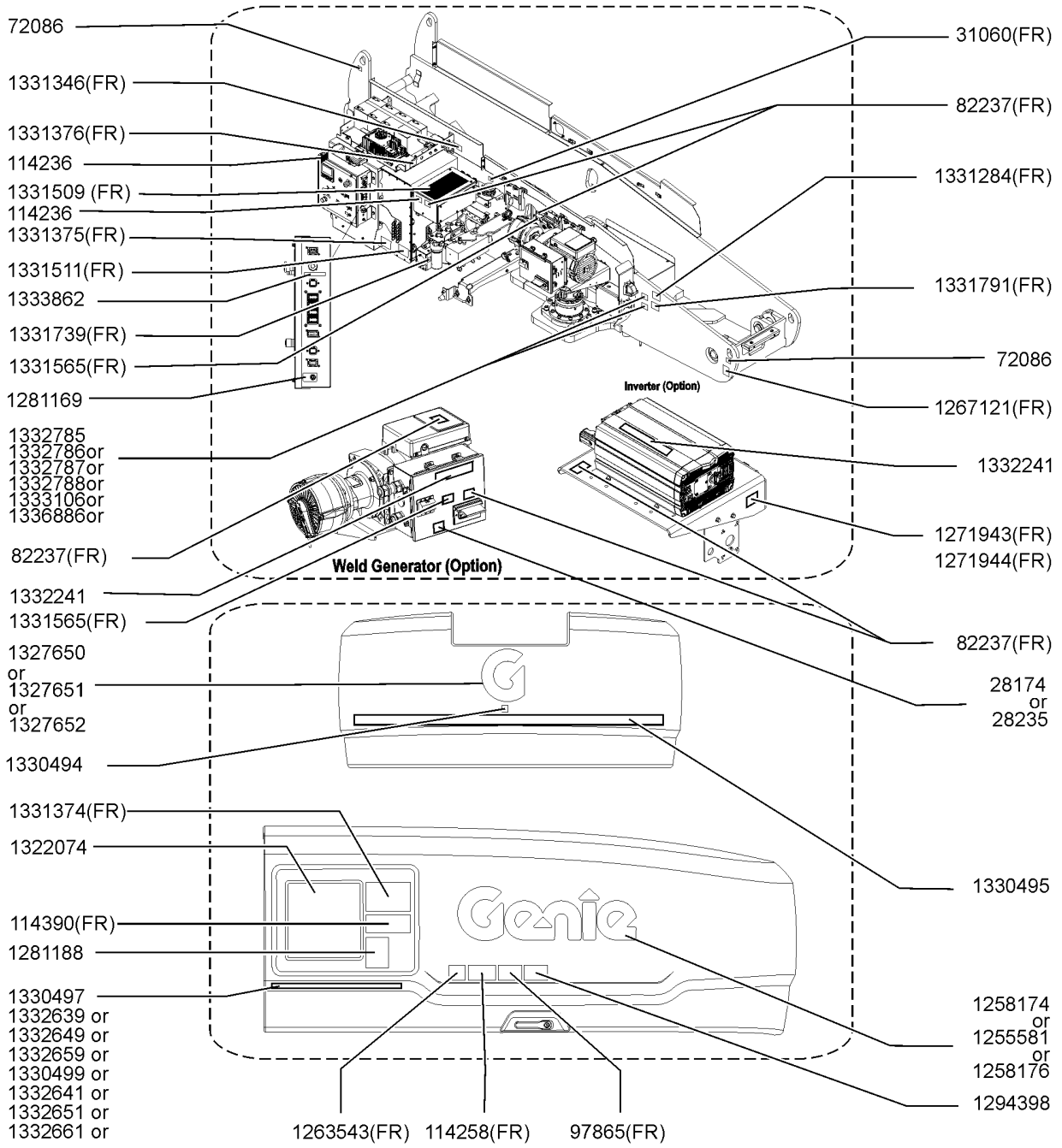
Item	Part No.	Description	Qty.
4-	49924GT	FILTER,OIL,DEUTZ (refer to 405.1)	
4-	1262866GT	FAN BELT, ALTERNATOR (refer to 407.1)	
5		—GM 3.0L MODELS—	
5-	62420GT	FILTER,AIR*** (refer to 409.1)	
5-	65626GT	FILTER-FUEL, GM 3.0L ENGINE (refer to 412.1)	
5-	1271652GT	FILTER, FUEL, GM3.0L (refer to 412.1)	
5-	65623GT	FILTER-OIL, GM 3.0L ENGINE (refer to 412.1)	
5-	65621GT	BELT-FAN, GM 3.0L ENGINE (refer to 412.1)	
5-	58412GT	SPARK PLUG WIRE SET,GM 3.0 (refer to 412.1)	
6		—HYD FILTERS—	
6-	60857GT	FILTER,ELEMENT,BETA(5)=1000 All Models	
6-	1282117GT	FILTER,ELEMENT,HYD TANK,RETURN (refer to 301.1 and 302.1)	



101.1 Decals with Word, Battery Side



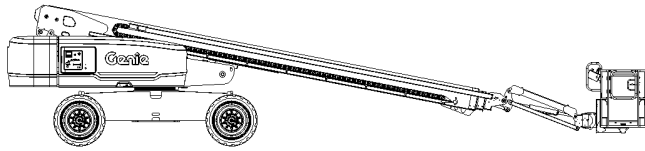
NOTE:
Part numbers with "(FR)"
indicates French translation
is available



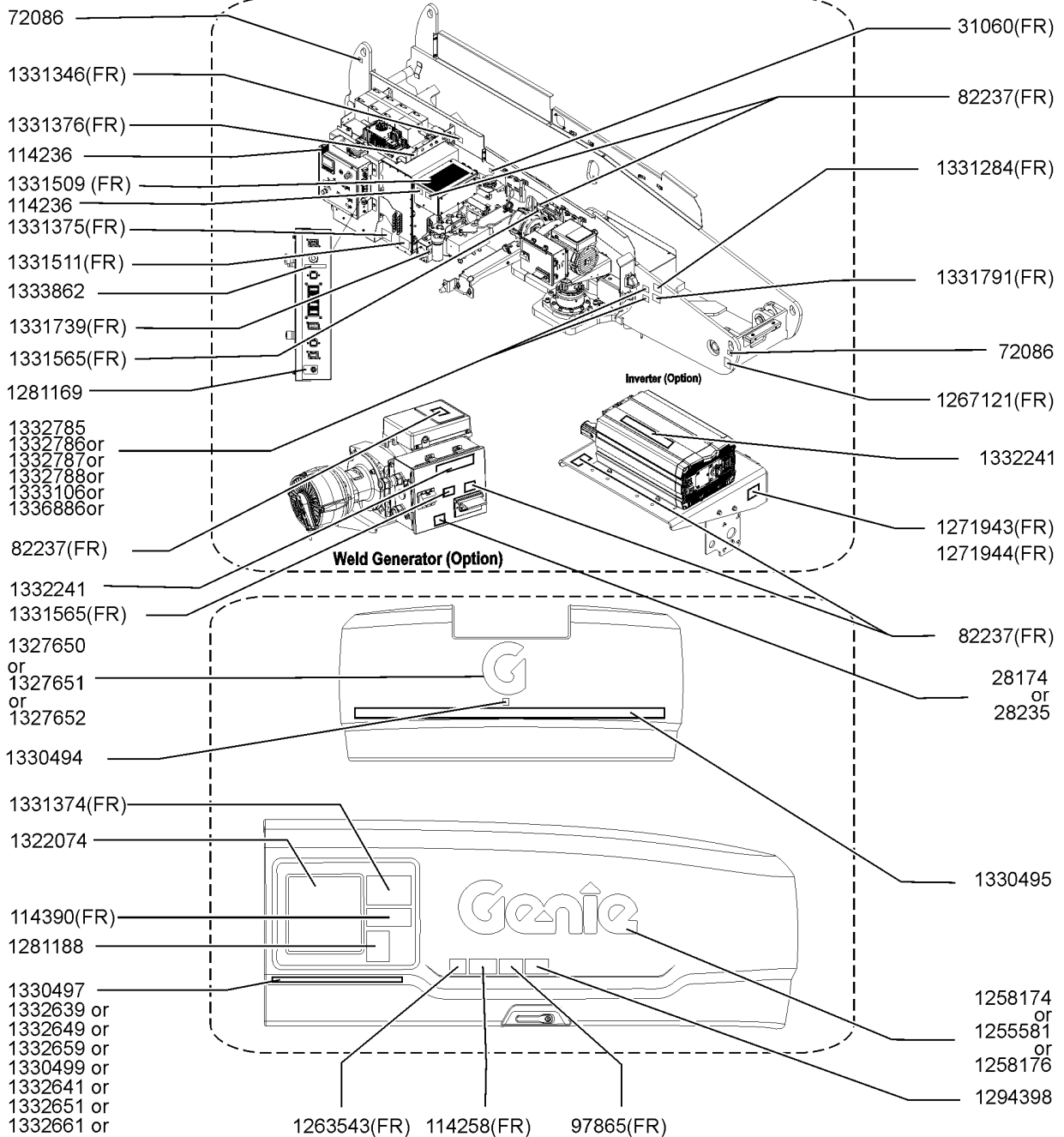
Item	Part No.	Description	Qty.
1	28174GT	DECAL,POWER TO PLATFORM 230V	1
2	28235GT	DECAL,POWER TO PLATFORM 115V	1
3	31060GT	DECAL,DANGER DO NOT ALTER SWTC	1
		English decal	
3B	31060FRGT	DECAL,DANGER-TIP OVR,LIMSWITCH	1
		French decal	
4	72086GT	DECAL,LABEL,LIFTING EYE	2
5	82237GT	DECAL,DANGER,HIGH VOLTAGE	5
		English decal	
5B	82237FRGT	DECAL,DANGER,HIGH VOLTAGE	5
		French decal	
6	97865GT	DECAL,WARN,ELECTRO HAZARD	1
		English decal	
6B	97865FRGT	DECAL,WARN,ELECTRO HAZARD	1
		French decal	
7	114236GT	DECAL,LABEL,CB SYMBOL	2
8	114258GT	DECAL,DANGER,NO SMOKING	1
		English decal	
8B	114258FRGT	DECAL,DANGER,EXPLOSION,NO SMOK	1
		French decal	
9	114390GT	DECAL,DANGER,ELECT HAZARD***	1
		English decal	
9B	114390FRGT	DECAL,DANGER,ELECT HAZARD	1
		French decal	
10	1255581GT	DECAL,COSMETIC, 10" GENIE BLUE	1
11	1258174GT	DECAL, COSMETIC, 10", GENIE WHITE	1
12	1258176GT	DECAL, COSMETIC, 10", GENIE BLACK	1
13	1263543GT	DECAL,COMPARTMENT ACCESS	1
		English decal	
13B	1263543FRGT	DECAL, IMPROPER OPERATION, FR	1
		French decal	
14	1267121GT	DECAL, BOOM SUPPORT	1
		English decal	
14B	1267121FRGT	DECAL, BOOM SUPPORT, FRENCH	1
		French decal	
15	1271943GT	LABEL, AC INVERTER POWER, 115V AC, 15A	1
		English decal	
15B	1271943FRGT	LABEL, AC INVERTER POWER, 115V	1
		French decal	
16	1271944GT	LABEL, AC INVERTER POWER, 220V AC, 9A	1
		English decal	
16B	1271944FRGT	LABEL, AC INVERTER POWER, 220V	1
		French decal	
17	1281169GT	DECAL,RECOVERY SWITCH	1
18	1281188GT	DECAL,EMERGENCY LOWERING	1
19	1294398GT	DECAL, ANSI/CSA COMPLIANT	1



101.1 Decals with Word, Battery Side



NOTE:
Part numbers with "(FR)" indicates French translation is available

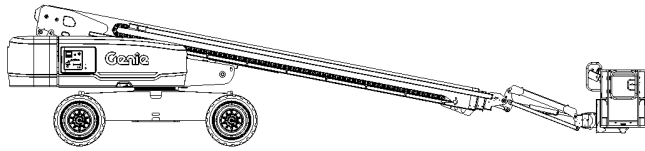


101.1 Decals with Word, Battery Side

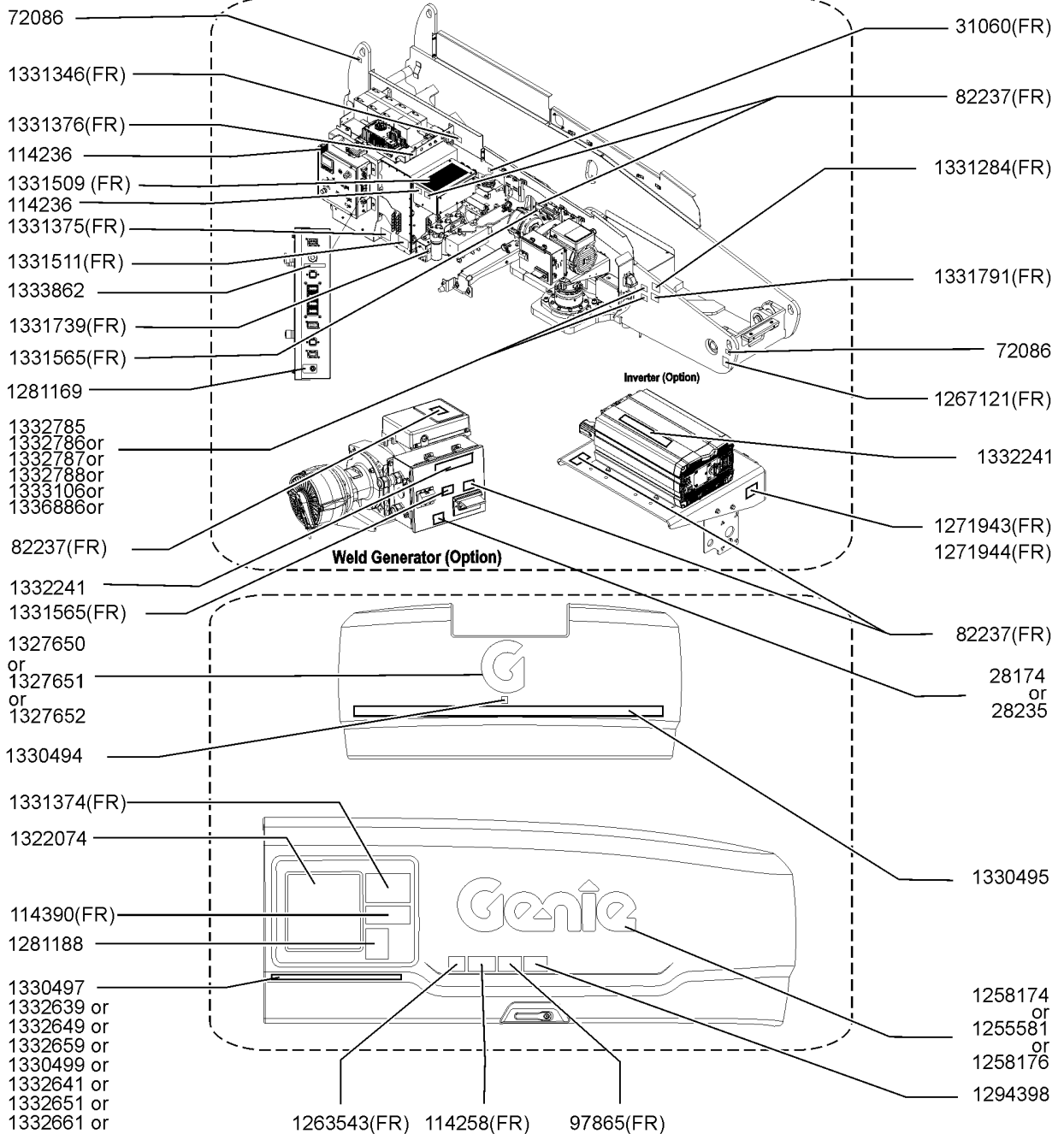
Item	Part No.	Description	Qty.
20	1322074GT	DECAL, GROUND CONTROL BOX	1
21	1327650GT	DECAL,COSMETIC,"G" WHITE	1
22	1327651GT	DECAL,COSMETIC,"G" BLUE	1
23	1327652GT	DECAL,COSMETIC,"G" BLACK	1
24	1330494GT	DECAL, COSMETIC, CHEVRON, 53 X 65 MM	1
25	1330495GT	DECAL, COSMETIC, COUNTERWEIGHT STRIP, 3644 X 71 MM	1
26	1330497GT	DECAL, COSMETIC, ELECTRIC, LEFT SIDE, 696 X 46 MM	1
27	1330499GT	DECAL, COSMETIC, HYBRID, LEFT SIDE, 696 X 46 MM	1
28	1331284GT	DECAL, NOTICE, CHARGER INSTRUCTIONS	1
		English decal	
28B	1331284FRGT	DECAL, NOTICE, CHARGER INSTRUCTIONS	1
		French decal	
29	1331346GT	DECAL, DIAGRAM, CONNECTION, BATTERY, S-85 XC HYBRID/ELECTRIC	1
		English decal	
29B	1331346FRGT	DECAL, DIAGRAM, CONNECTION, BATTERY, S-85 XC HYBRID/ELECTRIC	1
		French decal	
30	1331374GT	DECAL, INSTRUCTIONS, OPERATION, HYBRID-ELECTRIC	1
		English decal	
30B	1331374FRGT	DECAL, INSTRUCTIONS, OPERATION, HYBRID-ELECTRIC	1
		French decal	
31	1331375GT	DECAL, BATTERY, MAIN, 48V	1
		English decal	
31B	1331375FRGT	DECAL, BATTERY, MAIN, 48V	1
		French decal	
32	1331376GT	DECAL, BATTERY, AUXILLARY, 48V	1
		English decal	
32B	1331376FRGT	DECAL, BATTERY, AUXILLARY, 48V	1
		French decal	
33	1331509GT	DECAL, CONTACTOR BOX LAYOUT, S-85 XC HYBRID/ELECTRIC	1
		English decal	
33B	1331509FRGT	DECAL, CONTACTOR BOX LAYOUT, S-85 XC HYBRID/ELECTRIC	1
		French decal	
34	1331511GT	DECAL, DANGER, BATTERY AND CHARGER SAFETY	1
		English decal	
34B	1331511FRGT	DECAL, DANGER, BATTERY AND CHARGER SAFETY	1
		French decal	
35	1331565GT	DECAL, WORD, NO PRESSURE WASHING	2
		English decal	
35B	1331565FRGT	DECAL, WORD, NO PRESSURE WASHING	2
		French decal	
36	1331739GT	DECAL, BATTERY DISCONNECT	1
		English decal	
36B	1331739FRGT	DECAL, BATTERY DISCONNECT	1
		French decal	



101.1 Decals with Word, Battery Side



NOTE:
Part numbers with "(FR)"
indicates French translation
is available

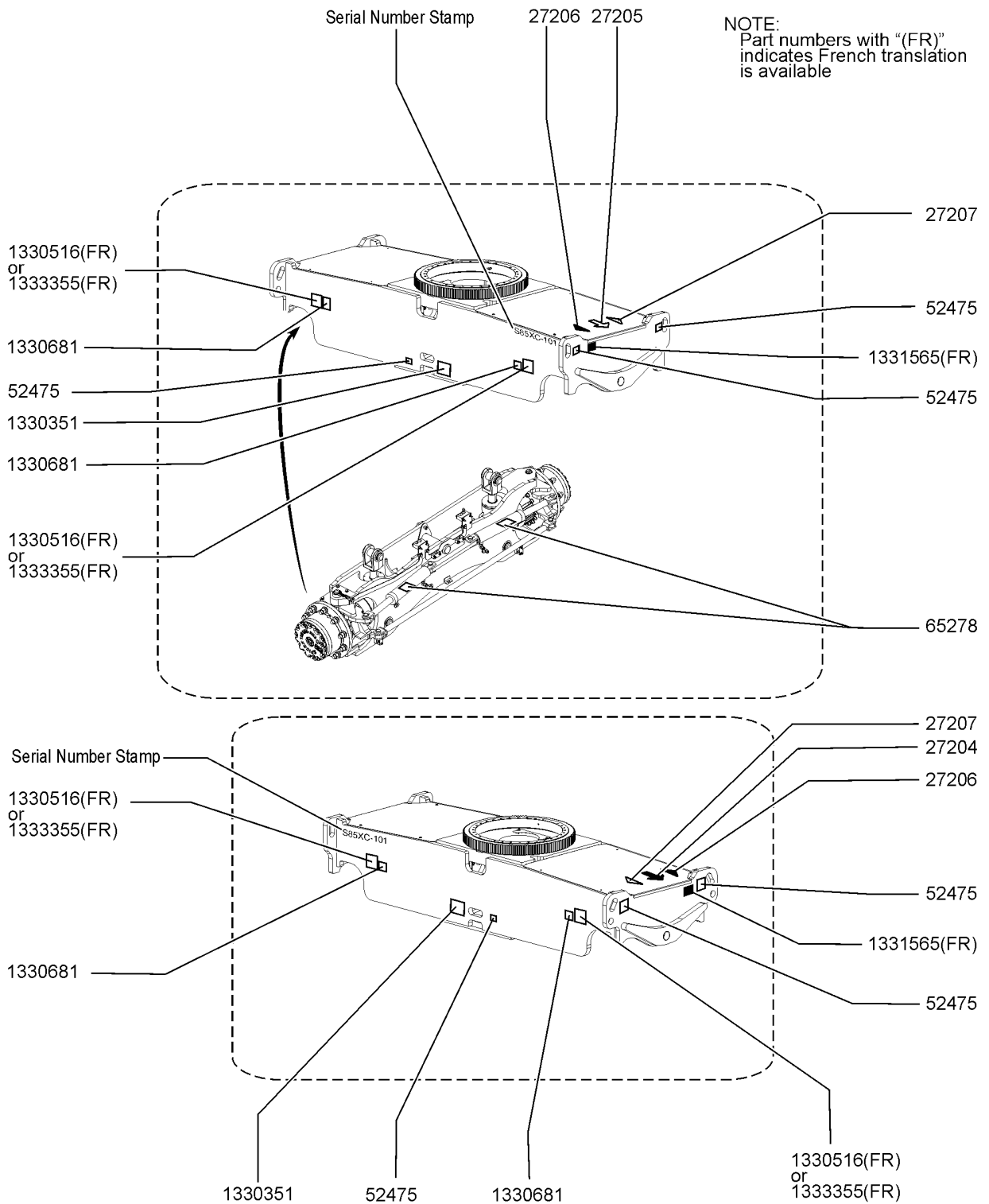


101.1 Decals with Word, Battery Side

Item	Part No.	Description	Qty.
37	1331791GT	DECAL, DANGER, ELECTRICAL HAZARD, PLUG English decal	1
37B	1331791FRGT	DECAL, DANGER, ELECTRICAL HAZARD, PLUG French decal	1
38	1332241GT	DECAL, COSMETIC, LIFT POWER, GENERATOR, 192 X 27 MM	2
39	1332639GT	DECAL, COSMETIC, ELECTRIC, LEFT SIDE, WHITE, 696 X 46 MM	1
40	1332641GT	DECAL, COSMETIC, HYBRID, LEFT SIDE, WHITE, 696 X 46 MM	1
41	1332649GT	DECAL, COSMETIC, ELECTRIC, LEFT SIDE, BLACK, 696 X 46 MM	1
42	1332651GT	DECAL, COSMETIC, HYBRID, LEFT SIDE, BLACK, 696 X 46 MM	1
43	1332659GT	DECAL, COSMETIC, ELECTRIC, LEFT SIDE, BLUE, 696 X 46 MM	1
44	1332661GT	DECAL, COSMETIC, HYBRID, LEFT SIDE, BLUE, 696 X 46 MM	1
45	1332785GT	DECAL, RECEPTACLE, CHARGING, NEMA 5-15	1
46	1332786GT	DECAL, RECEPTACLE, CHARGING, SAE J1772, 230VAC, 32A	1
47	1332787GT	DECAL, RECEPTACLE, CHARGING, IEC 62196 TYPE 2	1
48	1332788GT	DECAL, RECEPTACLE, CHARGING, IEC 60309, 230VAC, 16A	1
49	1333106GT	DECAL, RECEPTACLE, CHARGING, AS/NSZ 3112 TYPE 1, 250VAC, 15A	1
50	1333862GT	DECAL, COSMETIC, TECH^PRO LINK	1
51	1336886GT	DECAL, RECEPTACLE, CHARGING, IEC, 60309, 110VAC, 16A	1



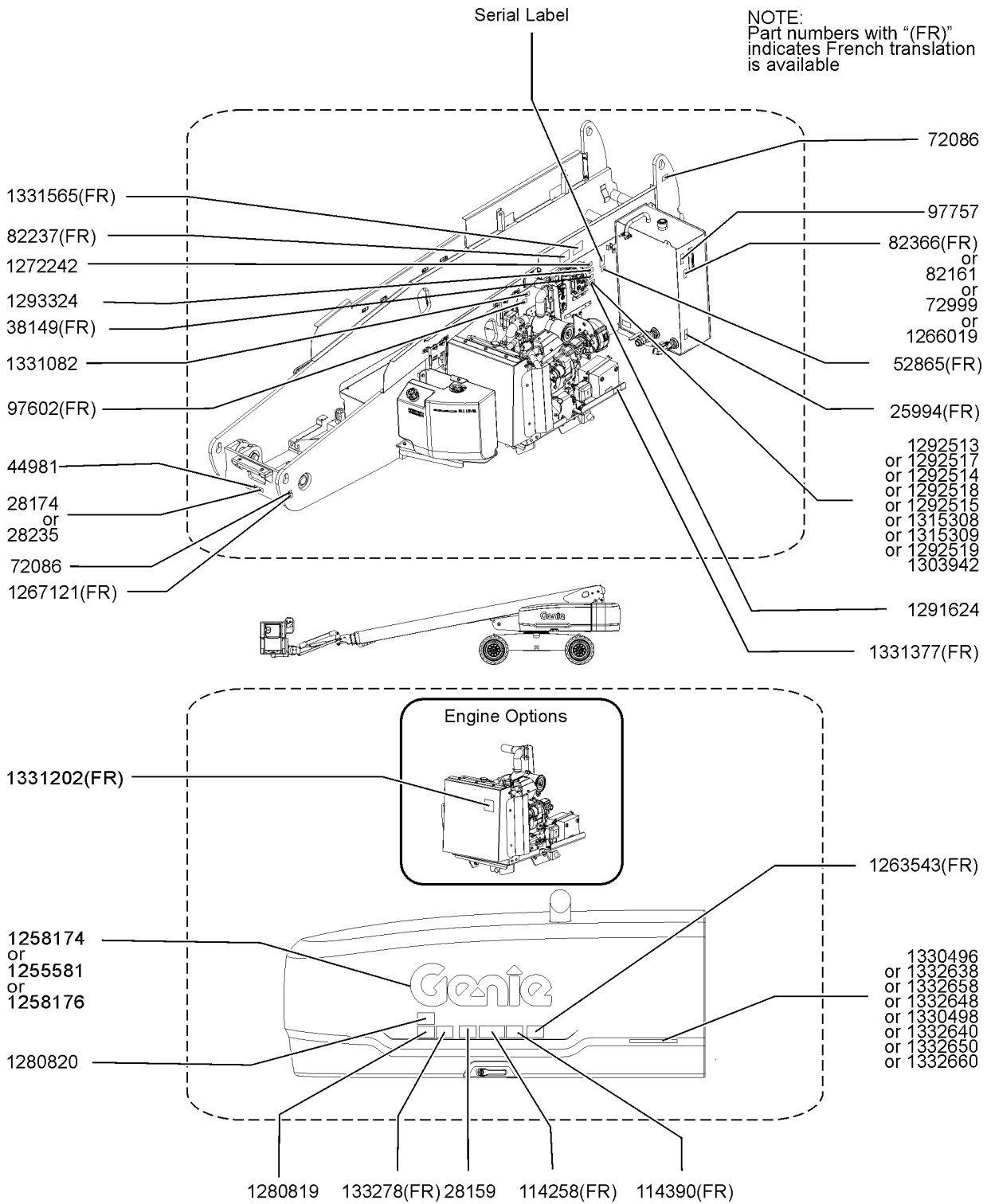
102.1 Decals with Word, Chassis



Item	Part No.	Description	Qty.
1	27204GT	DECAL,ARROW BLUE	1
2	27205GT	DECAL,ARROW YELLOW LRG 9"	1
3	27206GT	DECAL,TRIANGLE,BLUE	2
4	27207GT	DECAL,TRIANGLE,YELLOW	2
5	52475GT	DECAL,LABEL,TRANSPORT TIEDOWN*	6
6	65278GT	DECAL,CAUTION,NO STEP	2
7	1330351GT	DECAL, TRANSPORT/LIFTING, S-85 XC HYBRID/ELECTRIC	2
8	1330516GT	DECAL, DANGER, TIRE SPECS, S-85 XC HYBRID/ELECTRIC	4
		English decal	
8B	1330516FRGT	DECAL, DANGER, TIRE SPECS, S-85 XC HYBRID/ELECTRIC	4
		French decal	
9	1330681GT	DECAL, LABEL, WHEEL LOAD, S-85 XC HYBRID/ELECTRIC	4
10	1331565GT	DECAL, WORD, NO PRESSURE WASHING	2
		English decal	
10B	1331565FRGT	DECAL, WORD, NO PRESSURE WASHING	
		French decal	
11	1333355GT	DECAL, DANGER, SPECS, TIRE, SOLID, S-85XC HYBRID/ELECTRIC	4
		English decal	
11B	1333355FRGT	DECAL, DANGER, SPECS, TIRE, SOLID, S-85XC HYBRID/ELECTRIC	4
		French decal	



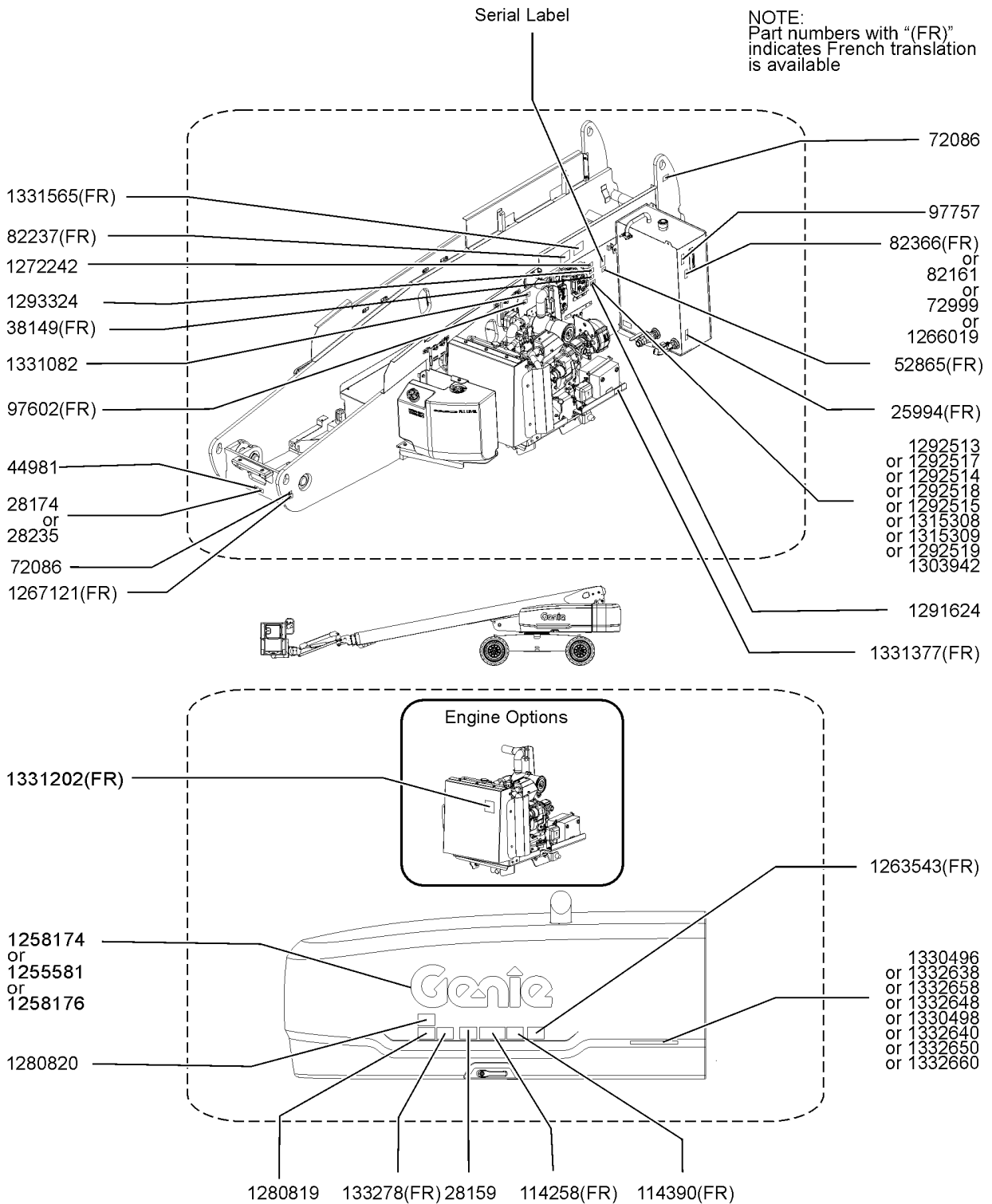
103.1 Decals with Word, Engine Side



Item	Part No.	Description	Qty.
1	25994GT	DECAL,NOTICE,SHUTOFF VALVES English decal	1
1B	25994FRGT	DECAL,CAUTION,SHUTOFF VALVES French decal	1
2	28159GT	DECAL,DIESEL	1
3	28174GT	DECAL,POWER TO PLATFORM 230V	1
5	28235GT	DECAL,POWER TO PLATFORM 115V	1
6	38149GT	DECAL,LABEL,PATENTS English decal	1
6B	38149FRGT	DECAL,LABEL,PATENTS,FRENCH French decal	1
7	44981GT	DECAL,LABEL,AIRLINE 110 PSI	1
8	52865GT	DECAL,ANNUAL INSP*** English decal	1
8B	52865FRGT	DECAL,ANNUAL INSP French decal	1
9	72086GT	DECAL,LABEL,LIFTING EYE	2
10	72999GT	DECAL,LABEL,PETRO CANADA***	1
11	82161GT	DECAL,LABEL,UCON HYDROLUBE	1
12	82237GT	DECAL,DANGER,HIGH VOLTAGE English decal	1
12B	82237FRGT	DECAL,DANGER,HIGH VOLTAGE French decal	1
13	82366GT	DECAL,CHEVRON RANDO HD English decal	1
13B	82366FRGT	DECAL,LABEL,CHEVRON RANDO French decal	1
14	97602GT	DECAL,EXPLOSION HAZARD English decal	1
14B	97602FRGT	DECAL,WARNING,EXPLOSION,ETHER,FRENCH French decal	1
15	97757GT	DECAL,LABEL,OIL LEVEL IND	1
16	114258GT	DECAL,DANGER,NO SMOKING English decal	1
16B	114258FRGT	DECAL,DANGER,EXPLOSION,NO SMOK French decal	1
17	114390GT	DECAL,DANGER,ELECT HAZARD*** English decal	1
17B	114390FRGT	DECAL,DANGER,ELECT HAZARD French decal	1
18	133278GT	DECAL,LOW/ULTRA LOW SULFR FUEL English decal	1
18B	133278FRGT	DECAL,LOW/ULTRA LOW SULFR FUEL,FR French decal	1
19	1255581GT	DECAL,COSMETIC, 10" GENIE BLUE	1
20	1258174GT	DECAL, COSMETIC, 10", GENIE WHITE	1



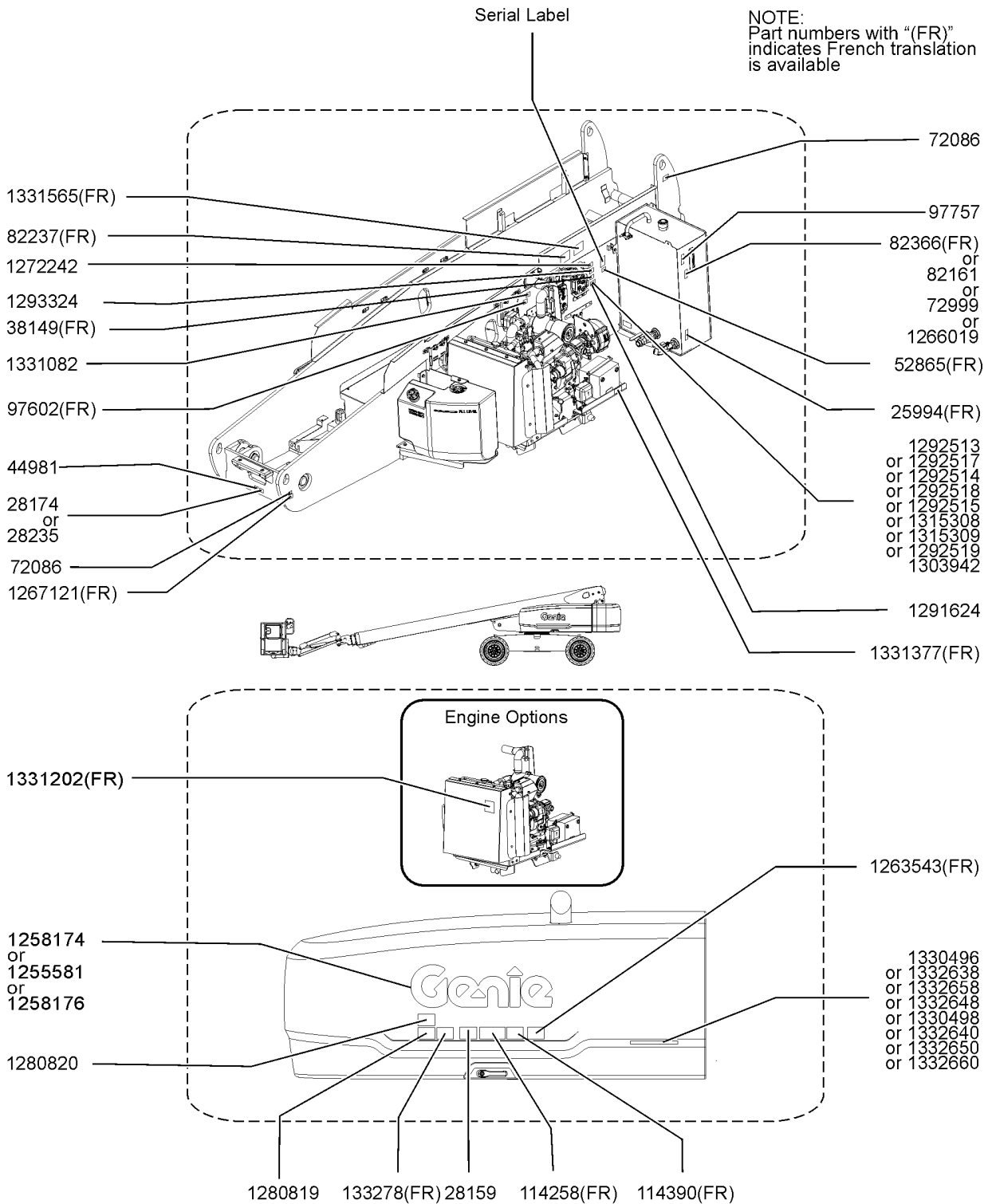
103.1 Decals with Word, Engine Side



Item	Part No.	Description	Qty.
21	1258176GT	DECAL, COSMETIC, 10", GENIE BLACK	1
22	1263543GT	DECAL, COMPARTMENT ACCESS English decal	1
22B	1263543FRGT	DECAL, IMPROPER OPERATION, FR French decal	1
23	1266019GT	DECAL, LABEL, SHELL TELLUS	1
24	1267121GT	DECAL, BOOM SUPPORT English decal	1
24B	1267121FRGT	DECAL, BOOM SUPPORT, FRENCH French decal	1
25	1272242GT	DECAL, MACHINE REGISTRATION/OWNER TRANSFER	1
26	1280819GT	DECAL, WARNING, CANCER AND REPRODUCTIVE HARM, PROP 65	1
27	1280820GT	DECAL, FUEL, DIESEL EXHAUST, PROP 65	1
28	1291624GT	DECAL COSM, GENIE LIFT CONNECT, LEXAN COVER	1
29	1292513GT	DECAL COSM, GENIE LIFT CONNECT, ESN, SKU4-2	1
30	1292514GT	DECAL COSM, GENIE LIFT CONNECT, ESN, SKU4-3	1
31	1292515GT	DECAL COSM, GENIE LIFT CONNECT, ESN, SKU4-4	1
32	1292517GT	DECAL COSM, GENIE LIFT CONNECT, IMEI, SKU4-2	1
33	1292518GT	DECAL COSM, GENIE LIFT CONNECT, IMEI, SKU4-3	1
34	1292519GT	DECAL COSM, GENIE LIFT CONNECT, IMEI, SKU4-4	1
35	1293324GT	DECAL, ICES-2/CAN-2 COMPLIANCE	1
36	1303942GT	DECAL, TRACKER ESN	1
37	1315308GT	DECAL COSM, GENIE LIFT CONNECT, ESN, SKU4-5	1
38	1315309GT	DECAL COSM, GENIE LIFT CONNECT, IMEI, SKU4-5	1
39	1330496GT	DECAL, COSMETIC, ELECTRIC, RIGHT SIDE, 696 X 46 MM	1
40	1330498GT	DECAL, COSMETIC, HYBRID, RIGHT SIDE, 696 X 46 MM	1
41	1331082GT	DECAL, CENTER THE RAW AIR HOSE, S-85 XC HYBRID/ELECTRIC	1
42	1331202GT	DECAL, SPECIFICATIONS, ENGINE, KUBOTA, D1105-E4B English decal	1
42B	1331202FRGT	DECAL, SPECIFICATIONS, ENGINE, KUBOTA, D1105-E4B French decal	1
43	1331377GT	DECAL, BATTERY, STARTER, ENGINE, 12V English decal	1
43B	1331377FRGT	DECAL, BATTERY, STARTER, ENGINE, 12V French decal	1



103.1 Decals with Word, Engine Side

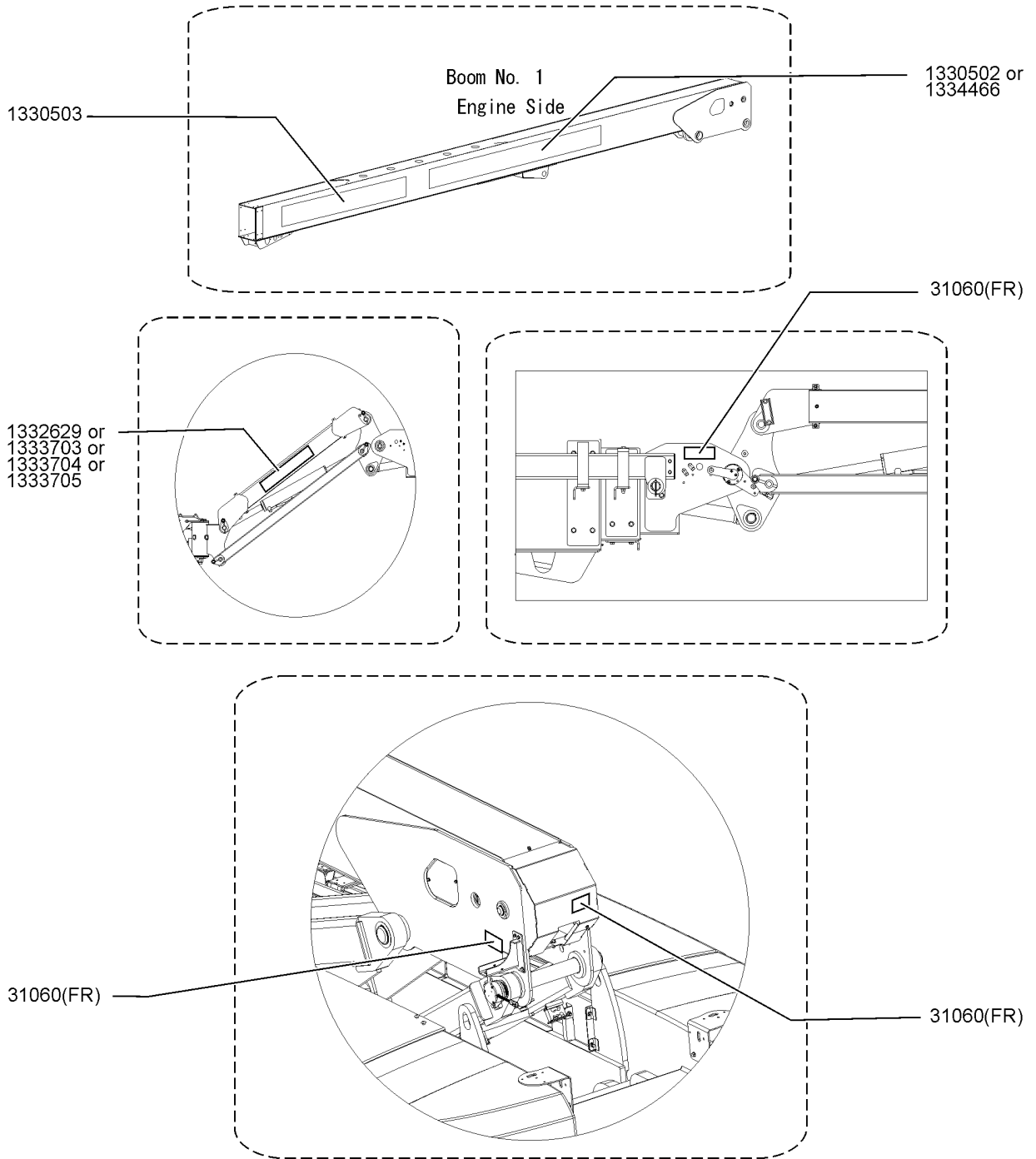


103.1 Decals with Word, Engine Side

<i>Item</i>	<i>Part No.</i>	<i>Description</i>	<i>Qty.</i>
44	1331565GT	DECAL, WORD, NO PRESSURE WASHING English decal	1
44B	1331565FRGT	DECAL, WORD, NO PRESSURE WASHING French decal	1
45	1332638GT	DECAL, COSMETIC, ELECTRIC, RIGHT SIDE, WHITE, 696 X 46 MM	1
46	1332640GT	DECAL, COSMETIC, HYBRID, RIGHT SIDE, WHITE, 696 X 46 MM	1
47	1332648GT	DECAL, COSMETIC, ELECTRIC, RIGHT SIDE, BLACK, 696 X 46 MM	1
48	1332650GT	DECAL, COSMETIC, HYBRID, RIGHT SIDE, BLACK, 696 X 46 MM	1
49	1332658GT	DECAL, COSMETIC, ELECTRIC, RIGHT SIDE, BLUE, 696 X 46 MM	1
50	1332660GT	DECAL, COSMETIC, HYBRID, RIGHT SIDE, BLUE, 696 X 46 MM	1



104.1 Decals with Word, Boom

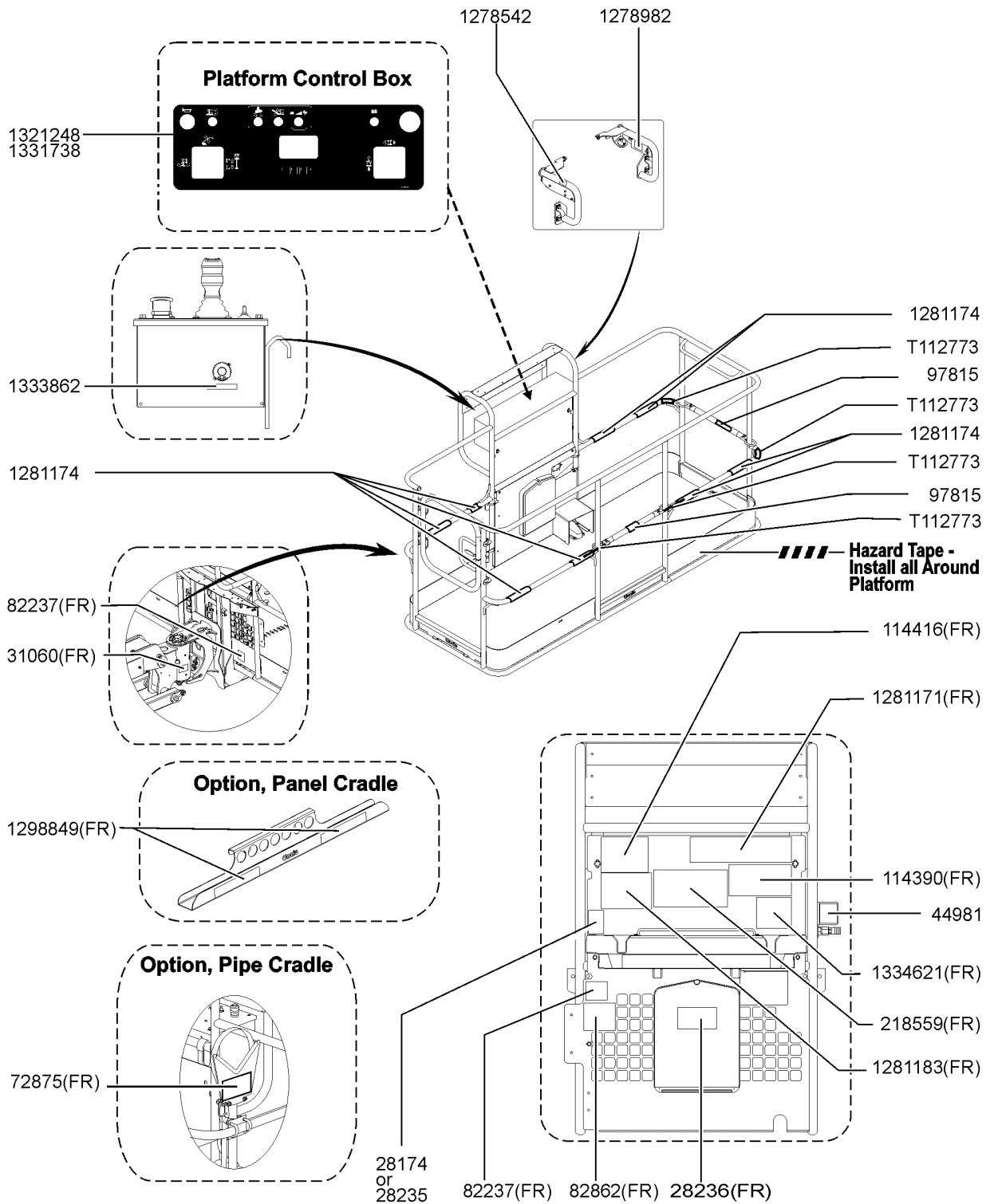


104.1 Decals with Word, Boom

<i>Item</i>	<i>Part No.</i>	<i>Description</i>	<i>Qty.</i>
1	31060GT	DECAL,DANGER DO NOT ALTER SWTC English decal	3
1B	31060FRGT	DECAL,DANGER-TIP OVR,LIMSWITCH French decal	3
2	1330502GT	DECAL, COSMETIC, BOLT S-85 XC FE, 2150 X 404 MM	1
3	1330503GT	DECAL, COSMETIC, GENIE, WHITE, 716 X 215 MM	1
4	1332629GT	DECAL, COSMETIC, LIFT POWER, JIB, 625 X 88 MM	1
5	1333703GT	DECAL, COSMETIC, LIFT POWER, JIB, WHITE, 625 X 88 MM	1
6	1333704GT	DECAL, COSMETIC, LIFT POWER, JIB, BLACK, 625 X 88 MM	1
7	1333705GT	DECAL, COSMETIC, LIFT POWER, JIB, BLUE, 625 X 88 MM	1
8	1334466GT	DECAL, COSMETIC, BOLT S-85 XC E, 1997 X 404 MM	1



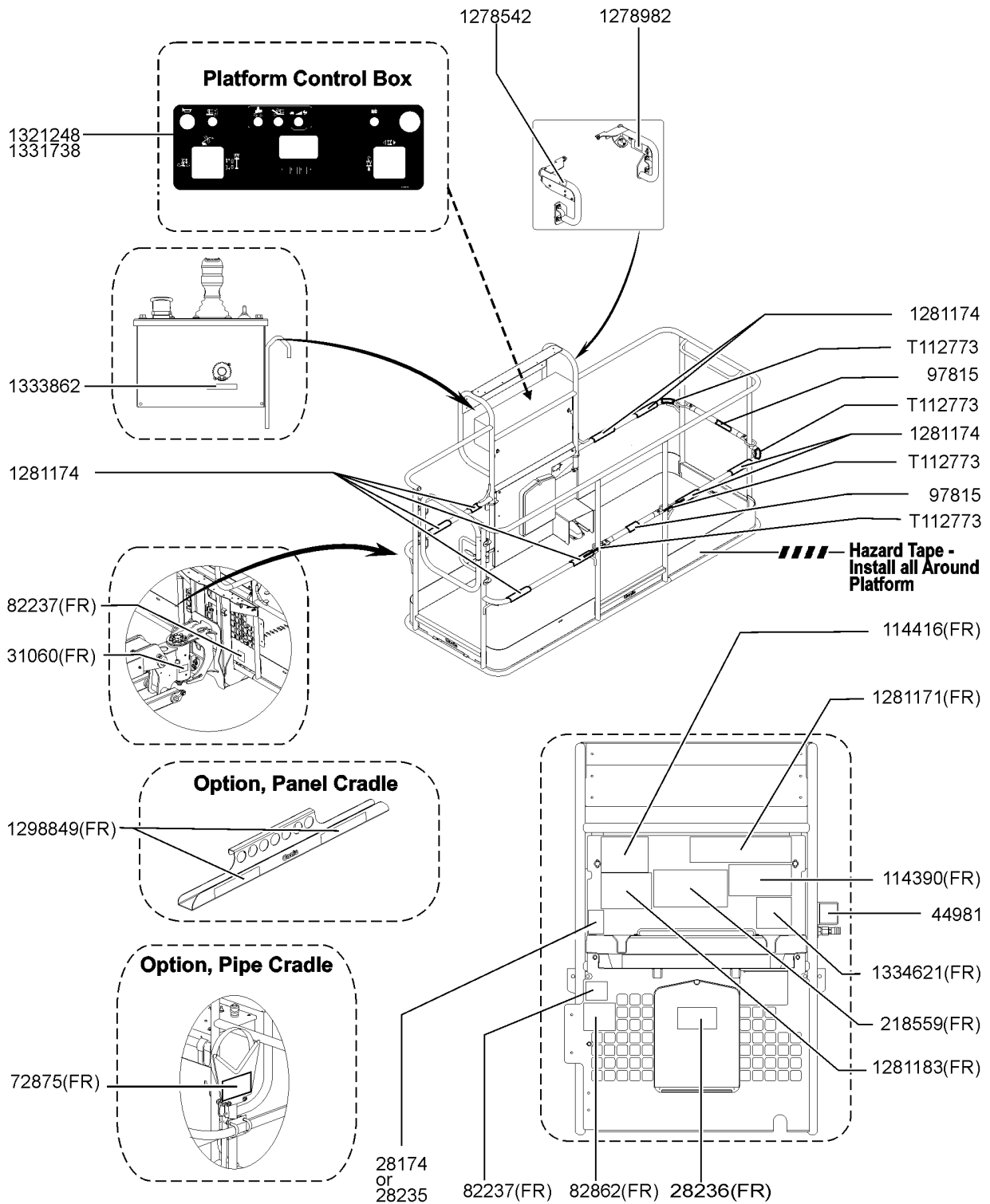
105.1 Decals with Word, Platform



Item	Part No.	Description	Qty.
1	28174GT	DECAL,POWER TO PLATFORM 230V	1
2	28235GT	DECAL,POWER TO PLATFORM 115V	1
3	28236GT	DECAL,WARN,IMPROPER OPERATION	1
		English decal	
3B	28236FRGT	WARN,FAILURE READ MANUAL	1
		French decal	
4	31060GT	DECAL,DANGER DO NOT ALTER SWTC	1
		English decal	
4B	31060FRGT	DECAL,DANGER-TIP OVR,LIMSWITCH	1
		French decal	
5	44981GT	DECAL,LABEL,AIRLINE 110 PSI	1
6	72875GT	DECAL,WARNING,PIPE CRADLE,BOOM	2
		English decal	
6B	72875FRGT	DECAL,WARNING,PIPE CRADLE,BOOM	2
		French decal	
7	82237GT	DECAL,DANGER,HIGH VOLTAGE	2
		English decal	
7B	82237FRGT	DECAL,DANGER,HIGH VOLTAGE	2
		French decal	
8	82862GT	DECAL,FIRE EXTINGUISHER	1
		English decal	
8B	82862FRGT	DECAL,FIRE EXTINGUISHER	1
		French decal	
9	97815GT	DECAL,LABEL,LOWER MIDRAIL	2
10	114390GT	DECAL,DANGER,ELECT HAZARD***	1
		English decal	
10B	114390FRGT	DECAL,DANGER,ELECT HAZARD	1
		French decal	
11	114416GT	DECAL,DANGER,TIPOVER,TILT	1
		English decal	
11B	114416FRGT	DECAL,DANGER,TIPOVER,TILT	1
		French decal	
12	218559GT	DECAL,DANGER/WARNING COMBO	1
		English decal	
12B	218559FRGT	DECAL,DANGER/WARN COMBO	1
		French decal	
13	1278542GT	DECAL, INSTRUCTION, CONTACT ALARM	1
14	1278982GT	DECAL, INSTRUCTION, ACTUATOR SWITCH SOCKET	1
15	1281171GT	DECAL,DANGER,CAPACITY S-85 XC,WORD	1
		English decal	
15B	1281171FRGT	DECAL,DANGER,CAPACITY S-85 XC,WORD,FR	1
		French decal	
16	1281174GT	DECAL,LANYARD,FALL ARREST/FALL RESTRAINED	8
17	1281183GT	DECAL,WARNING,RUNAWAY MACHINE,WORD	1
		English decal	
17B	1281183FRGT	DECAL,WARNING,RUNAWAY MACHINE,WORD	1
		French decal	
18	1298849GT	DECAL, WORD, PANEL CRADLE	2
		English decal	



105.1 Decals with Word, Platform

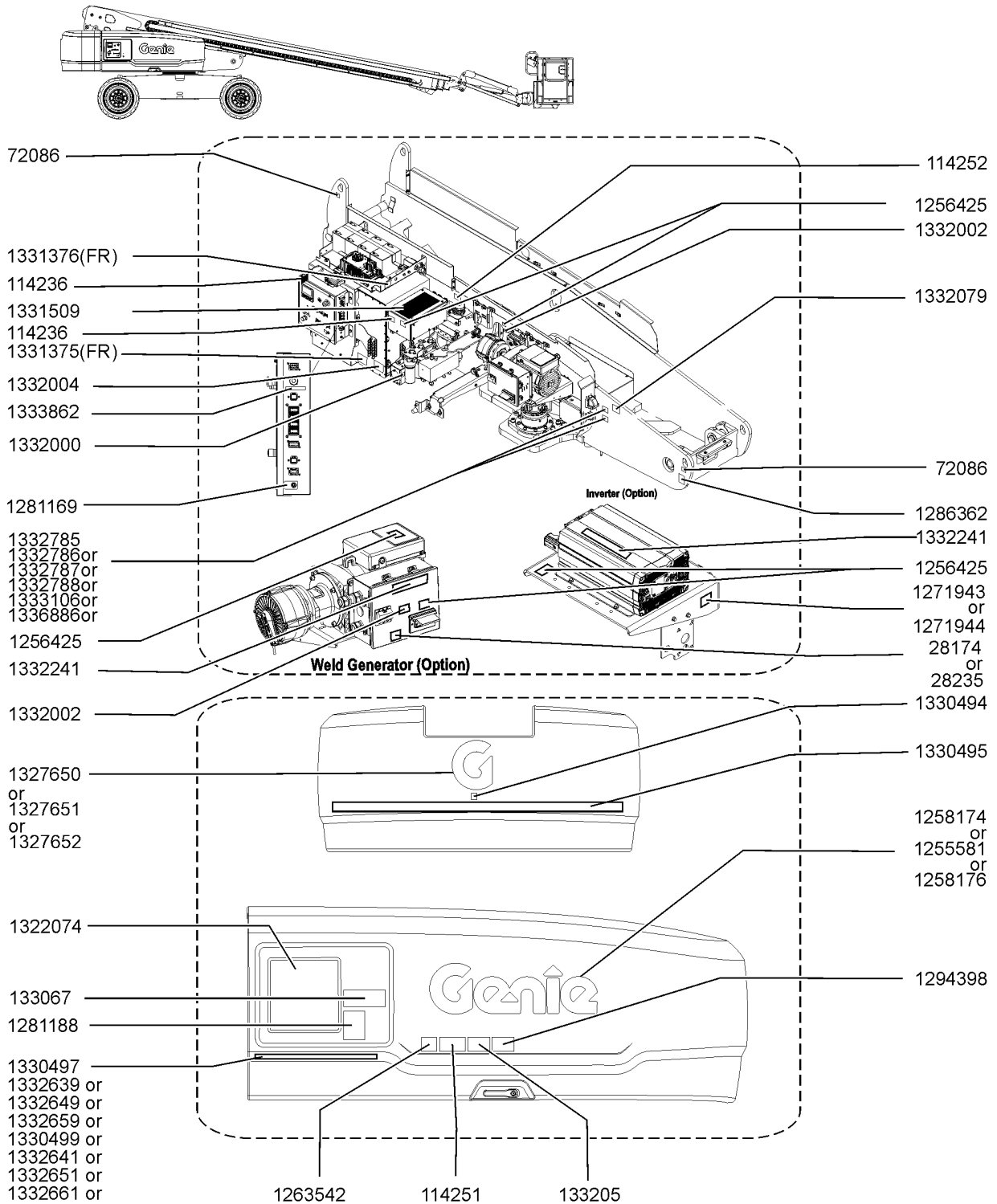


105.1 Decals with Word, Platform

<i>Item</i>	<i>Part No.</i>	<i>Description</i>	<i>Qty.</i>
18B	1298849FRGT	DECAL, WORD, PANEL CRADLE French decal	2
19	1321248GT	DECAL, PLATFORM CONTROL BOX	1
20	1331738GT	DECAL, PROTECTIVE, CLEAR, PLATFORM BOX	1
21	1333862GT	DECAL, COSMETIC, TECH^PRO LINK	1
22	1334621GT	DECAL, DANGER, HAZARD, TIP-OVER, WELDER English decal	1
22B	1334621FRGT	DECAL, DANGER, HAZARD, TIP-OVER, WELDER French decal	1
23	T112773GT	TAPE, PROTECTIVE MASK	4



106.1 Decals with Symbol, Battery Side

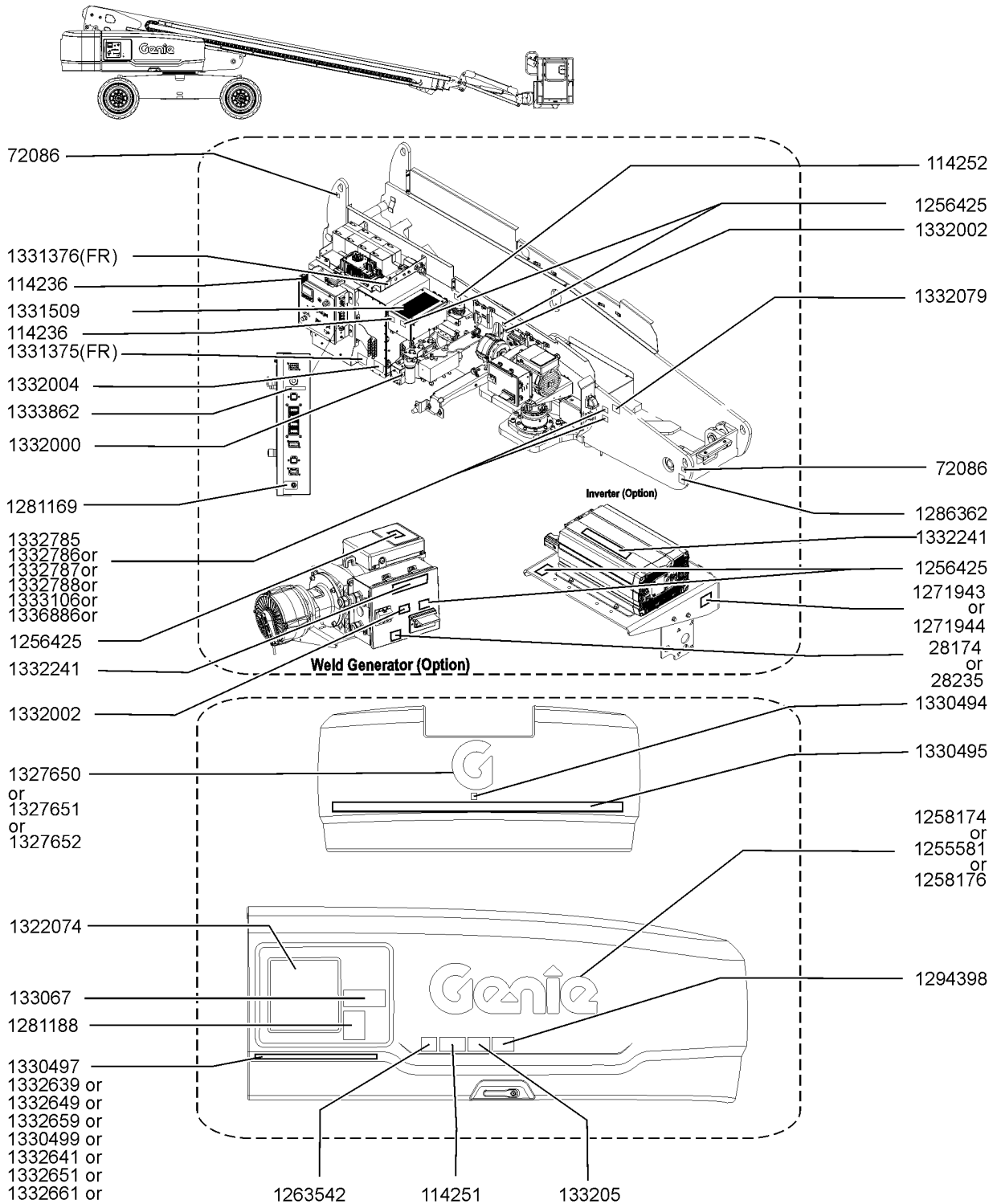


106.1 Decals with Symbol, Battery Side

Item	Part No.	Description	Qty.
1	28174GT	DECAL,POWER TO PLATFORM 230V	1
2	28235GT	DECAL,POWER TO PLATFORM 115V	1
3	72086GT	DECAL,LABEL,LIFTING EYE	2
4	114236GT	DECAL,LABEL,CB SYMBOL	2
5	114251GT	DECAL,LABEL,NO SMOKING,SYMB	1
6	114252GT	DECAL,LABEL,TIP OVER LMT SWTCH	1
7	133067GT	DECAL,DANGER,ELEC.HAZ.STAY CLR	1
8	133205GT	DECAL,LABEL, ELECTRO HAZARD	1
9	1255581GT	DECAL,COSMETIC, 10" GENIE BLUE	1
10	1256425GT	DECAL, DANGER, ELECTROCUTION HAZARD, SYMBOL	5
11	1258174GT	DECAL, COSMETIC, 10", GENIE WHITE	1
12	1258176GT	DECAL, COSMETIC, 10", GENIE BLACK	1
13	1263542GT	DECAL,IMPROPER OPERATION,SYMBOL	1
14	1271943GT	LABEL, AC INVERTER POWER, 115V AC, 15A	1
15	1271944GT	LABEL, AC INVERTER POWER, 220V AC, 9A	1
16	1281169GT	DECAL,RECOVERY SWITCH	1
17	1281188GT	DECAL,EMERGENCY LOWERING	1
18	1286362GT	DECAL, BOOM SUPPORT, SYMBOL	1
19	1294398GT	DECAL, ANSI/CSA COMPLIANT	1
20	1322074GT	DECAL, GROUND CONTROL BOX	1
21	1327650GT	DECAL,COSMETIC,"G" WHITE	1
22	1327651GT	DECAL,COSMETIC,"G" BLUE	1
23	1327652GT	DECAL,COSMETIC,"G" BLACK	1
24	1330494GT	DECAL, COSMETIC, CHEVRON, 53 X 65 MM	1
25	1330495GT	DECAL, COSMETIC, COUNTERWEIGHT STRIP, 3644 X 71 MM	1
26	1330497GT	DECAL, COSMETIC, ELECTRIC, LEFT SIDE, 696 X 46 MM	1
27	1330499GT	DECAL, COSMETIC, HYBRID, LEFT SIDE, 696 X 46 MM	1
28	1331375GT	DECAL, BATTERY, MAIN, 48V	1
		English decal	



106.1 Decals with Symbol, Battery Side

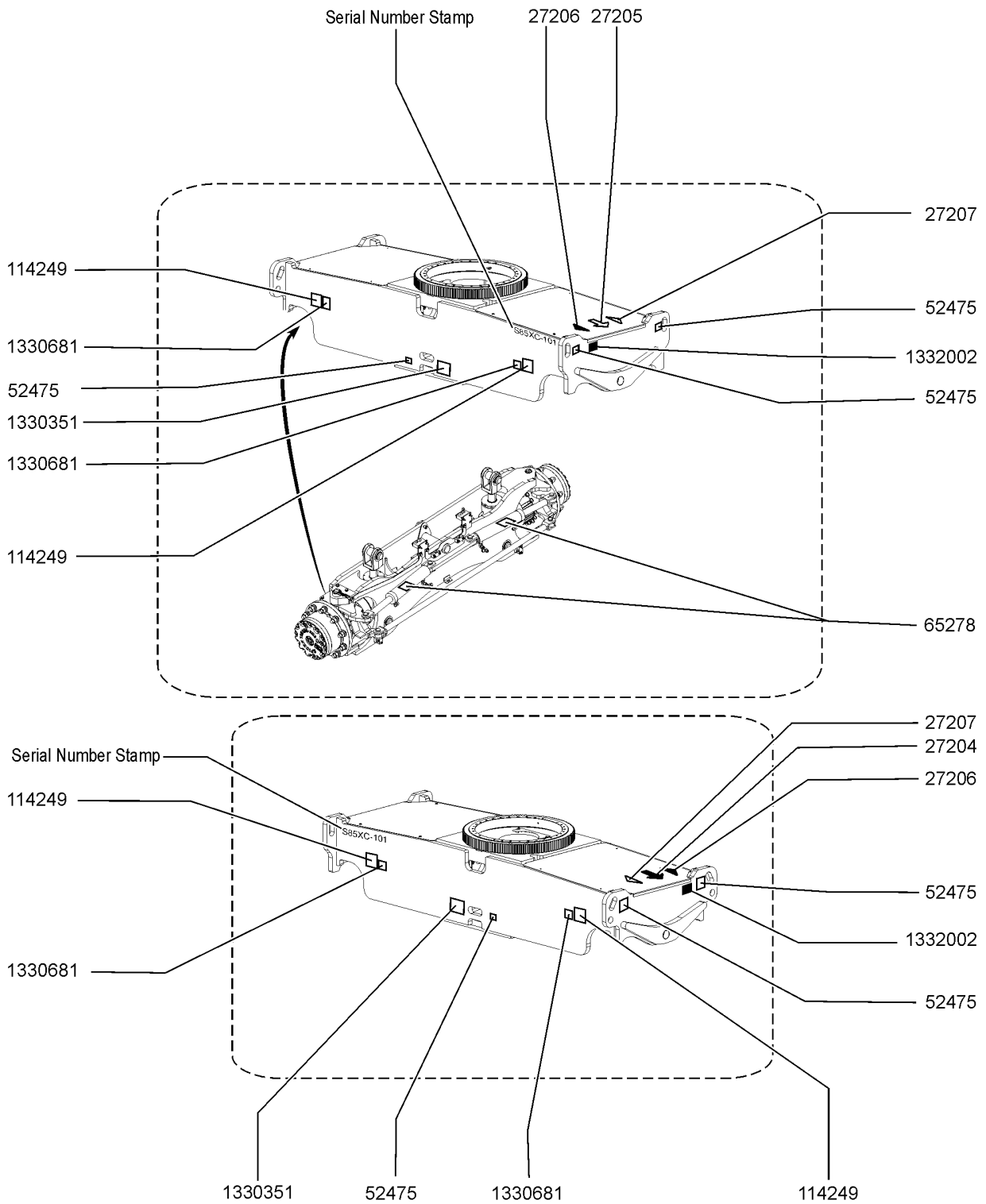


106.1 Decals with Symbol, Battery Side

Item	Part No.	Description	Qty.
28B	1331375FRGT	DECAL, BATTERY, MAIN, 48V	1
29	1331376GT	French decal DECAL, BATTERY, AUXILLARY, 48V	1
29B	1331376FRGT	English decal DECAL, BATTERY, AUXILLARY, 48V	1
30	1331509GT	French decal DECAL, CONTACTOR BOX LAYOUT, S-85 XC HYBRID/ELECTRIC	1
31	1332000GT	DECAL, SYMBOL, BATTERY DISCONNECT	1
32	1332002GT	DECAL, SYMBOL, NO PRESSURE WASHING	2
33	1332004GT	DECAL, SYMBOL, BATTERY AND CHARGER SAFETY	1
34	1332079GT	DECAL, SYMBOL, ELECTRICAL HAZARD, PLUG	1
35	1332241GT	DECAL, COSMETIC, LIFT POWER, GENERATOR, 192 X 27 MM	2
36	1332639GT	DECAL, COSMETIC, ELECTRIC, LEFT SIDE, WHITE, 696 X 46 MM	1
37	1332641GT	DECAL, COSMETIC, HYBRID, LEFT SIDE, WHITE, 696 X 46 MM	1
38	1332649GT	DECAL, COSMETIC, ELECTRIC, LEFT SIDE, BLACK, 696 X 46 MM	1
39	1332651GT	DECAL, COSMETIC, HYBRID, LEFT SIDE, BLACK, 696 X 46 MM	1
40	1332659GT	DECAL, COSMETIC, ELECTRIC, LEFT SIDE, BLUE, 696 X 46 MM	1
41	1332661GT	DECAL, COSMETIC, HYBRID, LEFT SIDE, BLUE, 696 X 46 MM	1
42	1332785GT	DECAL, RECEPTACLE, CHARGING, NEMA 5-15	1
43	1332786GT	DECAL, RECEPTACLE, CHARGING, SAE J1772, 230VAC, 32A	1
44	1332787GT	DECAL, RECEPTACLE, CHARGING, IEC 62196 TYPE 2	1
45	1332788GT	DECAL, RECEPTACLE, CHARGING, IEC 60309, 230VAC, 16A	1
46	1333106GT	DECAL, RECEPTACLE, CHARGING, AS/NSZ 3112 TYPE 1, 250VAC, 15A	1
47	1333862GT	DECAL, COSMETIC, TECH^PRO LINK	1
48	1336886GT	DECAL, RECEPTACLE, CHARGING, IEC, 60309, 110VAC, 16A	1



107.1 Decals with Symbol, Chassis

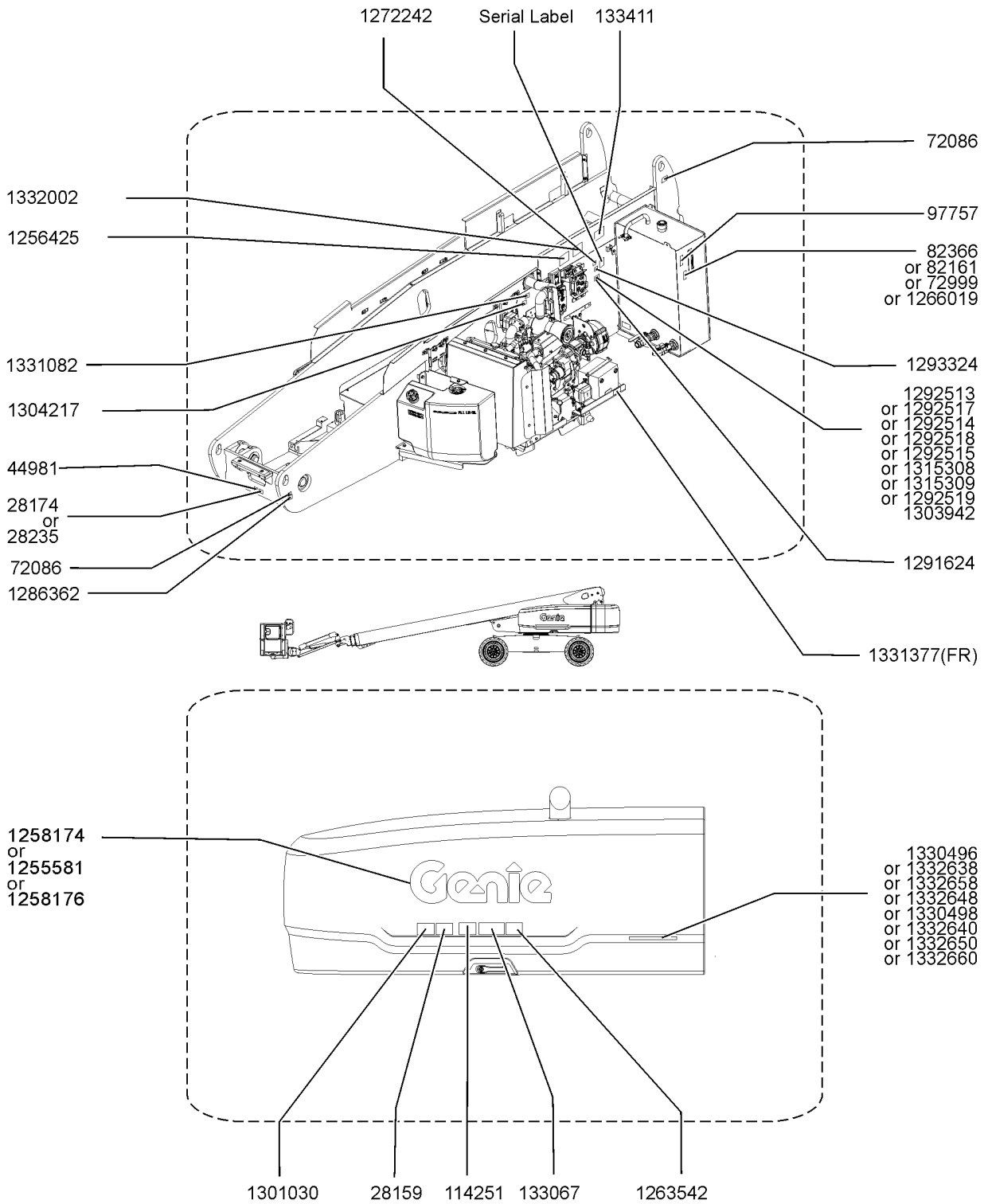


107.1 Decals with Symbol, Chassis

<i>Item</i>	<i>Part No.</i>	<i>Description</i>	<i>Qty.</i>
1	27204GT	DECAL,ARROW BLUE	1
2	27205GT	DECAL,ARROW YELLOW LRG 9"	1
3	27206GT	DECAL,TRIANGLE,BLUE	2
4	27207GT	DECAL,TRIANGLE,YELLOW	2
5	52475GT	DECAL,LABEL,TRANSPORT TIEDOWN*	6
6	65278GT	DECAL,CAUTION,NO STEP	2
7	114249GT	DECAL,LABEL,TIPOVER,TIRES,SYMB	4
8	1330351GT	DECAL, TRANSPORT/LIFTING, S-85 XC HYBRID/ELECTRIC	2
9	1330681GT	DECAL, LABEL, WHEEL LOAD, S-85 XC HYBRID/ELECTRIC	4
10	1332002GT	DECAL, SYMBOL, NO PRESSURE WASHING	2



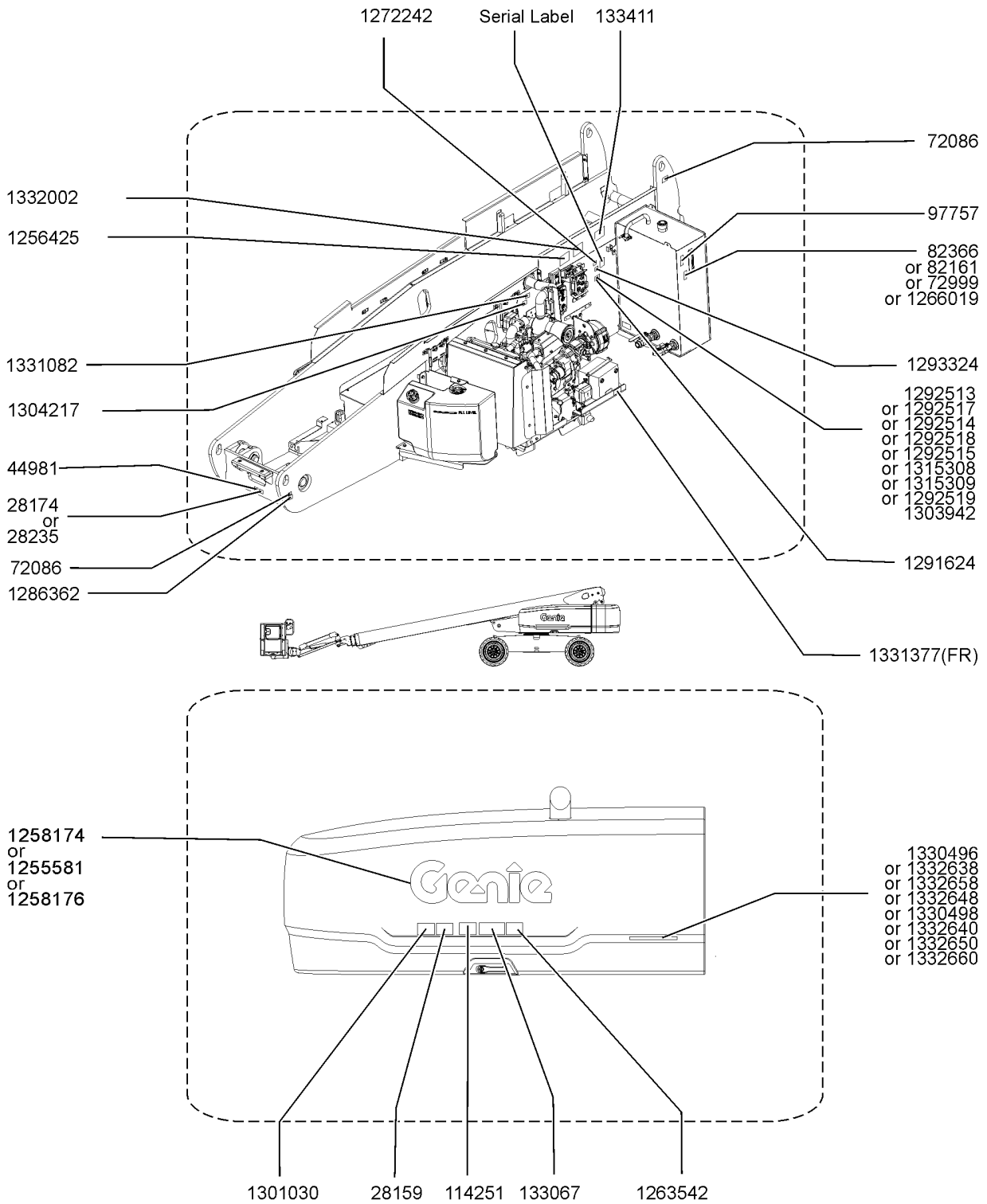
108.1 Decals with Symbol, Engine Side



Item	Part No.	Description	Qty.
1	28159GT	DECAL,DIESEL	1
2	28174GT	DECAL,POWER TO PLATFORM 230V	1
3	28235GT	DECAL,POWER TO PLATFORM 115V	1
4	44981GT	DECAL,LABEL,AIRLINE 110 PSI	1
5	72086GT	DECAL,LABEL,LIFTING EYE	2
6	72999GT	DECAL,LABEL,PETRO CANADA***	1
7	82161GT	DECAL,LABEL,UCON HYDROLUBE	1
8	82366GT	DECAL,CHEVRON RANDO HD	1
9	97757GT	DECAL,LABEL,OIL LEVEL IND	1
10	114251GT	DECAL,LABEL,NO SMOKING,SYMB	1
11	133067GT	DECAL,DANGER,ELEC.HAZ.STAY CLR	1
12	133411GT	DECAL,LABEL,106 DB***	1
13	1255581GT	DECAL,COSMETIC, 10" GENIE BLUE	1
14	1256425GT	DECAL, DANGER, ELECTROCUTION HAZARD, SYMBOL	1
15	1258174GT	DECAL, COSMETIC, 10", GENIE WHITE	1
16	1258176GT	DECAL, COSMETIC, 10", GENIE BLACK	1
17	1263542GT	DECAL,IMPROPER OPERATION,SYMBOL	1
18	1266019GT	DECAL, LABEL, SHELL TELLUS	1
19	1272242GT	DECAL,MACHINE REGISTRATION/OWNER TRANSFER	1
20	1286362GT	DECAL, BOOM SUPPORT, SYMBOL	1
21	1291624GT	DECAL COSM,GENIE LIFT CONNECT,LEXAN COVER	1
22	1292513GT	DECAL COSM,GENIE LIFT CONNECT,ESN,SKU4-2	1
23	1292514GT	DECAL COSM,GENIE LIFT CONNECT,ESN,SKU4-3	1
24	1292515GT	DECAL COSM,GENIE LIFT CONNECT,ESN,SKU4-4	1
25	1292517GT	DECAL COSM,GENIE LIFT CONNECT,IMEI,SKU4-2	1
26	1292518GT	DECAL COSM,GENIE LIFT CONNECT,IMEI,SKU4-3	1
27	1292519GT	DECAL COSM,GENIE LIFT CONNECT,IMEI,SKU4-4	1
28	1293324GT	DECAL, ICES-2/CAN-2 COMPLIANCE	1



108.1 Decals with Symbol, Engine Side

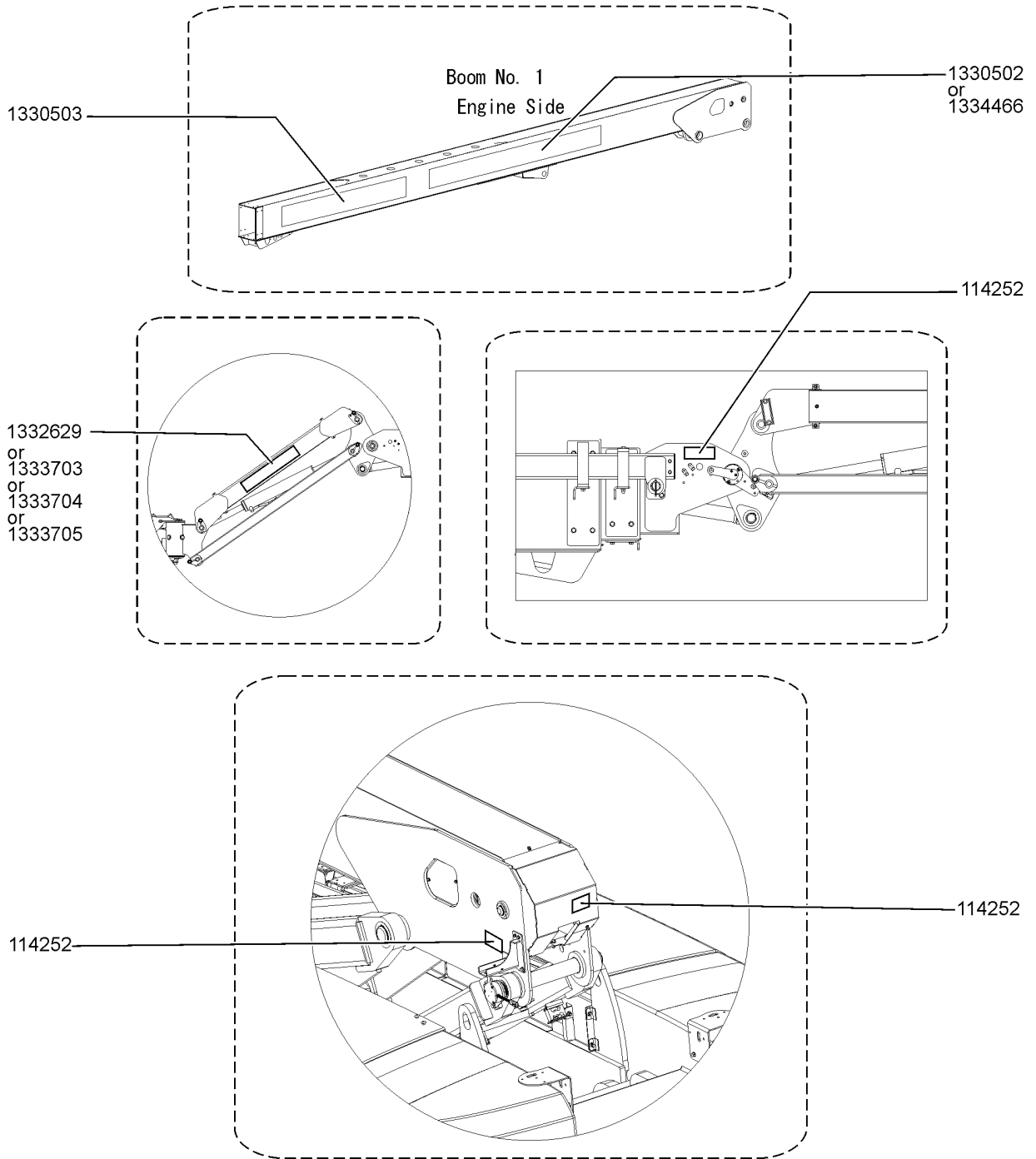


108.1 Decals with Symbol, Engine Side

<i>Item</i>	<i>Part No.</i>	<i>Description</i>	<i>Qty.</i>
29	1301030GT	DECAL, LABEL, ULSD DIESEL FUEL	1
30	1303942GT	DECAL, TRACKER ESN	1
31	1304217GT	DECAL, EXPLOSION HAZARD	1
32	1315308GT	DECAL COSM,GENIE LIFT CONNECT,ESN,SKU4-5	1
33	1315309GT	DECAL COSM,GENIE LIFT CONNECT,IMEI,SKU4-5	1
34	1330496GT	DECAL, COSMETIC, ELECTRIC, RIGHT SIDE, 696 X 46 MM	1
35	1330498GT	DECAL, COSMETIC, HYBRID, RIGHT SIDE, 696 X 46 MM	1
36	1331082GT	DECAL, CENTER THE RAW AIR HOSE, S-85 XC HYBRID/ELECTRIC	1
37	1331377GT	DECAL, BATTERY, STARTER, ENGINE, 12V	1
		English decal	
37B	1331377FRGT	DECAL, BATTERY, STARTER, ENGINE, 12V	1
		French decal	
38	1332002GT	DECAL, SYMBOL, NO PRESSURE WASHING	1
39	1332638GT	DECAL, COSMETIC, ELECTRIC, RIGHT SIDE, WHITE, 696 X 46 MM	1
40	1332640GT	DECAL, COSMETIC, HYBRID, RIGHT SIDE, WHITE, 696 X 46 MM	1
41	1332648GT	DECAL, COSMETIC, ELECTRIC, RIGHT SIDE, BLACK, 696 X 46 MM	1
42	1332650GT	DECAL, COSMETIC, HYBRID, RIGHT SIDE, BLACK, 696 X 46 MM	1
43	1332658GT	DECAL, COSMETIC, ELECTRIC, RIGHT SIDE, BLUE, 696 X 46 MM	1
44	1332660GT	DECAL, COSMETIC, HYBRID, RIGHT SIDE, BLUE, 696 X 46 MM	1



109.1 Decals with Symbol, Boom

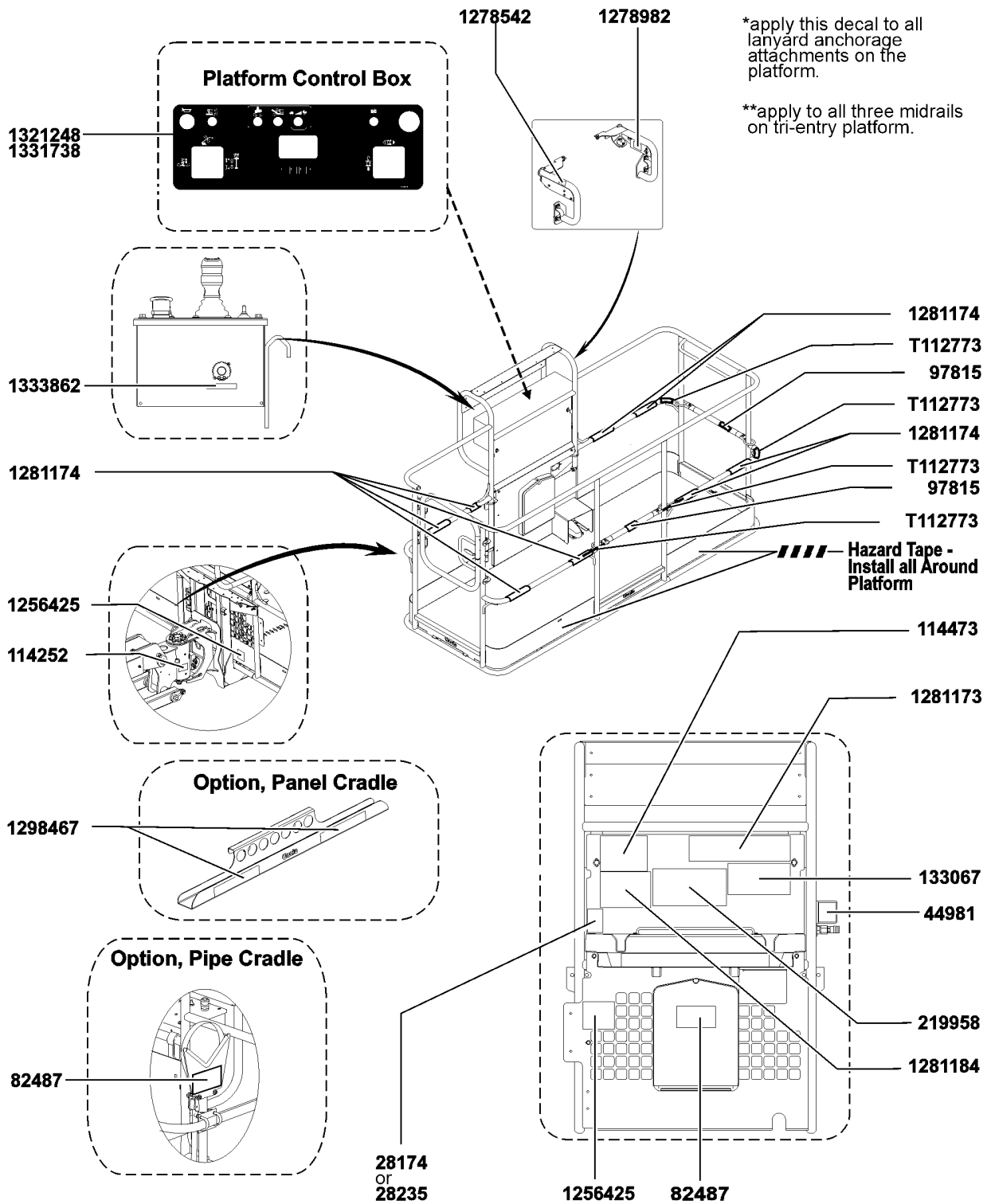


109.1 Decals with Symbol, Boom

<i>Item</i>	<i>Part No.</i>	<i>Description</i>	<i>Qty.</i>
1	114252GT	DECAL,LABEL,TIP OVER LMT SWTCH	3
2	1330503GT	DECAL, COSMETIC, GENIE, WHITE, 716 X 215 MM	1
3	1330502GT	DECAL, COSMETIC, BOLT S-85 XC FE, 2150 X 404 MM	1
4	1332629GT	DECAL, COSMETIC, LIFT POWER, JIB, 625 X 88 MM	1
5	1333703GT	DECAL, COSMETIC, LIFT POWER, JIB, WHITE, 625 X 88 MM	1
6	1333704GT	DECAL, COSMETIC, LIFT POWER, JIB, BLACK, 625 X 88 MM	1
7	1333705GT	DECAL, COSMETIC, LIFT POWER, JIB, BLUE, 625 X 88 MM	1
8	1334466GT	DECAL, COSMETIC, BOLT S-85 XC E, 1997 X 404 MM	1



110.1 Decals with Symbol, Platform

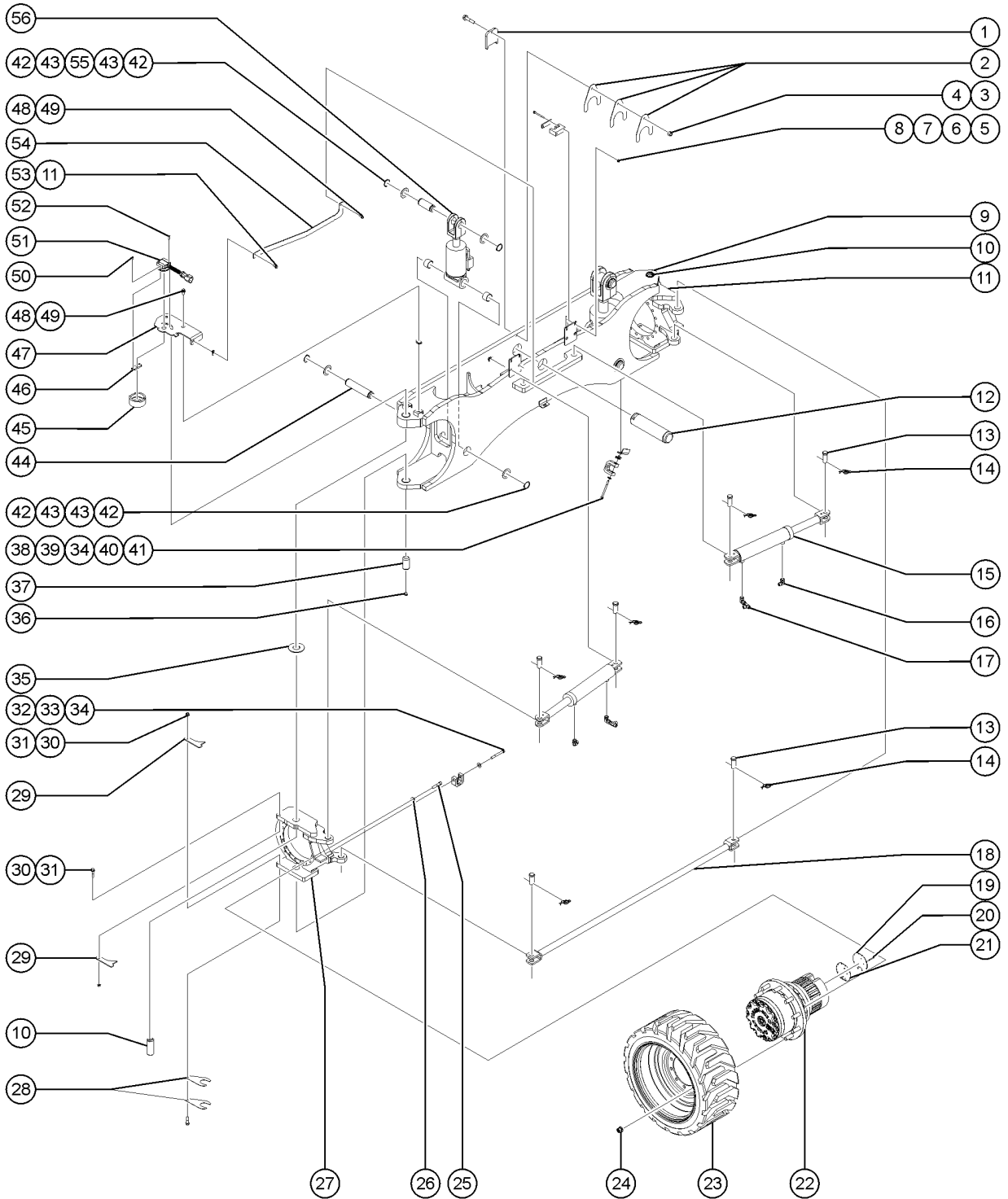


110.1 Decals with Symbol, Platform

<i>Item</i>	<i>Part No.</i>	<i>Description</i>	<i>Qty.</i>
1	28174GT	DECAL,POWER TO PLATFORM 230V	1
2	28235GT	DECAL,POWER TO PLATFORM 115V	1
3	44981GT	DECAL,LABEL,AIRLINE 110 PSI	1
4	82487GT	DECAL, SYMBOL - READ THE MANUAL	3
5	97815GT	DECAL,LABEL,LOWER MIDRAIL	2
6	114252GT	DECAL,LABEL,TIP OVER LMT SWTCH	1
7	114473GT	DECAL,DANGER,TIPOVER,TILT,SYM	1
8	133067GT	DECAL,DANGER,ELEC.HAZ.STAY CLR	1
9	219958GT	DECAL,TIP-OVER,CRUSH	1
10	1256425GT	DECAL, DANGER, ELECTROCUTION HAZARD, SYMBOL	2
11	1278542GT	DECAL, INSTRUCTION, CONTACT ALARM	1
12	1278982GT	DECAL, INSTRUCTION, ACTUATOR SWITCH SOCKET	1
13	1281173GT	DECAL,DANGER,CAPICITY S-85 XC,SYMBOL	1
14	1281174GT	DECAL,LANYARD,FALL ARREST/FALL RESTRAINED	8
15	1281184GT	DECAL,WARNING,RUNAWAY MACHINE,SYMBOL	1
16	1298467GT	DECAL, SYMBOL, READ THE MANUAL, 2.38x1.25	2
17	1321248GT	DECAL, PLATFORM CONTROL BOX	1
18	1331738GT	DECAL, PROTECTIVE, CLEAR, PLATFORM BOX	1
19	1333862GT	DECAL, COSMETIC, TECH^PRO LINK	1
20	T112773GT	TAPE, PROTECTIVE MASK	4



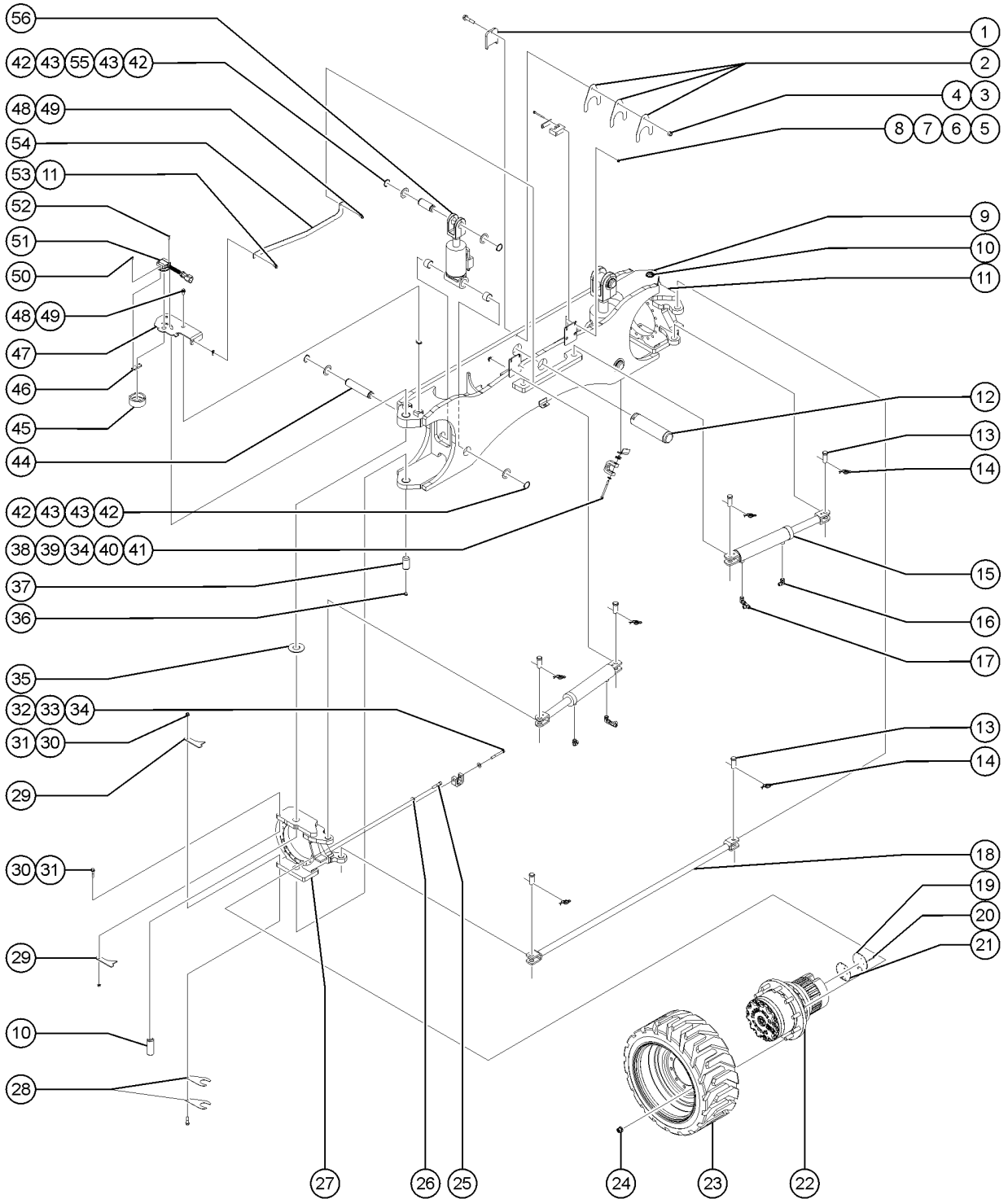
201.1 Steer End



Item	Part No.	Description	Qty.
-	1320685GT	ASSEMBLY, SENSOR, STEER (included items 45,46,47,50,51,52)	1
1	1325258GT	PLATE,RETAINER,PIN	1
2	1320193GT	SHIM, AXLE, FORK	3
3	1274320GT	NUT,NYLOCK,1/2-13,C,ZAG	1
4	1255802GT	SCREW,HHF,1/2-13X2.5,8,ZAG	1
5	1277924GT	NUT,NYLOCK FLG,1/4-20,F,ZAG	12
6	1320198GT	CLAMP, AXLE	2
7	1320192GT	PLATE, CLAMP, CABLE	2
8	824084GT	SCREW, HHF, 1/4-20 X 3, 8, ZAG	4
9	1322519GT	ASSEMBLY, AXLE, FRONT WELDMENT WITH BEARINGS	1
9-	146264GT	BEARING, 1.5IDX1.75ODX2.00L	2
9-	18396GT	BEARING,1.5IDX1.75ODX1.0L	2
10	1318292GT	PIN, KING, SENSOR 1.50 X 3.55	2
11	1322521GT	ASSEMBLY, YOKE, RH, 18 HOLE WITH BEARINGS	1
11-	25817GT	BEARING,1.00IDX1.25ODX1.00L	2
12	1318293GT	PIN, 2.50DIA X 10.00LG, 1HOLE	1
13	824127GT	PIN, CLEVIS, SAE 1.0 X 2.41, ZAG	6
14	824129GT	RUE RING,1.0,ZAG	6
15	59460GT	CYLINDER,STEERING***	2
16	48915GT	ELBOW,90D,520220-6	4
17	48875GT	TEE,RUN,SWIVEL,520432-6	2
18	1320196GT	WELDMENT, TIE ROD	1
19	1320184GT	PLATE, COVER, AC MOTOR	4
20	824077GT	SCREW, HHF, 1/4-20 X .5, 8, ZAG	44
21	1320183GT	GASKET, MOTOR DRIVE	4
22	1314783GT	WHEEL DRIVE,MOTOR,AC IPM	4
22-	1337485GT	KIT, BEARING	
22-	1337484GT	SEAL KIT	



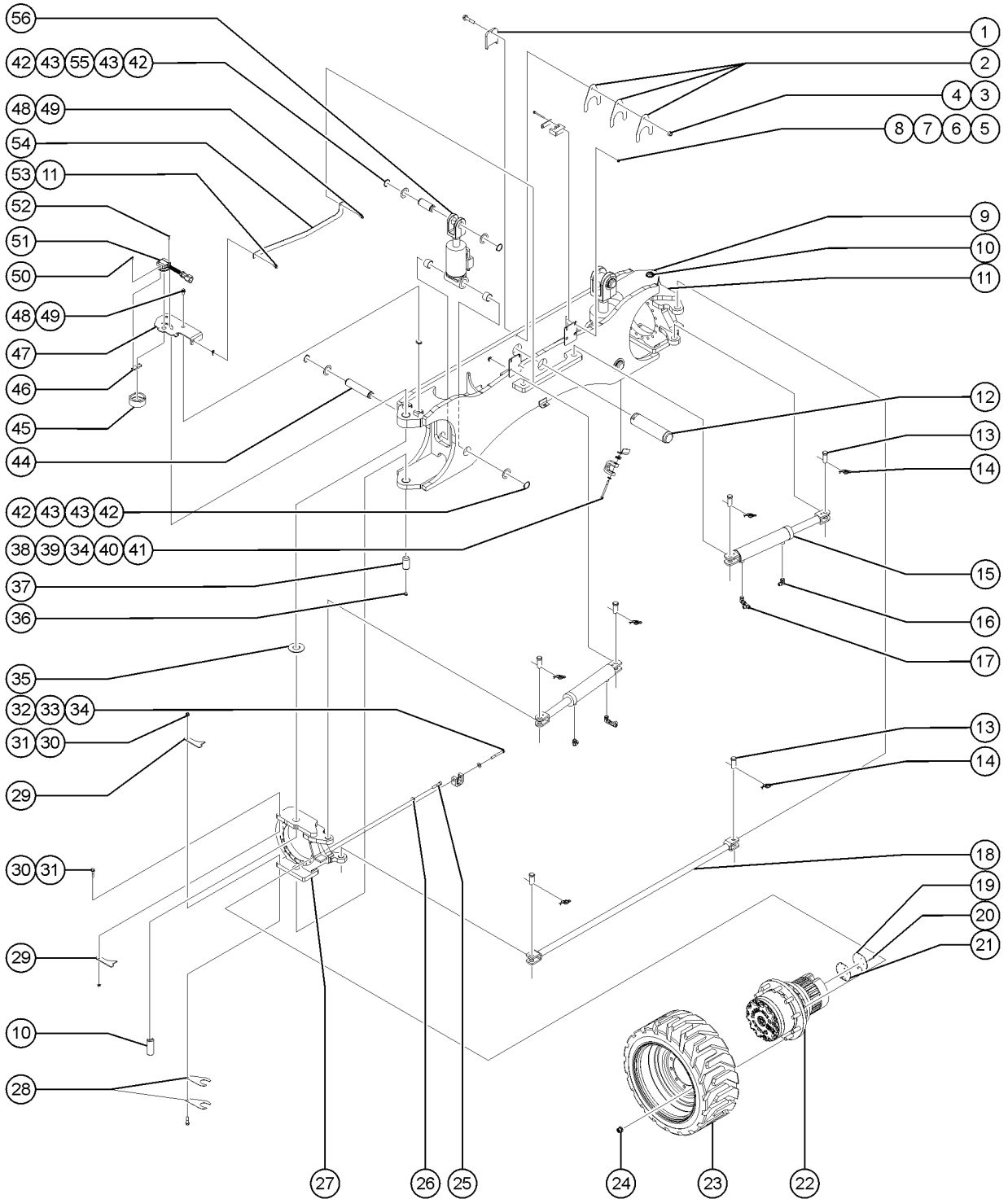
201.1 Steer End



Item	Part No.	Description	Qty.
22-	1337486GT	KIT, INPUT CARRIER SUBASSEMBLY	
22-	1337487GT	KIT, OUTPUT CARRIER SUBASSEMBLY	
22-	1337488GT	KIT, COVER SUBASSEMBLY	
22-	1337489GT	KIT, GEARBOX	
22-	1337490GT	KIT, BRAKE ASSEMBLY	
22-	1337491GT	KIT, MOTOR	
22-	1337521GT	STUD, M22	
23	1316314GT	ASSEMBLY, TIRE & WHEEL, XT, FOAM,LH	2
23B	1316317GT	ASSEMBLY, TIRE & WHEEL, XT, FOAM,RH	2
24	1318296GT	NUT,WHEEL,2PCFLANGE,M22-1.5,SAEJ694,10,ZAB	40
25	1264510GT	SCREW,SHC,1/2-13X2,A574,ZAG	64
26	825353GT	WASHER,FLAT,1/2,SAE,HRD,ZAG	64
27	1322522GT	ASSEMBLY, YOKE, LH, 18 HOLE WITH BEARINGS	1
27-	25817GT	BEARING,1.00IDX1.25ODX1.00L	2
28	1320195GT	SHIM, YOKE, FORK	2
29	1320197GT	PLATE, LOCK, PIN	4
30	824093GT	SCREW, HHF, 3/8-16 X 1.75, 8, ZAG	4
31	1274322GT	NUT,NYLOCK FLG,3/8-16,F,ZAG	4
32	824070GT	SCREW, HHC, 3/8-16 X 3.25, 8, ZAG	2
33	1255758GT	WASHER,FLAT,3/8,USS,ZAG	2
34	1325580GT	CLAMP, CABLES	4
35	45074GT	WASHER,THRUST,1.5 X 3.5 X .187	2
36	1263699GT	SCREW,HHC,3/8-16X.5,8,ZAG	2
37	1318291GT	PIN, KING, 1.50 X 2.88	2
38	1256123GT	SCREW,HHC,1/4-20X3.25,8,ZAG	2
39	824113GT	WASHER,FLAT,USS,1/4,ZAG	2
40	56912GT	SPRING CLIP,1/4-20,.025-.15X.54,ZAG	2
41	25847GT	ANGLE,CHASSIS COVER MOUNT	2



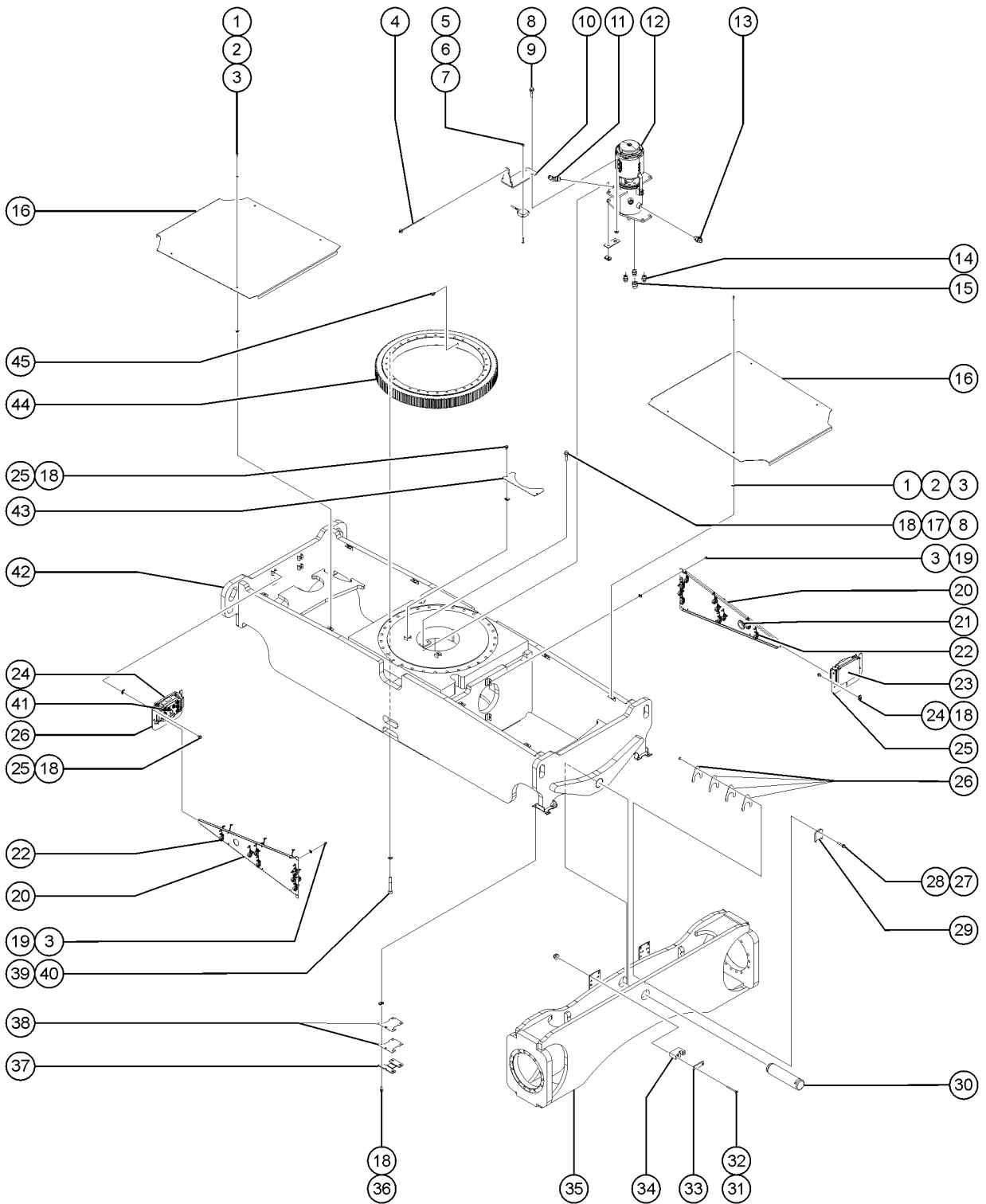
201.1 Steer End



<i>Item</i>	<i>Part No.</i>	<i>Description</i>	<i>Qty.</i>
42	1253815GT	SNAP RING,EXTERNAL,2.00,ZAG	8
43	237827GT	WASHER,FLAT,2.00X3.00X.075,ZAG	8
44	1316800GT	PIN,2.0DIAX9.75LG,2RING	2
45	1320686GT	SPACER, SENSOR	1
46	1324696GT	MACHINED,PLATE,MAGNET MOUNT	1
47	1320687GT	FORMING, TAPPED AL, ST. SENSOR	1
48	824089GT	SCREW, HHF, 3/8-16 X .75, 8, ZAG	5
49	29868GT	SPRING CLIP,3/8-16,.05-.20X.73,ZAG	5
50	237242GT	SCREW,FHS,M3-0.5X8,DIN7991,10.9,ZAB	2
51	1269766GT	ASSEMBLY, ROTARY SENSOR, 130 DEG, CW	1
52	237241GT	SCREW,FHS,M3-0.5X14,DIN7991,10.9,ZAB	2
53	824078GT	SCREW,HHF,1/4-20X.75,8,ZAG	1
54	1320688GT	PLATE, CABLE, STEERING	1
55	1316799GT	PIN,2.0DIAX5.38LG,2RING	2
56	1315993GT	CYLINDER, OSCILLATE	2
56-	33428GT	VALVE,COUNTERBALANCE	
56-	123893GT	VALVE,CB.CBCG-LJN@3400	
56-	18720GT	BEARING,2.0IDX2.25ODX1.50L	4

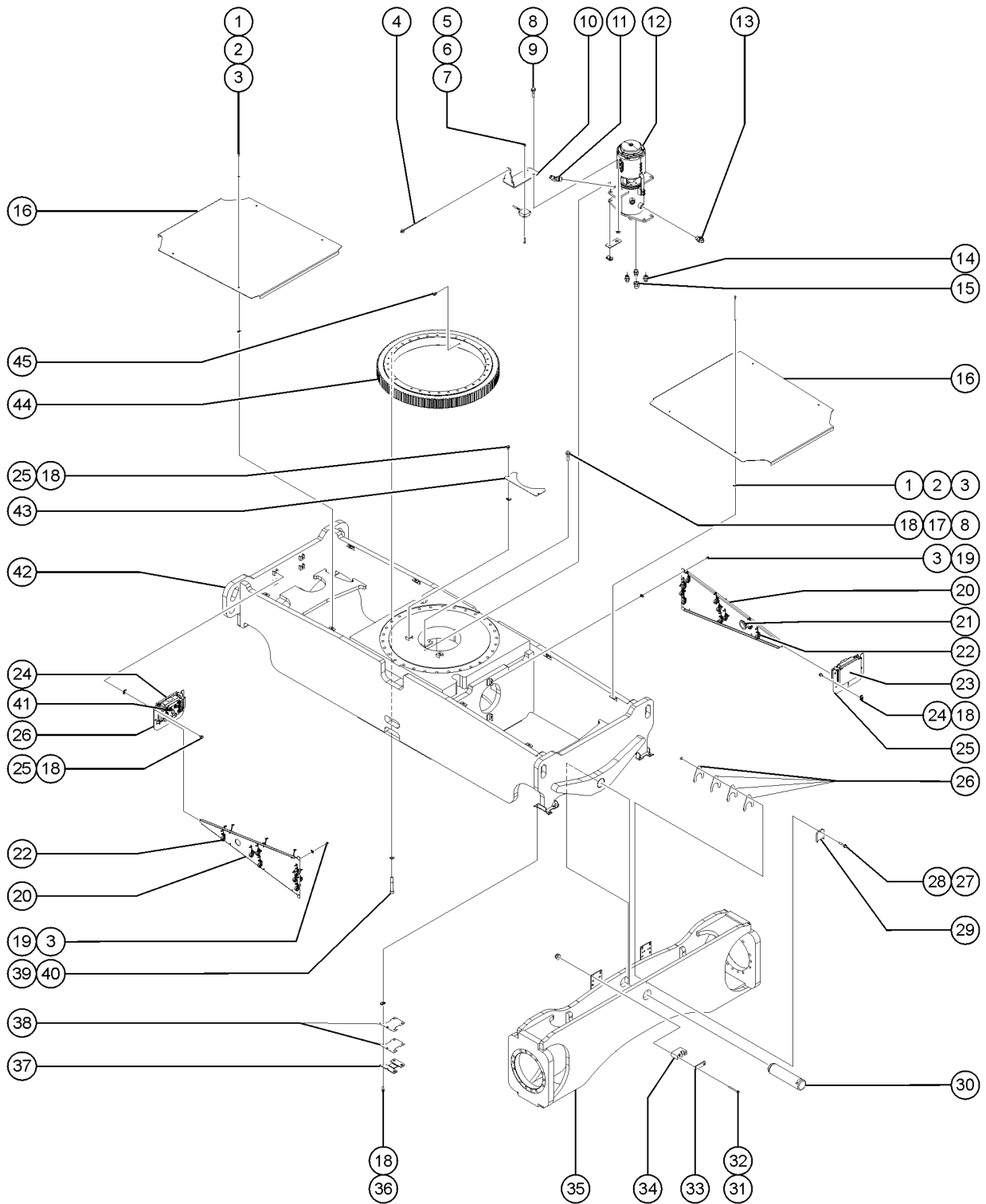


202.1 Axle Installation



<i>Item</i>	<i>Part No.</i>	<i>Description</i>	<i>Qty.</i>
1	824059GT	SCREW, HHC, 1/4-20 X .75, 8, ZAG	8
2	824113GT	WASHER, FLAT, USS, 1/4, ZAG	8
3	56912GT	SPRING CLIP, 1/4-20, .025-.15X.54, ZAG	12
4	110149GT	CABLE TIE, DFT MOUNT, BLK, 6.5"	2
5	1271081GT	NUT, NYLOCK, 8-32, 8, ZAG	2
6	1324040GT	SWITCH ASSY, LST10, NO, PROX	1
7	1258189GT	SCREW, PHPM, 8-32X1, ZAG	2
8	824092GT	SCREW, HHF, 3/8-16 X 1.5, 8, ZAG	8
9	1274322GT	NUT, NYLOCK FLG, 3/8-16, F, ZAG	8
10	1320200GT	FORMING, SWIVEL, ENGAGEMENT	2
11	48937GT	ELBOW, 45D, 520320-8	1
12	1316796GT	SWIVEL, ASSEMBLY, HYDRAULIC AND E-DRIVE, DC	1
13	48929GT	FITTING, ELBOW, 90D, 520220-6-8	3
14	48930GT	CONN, 520120-6-8	3
15	48933GT	CONN, 520120-8***	1
16	1320186GT	FORMING, COVER, CHASSIS	2
17	1329688GT	PLATE, PANEL NUTS	2
18	29868GT	SPRING CLIP, 3/8-16, .05-.20X.73, ZAG	22
19	824078GT	SCREW, HHF, 1/4-20X.75, 8, ZAG	4
20	1320185GT	FORMING, CABLES	2
21	106924GT	GROMMET, RUBBER .38X.2X1.75	1
22	121604GT	CLAMP, FIXED DIA, NYLON, 1"	34
23	1318941GT	MOTOR CONTROLLER, AC, 48V, 2 X 240A	2
24	824089GT	SCREW, HHF, 3/8-16 X .75, 8, ZAG	10
25	1320187GT	FORMING, MOUNT, MC	2
26	1320193GT	SHIM, AXLE, FORK	4
27	1255802GT	SCREW, HHF, 1/2-13X2.5, 8, ZAG	1
28	1274320GT	NUT, NYLOCK, 1/2-13, C, ZAG	1

202.1 Axle Installation

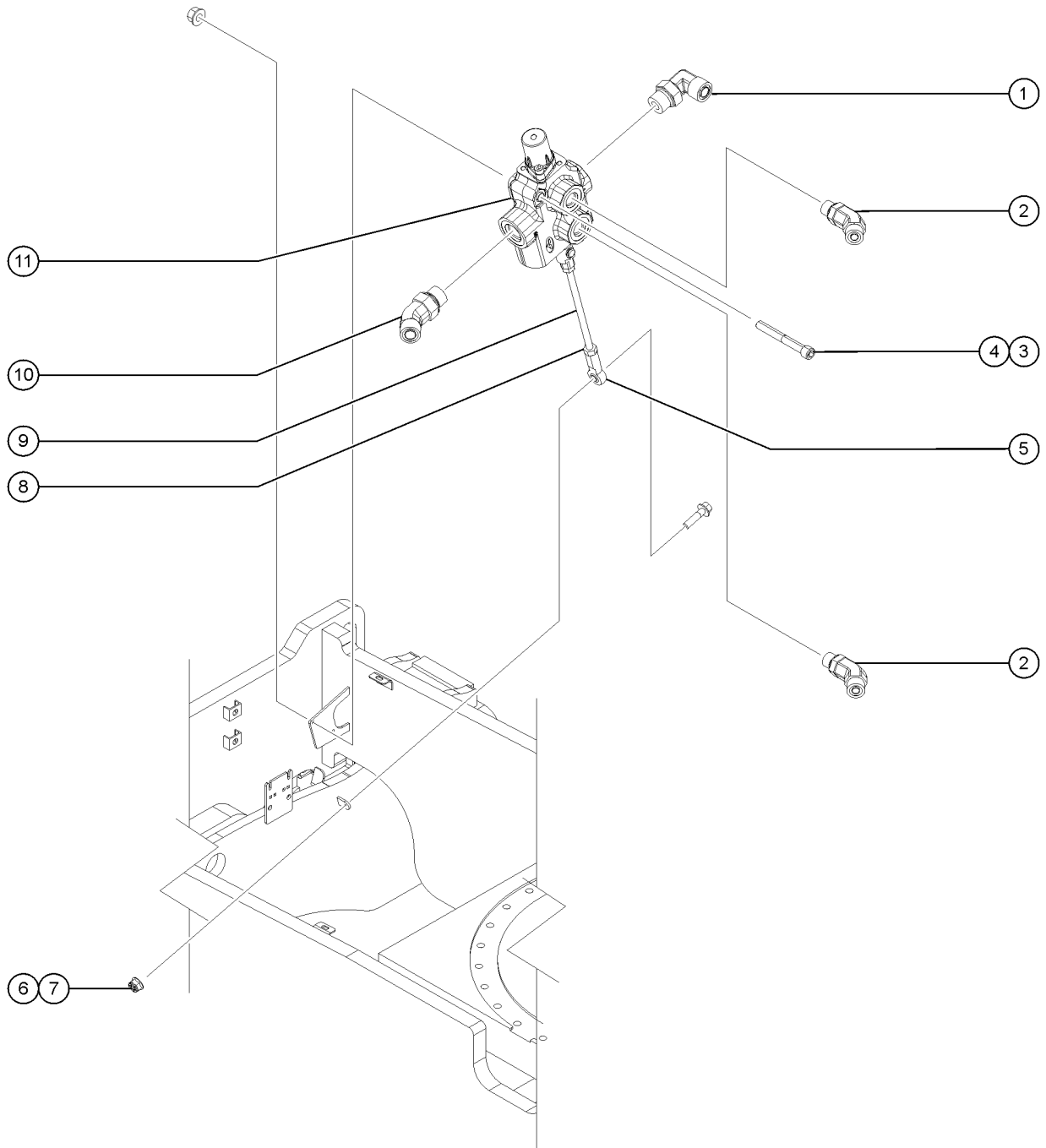


202.1 Axle Installation

<i>Item</i>	<i>Part No.</i>	<i>Description</i>	<i>Qty.</i>
29	1325258GT	PLATE,RETAINER,PIN	1
30	1318293GT	PIN, 2.50DIA X 10.00LG, 1HOLE	1
31	824084GT	SCREW, HHF, 1/4-20 X 3, 8, ZAG	4
32	1277924GT	NUT,NYLOCK FLG,1/4-20,F,ZAG	4
33	1320192GT	PLATE, CLAMP, CABLE	2
34	1320198GT	CLAMP, AXLE	2
35	1316369GT	WELDMENT, REAR AXLE, 18/14 HOLE	1
36	824091GT	SCREW, HHF, 3/8-16 X 1.25, 8, ZAG	8
37	1331600GT	FORMING, STOP, OSC	2
38	1331599GT	SHIM, SENSE AXLE	6
39	1255654GT	SCREW,SHC,5/8-11X4.75,A574,ZAG	30
40	1256182GT	WASHER,FLAT,5/8,F436,HRD,ZAG	30
41	237238GT	SCREW,HHF,M6-1.0X12,DIN6921,10	16
42	1322517GT	ASSEMBLY, DRIVE, WELDMENT WITH BEARINGS	1
43	1320189GT	PLATE, LST10 ACTIVATION	1
44	50035GT	BEARING,TURNTABLE	1
45	48887GT	ELBOW,90D, 070202-4	1



203.1 Oscillation Control Valve

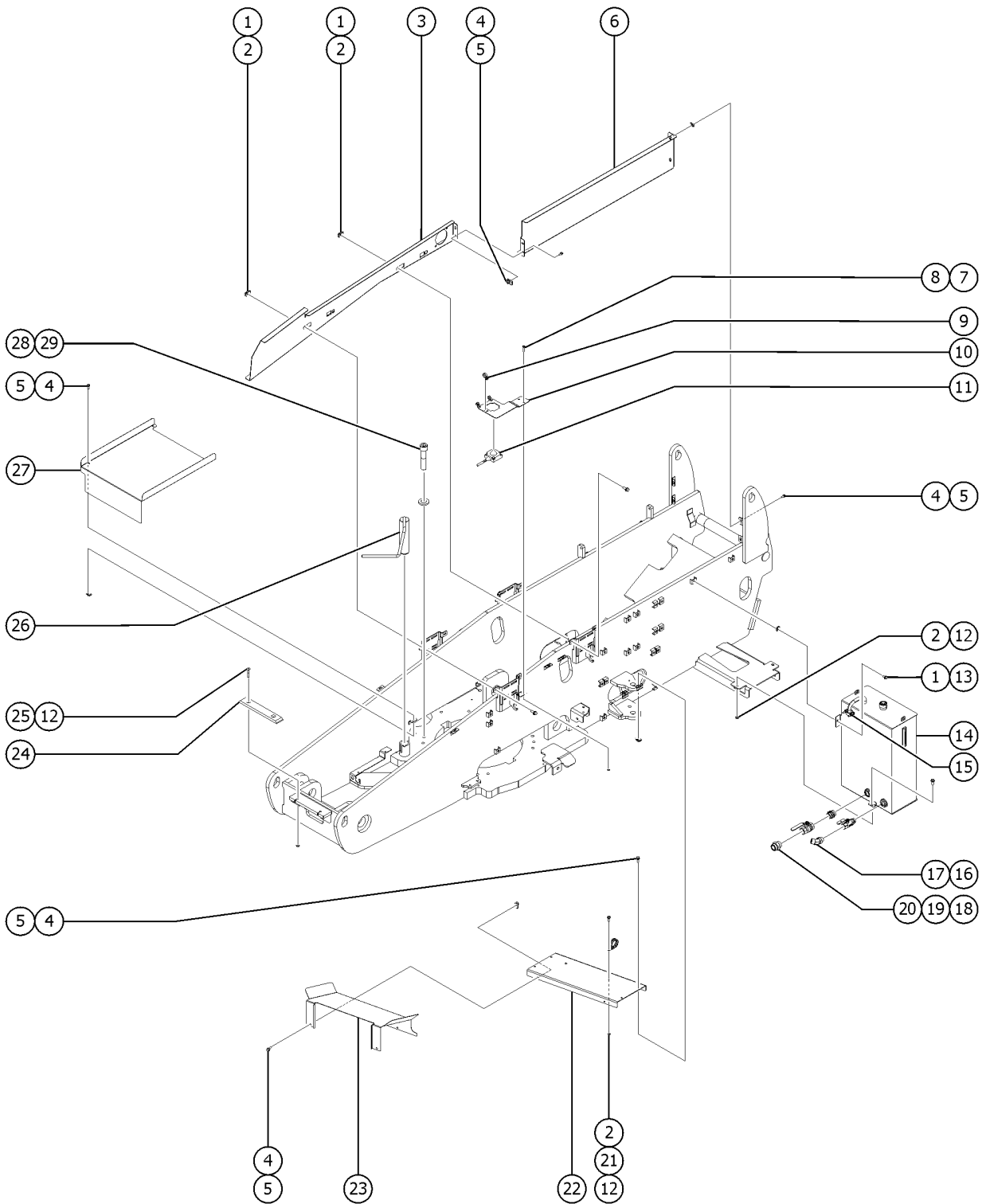


203.1 Oscillation Control Valve

<i>Item</i>	<i>Part No.</i>	<i>Description</i>	<i>Qty.</i>
1	48932GT	FITTING,ELBOW,90D,520220-8***	1
2	48920GT	ELBOW,45D,520320-6	2
3	1314021GT	SCREW,SHC,5/16-18X2.5,A574,ZAG	2
4	1274167GT	NUT,NYLOCK FLG,5/16-18,F,ZAG	2
5	81691GT	ROD END,BALL JOINT 1/4-28	1
6	1277924GT	NUT,NYLOCK FLG,1/4-20,F,ZAG	1
7	824079GT	SCREW,HHF,1/4-20X1,8,ZAG	1
8	824041GT	NUT, 1/4-28, 8, ZAG	2
9	1296055GT	ROD,THREADED,1/4-28X5.5,ZAG	1
10	48937GT	ELBOW,45D,520320-8	1
11	1288398GT	VALVE, MOTOR SPOOL, 3 POS 4 WAY	1



301.1 Hydraulic Tank, Swivel and Cabel Cover Components

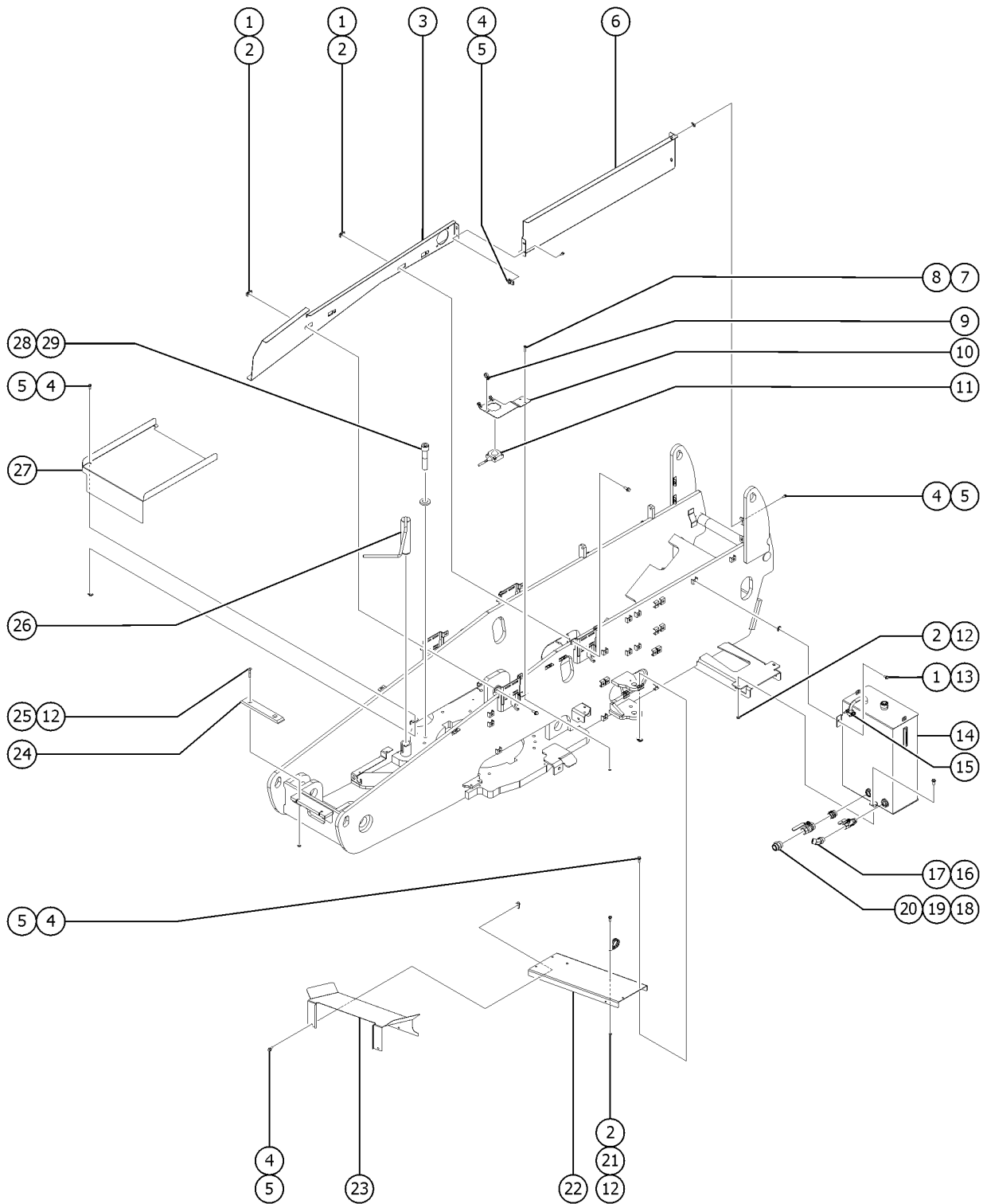


301.1 Hydraulic Tank, Swivel and Cabel Cover Components

Item	Part No.	Description	Qty.
1	29868GT	SPRING CLIP,3/8-16,.05-.20X.73,ZAG	10
2	824090GT	SCREW,HHF,3/8-16X1,8,ZAG	12
3	1321111GT	FORMING, COVER, LEFT FRONT	1
4	56912GT	SPRING CLIP,1/4-20,.025-.15X.54,ZAG	16
5	824078GT	SCREW,HHF,1/4-20X.75,8,ZAG	16
6	1321110GT	FORMING, COVER, LEFT BACK	1
7	1253490GT	SCREW,PHPM,8-32 X .75,ZAG	4
8	1271081GT	NUT,NYLOCK,8-32,8,ZAG	4
9	21121GT	CABLE TIE, 4" BLK, HEAT RESISTANT	3
10	1330213GT	FORMING, RETAINER, SENSOR	1
11	1323100GT	SWITCH ASSY, LSB3AS, NO, PROX	1
12	1274322GT	NUT,NYLOCK FLG,3/8-16,F,ZAG	6
13	824089GT	SCREW, HHF, 3/8-16 X .75, 8, ZAG	2
14	1320592GT	TANK, HYDRAULIC,28GL	1
15	1280708GT	CLAMP, HOSE, DOUBLE BOLT, 16	1
16	48985GT	ELBOW,45D,520320-16	1
17	48996GT	VALVE, BALL, 16 MSAE-16 FSAE	1
18	75654GT	CONN,520120-20	1
		E	
18B	88353GT	ELBOW,45D,520320-20	1
		FE	
19	101494GT	VALVE,BALL,FSAE-20,FSAE-20	1
20	61263GT	UNION,STR.THREAD 20	1
21	61745GT	CLAMP,2.25,#36 X 3/8,RUB CUSH	2
22	1320709GT	FORMING, HOSE AND CABLE SUPPORT	1
23	1320810GT	FORMING, CABLE, COVER	1
24	41549GT	PAD,BOOM REST	1
25	1256842GT	SCREW,FHS,3/8-16X2.25,F835,ZAG	2
26	121353GT	WELDMENT, TRANSPORT LOCK	1
27	121381GT	FORMING, COVER, SWIVEL	1



301.1 Hydraulic Tank, Swivel and Cabel Cover Components

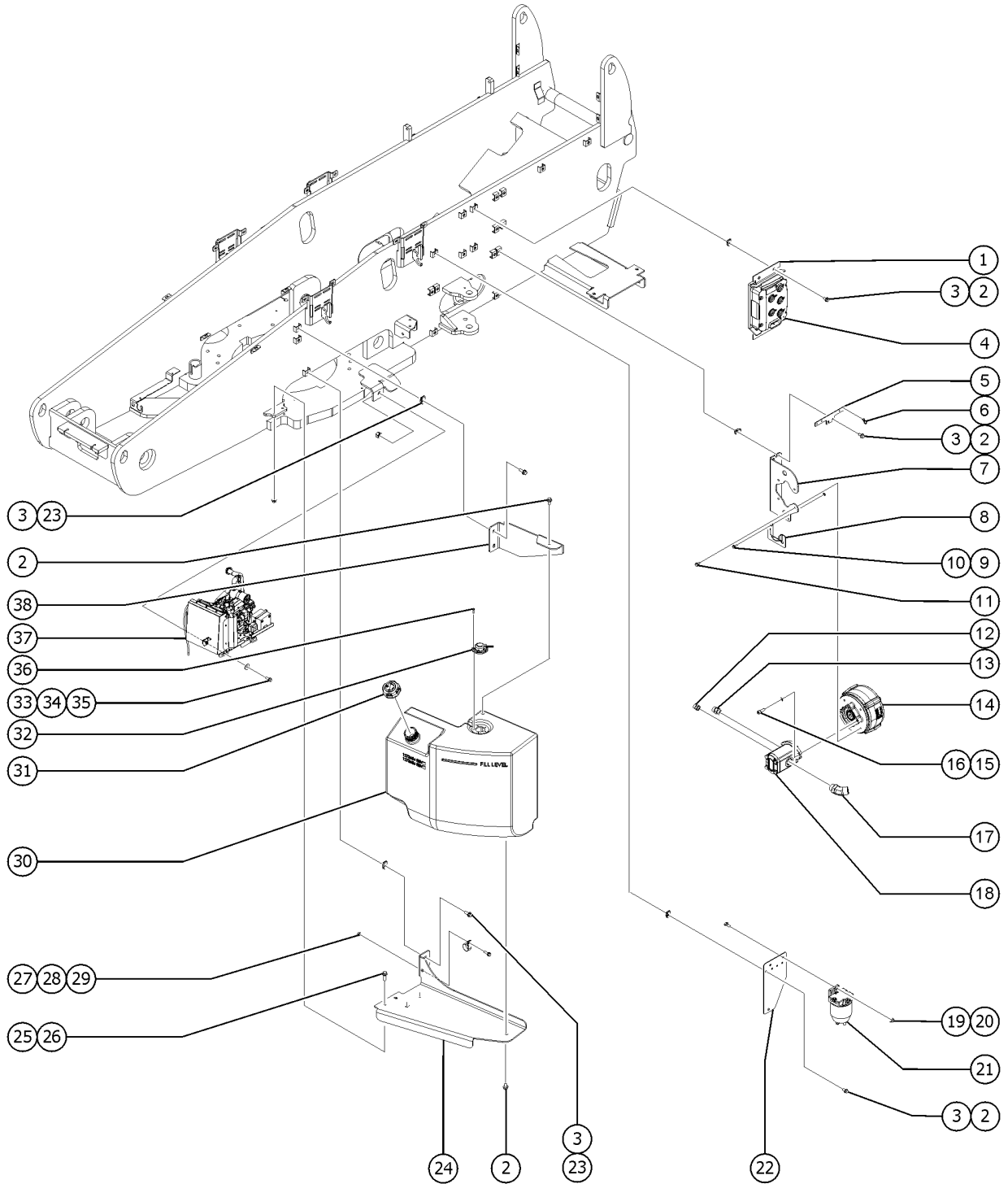


301.1 Hydraulic Tank, Swivel and Cabel Cover Components

<i>Item</i>	<i>Part No.</i>	<i>Description</i>	<i>Qty.</i>
28	824107GT	SCREW, SHC, 5/8-11 X 3, A574, ZAG	22
29	1256182GT	WASHER,FLAT,5/8,F436,HRD,ZAG	22



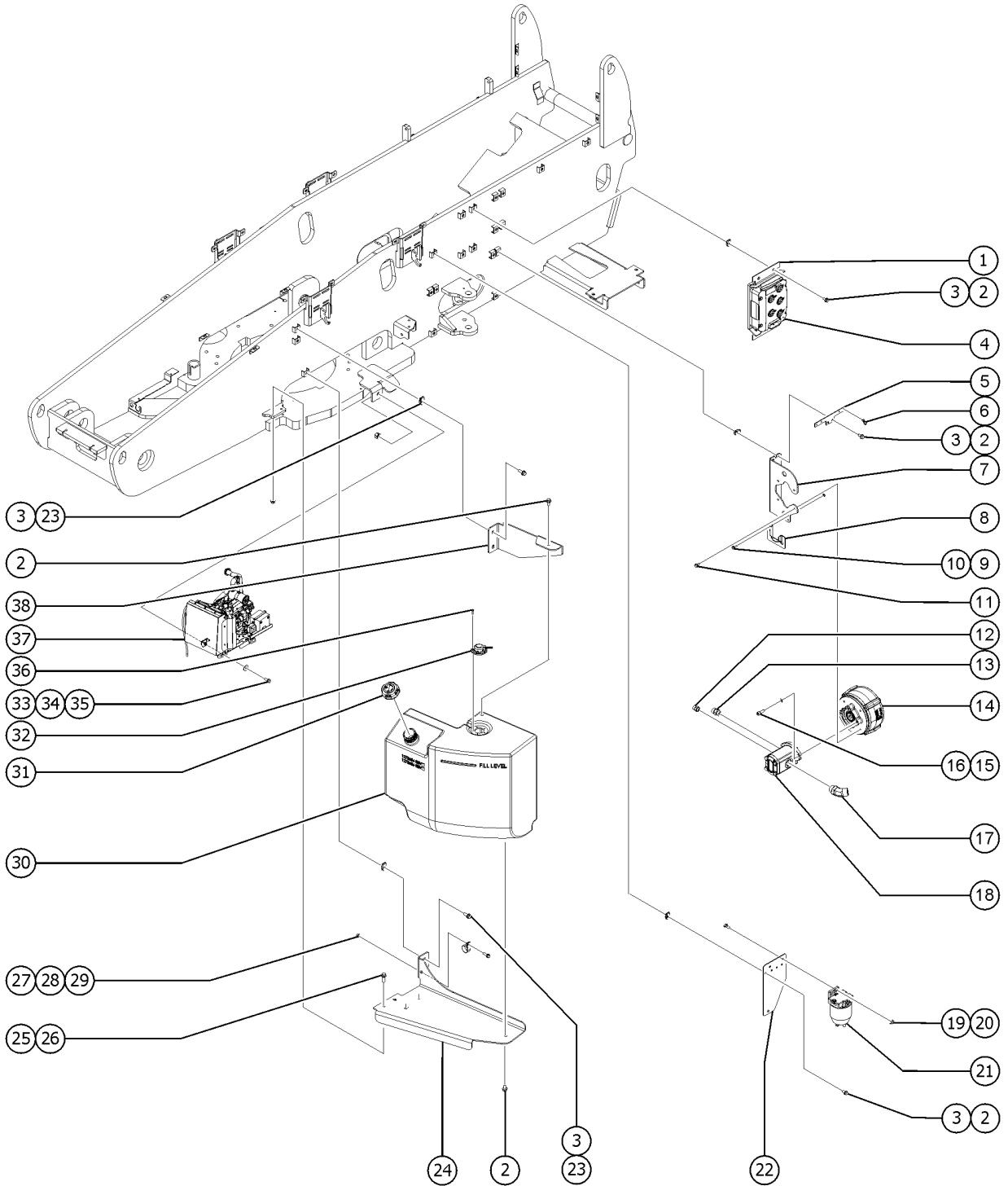
302.1 Tank Side - FE Hybrid Models Option



Item	Part No.	Description	Qty.
1	1320809GT	FORMING, BRACKET, CONTROLLER F6-A	2
2	824089GT	SCREW, HHF, 3/8-16 X .75, 8, ZAG	17
3	29868GT	SPRING CLIP, 3/8-16, .05-.20X.73, ZAG	20
4	1318940GT	MOTOR CONTROLLER, AC, 48V, 550A	1
5	1331819GT	PLATE, SUPPORT, MOTOR CABLE	1
6	110149GT	CABLE TIE, DFT MOUNT, BLK, 6.5"	4
7	1328837GT	FORMING, BRACKET, MOTOR	1
8	1328838GT	FORMING, HOSE HOLD BRACKET	1
9	824078GT	SCREW, HHF, 1/4-20X.75, 8, ZAG	2
10	1277924GT	NUT, NYLOCK FLG, 1/4-20, F, ZAG	2
11	1251983GT	SCREW, HHF, M8-1.25X16, DIN6921, 10.9, ZAB	4
12	48933GT	CONN, 520120-8***	1
13	48952GT	FITTING, CONN, 520120-10	1
14	1331747GT	ASSEMBLY, MOTOR WITH TERMINAL COVER, 48V AC, 200-33 MK1.75	1
14-	1323406GT	MOTOR, 48V, AC, 200-50 MK 1.75, SAE A, Z=9	1
15	1255666GT	SCREW, SHC, M10-1.50X30, DIN912, 1	2
16	1333736GT	WASHER, FLAT, DIN125, M10, HARDEN HV300, ZAB	2
17	48985GT	ELBOW, 45D, 520320-16	1
18	1319083GT	PUMP, DUAL, GEAR, FUNCTION 7CC+2CC, 9T	1
19	1256127GT	BOLT, CARRIAGE, 1/4-20X1", GR 5, ZAG	2
20	1256679GT	NUT, SERRATED, 1/4-20, 8, ZAG	2
21	56949GT	FILTER/SEPARATOR, FUEL DIESEL**	1
22	1320893GT	FORMING, FUEL FILTER SUPPORT	1
23	824090GT	SCREW, HHF, 3/8-16X1, 8, ZAG	3
24	1320799GT	FORMING, FUEL TANK MOUNT	1
25	824091GT	SCREW, HHF, 3/8-16 X 1.25, 8, ZAG	2
26	1274322GT	NUT, NYLOCK FLG, 3/8-16, F, ZAG	2
27	1274167GT	NUT, NYLOCK FLG, 5/16-18, F, ZAG	1



302.1 Tank Side - FE Hybrid Models Option

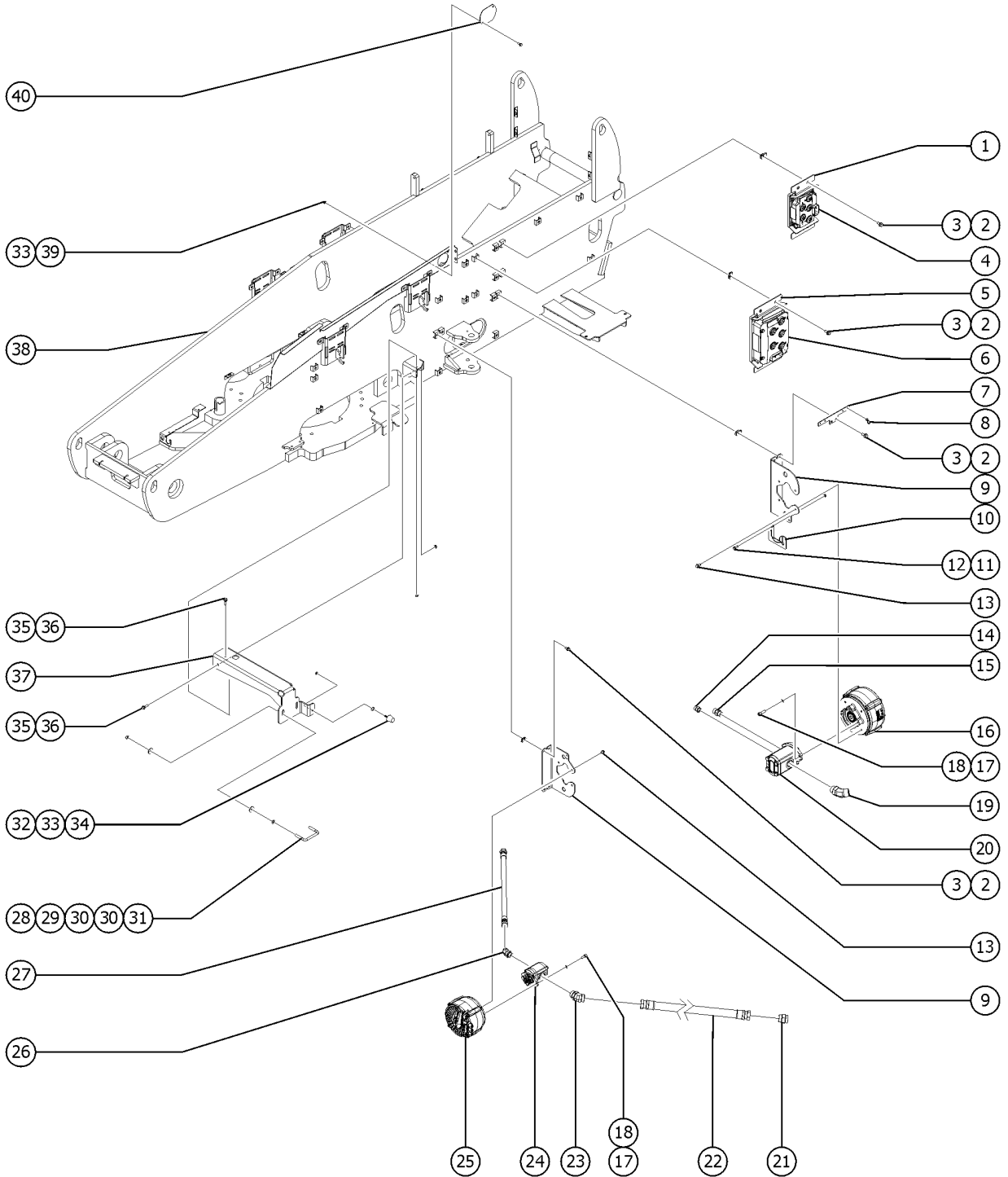


302.1 Tank Side - FE Hybrid Models Option

<i>Item</i>	<i>Part No.</i>	<i>Description</i>	<i>Qty.</i>
28	56424GT	CLAMP,1.25X.5 RUBBER-CUSHION	1
29	824086GT	SCREW, HHF, 5/16-18 X 1, 8, ZAG	1
30	1322075GT	ASSEMBLY, FUEL TANK, DIESEL	1
30-	824872GT	FITTING,3/8NPT TO 3/16BARB,90	1
30-	1270466GT	FITTING,3/8NPT TO 5/16BARB,90	1
31	1316635GT	CAP, FUEL, DIESEL, 0.08 IN HOLE (BLACK)	1
32	1271770GT	SENSOR, FUEL LEVEL, 30" DIESEL	1
33	1256126GT	SCREW,HHF,5/8-11X2,8,ZAG	1
34	824115GT	WASHER, FLAT, USS, 5/8, ZAG	1
35	6361GT	NUT,WELD,5/8-11,BLACK	1
36	824215GT	SCREW, PHPM, 10-32 X .75, ZAG	5
37		Ref. ENGINE, KUBOTA D1105	
		refer to 400 section	
38	1320800GT	FORMING, FUEL TANK SUPPORT, FE ENGINE	1



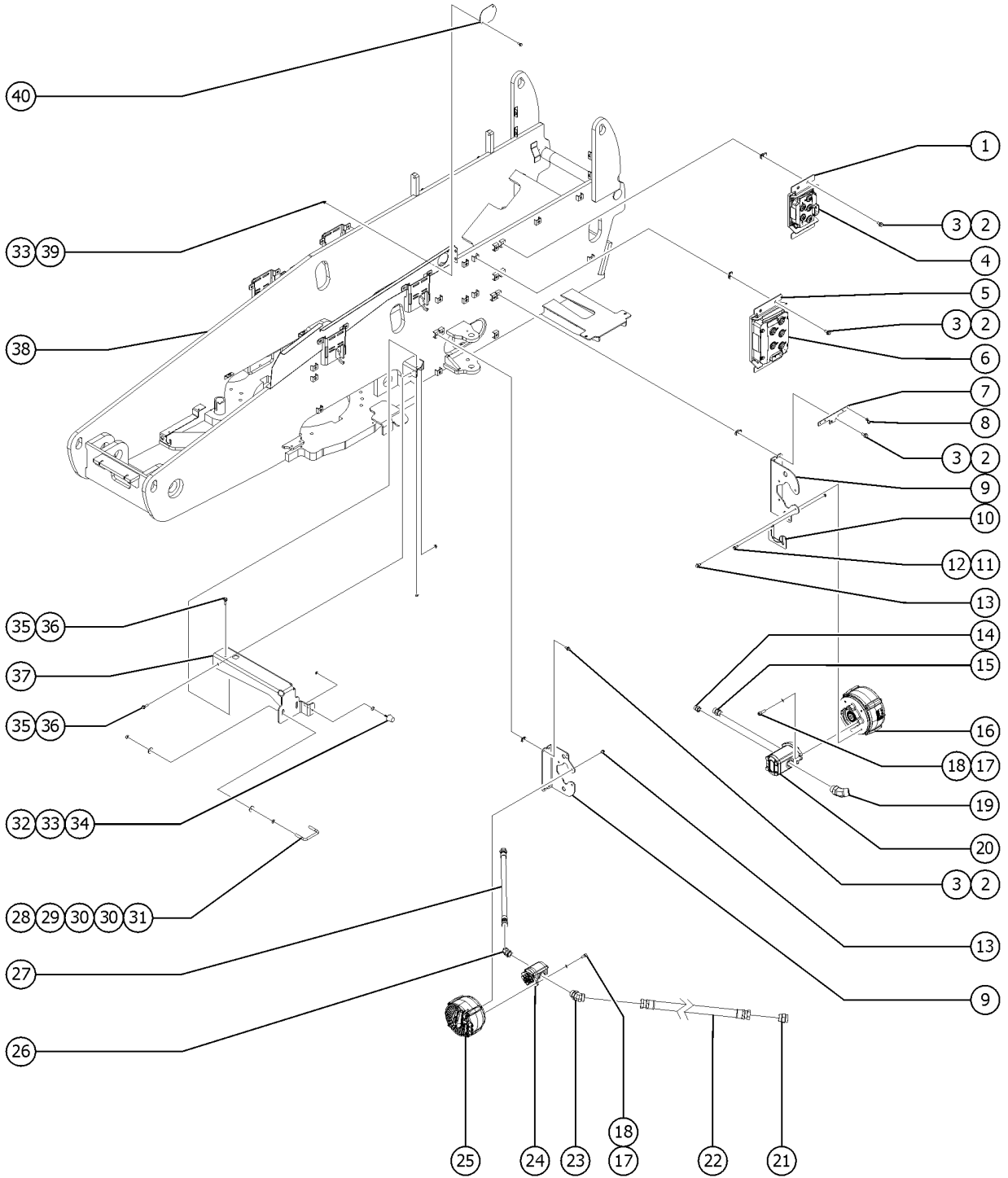
303.1 Tank Side - E Models Option



Item	Part No.	Description	Qty.
1	1320807GT	FORMING, BRACKET, CONTROLLER F2-A	2
2	824089GT	SCREW, HHF, 3/8-16 X .75, 8, ZAG	14
3	29868GT	SPRING CLIP, 3/8-16, .05-.20X.73, ZAG	14
4	1318938GT	MOTOR CONTROLLER, AC, 48V, 240A	1
5	1320808GT	FORMING, BRACKET, CONTROLLER F4-A	2
6	1318939GT	MOTOR CONTROLLER, AC, 48V, 375A	1
7	1331819GT	PLATE, SUPPORT, MOTOR CABLE	1
8	110149GT	CABLE TIE, DFT MOUNT, BLK, 6.5"	4
9	1328837GT	FORMING, BRACKET, MOTOR	2
10	1328838GT	FORMING, HOSE HOLD BRACKET	1
11	824078GT	SCREW, HHF, 1/4-20X.75, 8, ZAG	2
12	1277924GT	NUT, NYLOCK FLG, 1/4-20, F, ZAG	2
13	1251983GT	SCREW, HHF, M8-1.25X16, DIN6921, 10.9, ZAB	8
14	48933GT	CONN, 520120-8***	1
15	48952GT	FITTING, CONN, 520120-10	1
16	1331747GT	ASSEMBLY, MOTOR WITH TERMINAL COVER, 48V AC, 200-33 MK1.75	1
16-	1323405GT	MOTOR, 48V, AC, 200-33 MK 1.75, SAE A, Z=9	1
16-	1331660GT	TERMINAL COVER, MOTOR, 48V, AC, MK1.75	1
17	1255666GT	SCREW, SHC, M10-1.50X30, DIN912, 1	4
18	1333736GT	WASHER, FLAT, DIN125, M10, HARDEN HV300, ZAB	4
19	48985GT	ELBOW, 45D, 520320-16	1
20	1319083GT	PUMP, DUAL, GEAR, FUNCTION 7CC+2CC, 9T	1
21	75654GT	CONN, 520120-20	1
22	88441-2240GT	ASSY, HOSE, HYD, -20, 200, STR, STR	1
23	88353GT	ELBOW, 45D, 520320-20	1
24	1319586GT	PUMP, GEAR, FUNCTION, 15CC 9TH	1
25	1331748GT	ASSEMBLY, MOTOR WITH TERMINAL COVER, 48V AC, 200-50 MK1.75	1
25-	1323406GT	MOTOR, 48V, AC, 200-50 MK 1.75, SAE A, Z=9	1



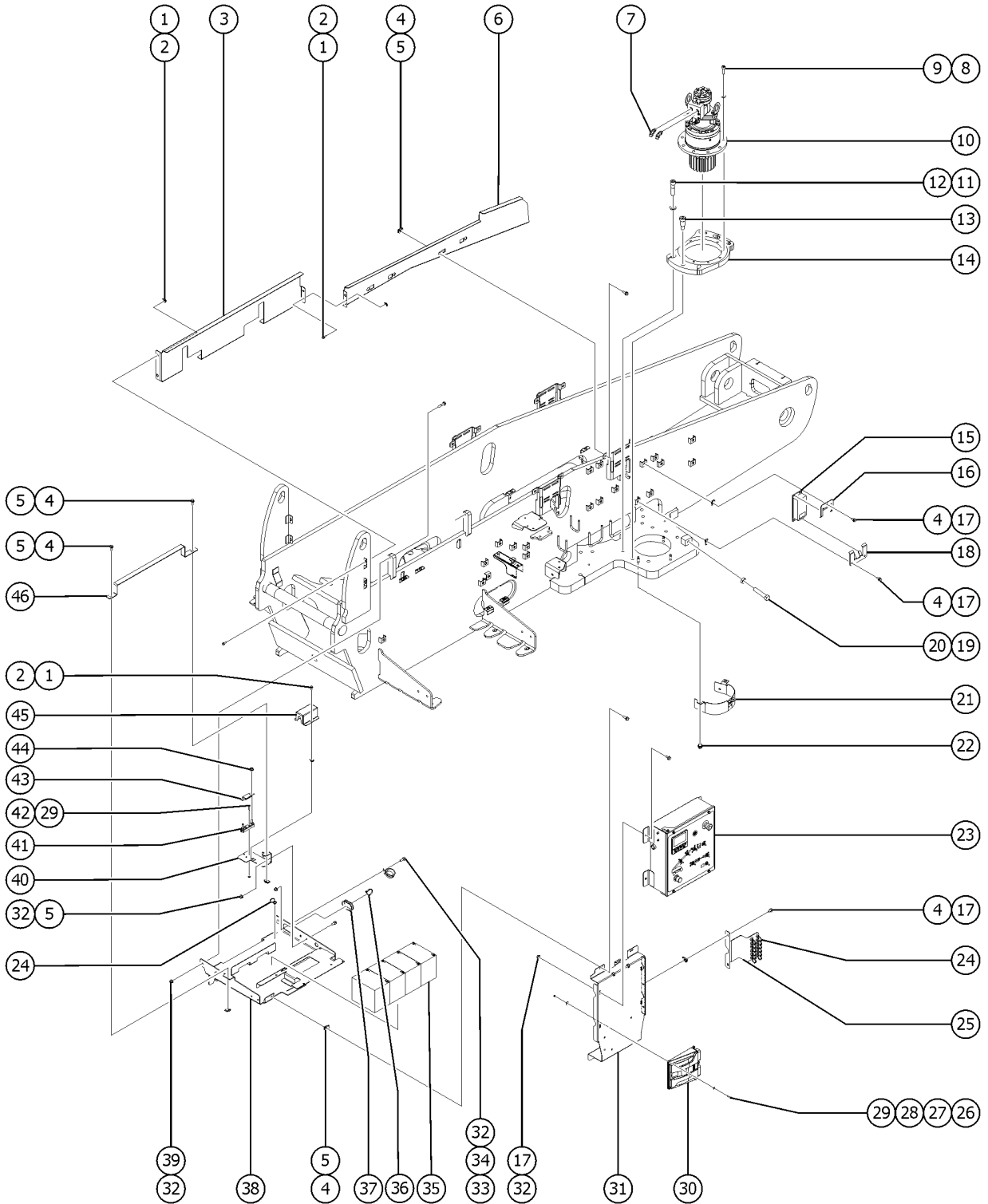
303.1 Tank Side - E Models Option



<i>Item</i>	<i>Part No.</i>	<i>Description</i>	<i>Qty.</i>
25-	1331660GT	TERMINAL COVER, MOTOR,48V,AC,MK1.75	1
26	48963GT	FITTING,ELBOW,45D,520320-12	1
27	89871-5148GT	ASSY, HOSE, HYD, -12, 4000, STR, STR	1
28	1259855GT	UBOLT, 0.4724 IN D X 4.0 IN L	1
29	1255804GT	NUT,JAM,1/2-13,A,ZAG	2
30	1255760GT	WASHER,FLAT,1/2,USS,ZAG	4
31	1259106GT	NUT,1/2-13,8,ZAG	2
32	1261277GT	RUBBER BUMPER, 1.25 X 1.25 IN	1
33	1274167GT	NUT,NYLOCK FLG,5/16-18,F,ZAG	3
34	1256468GT	NUT,3/8-16,8,ZAG	1
35	824091GT	SCREW, HHF, 3/8-16 X 1.25, 8, ZAG	3
36	1274322GT	NUT,NYLOCK FLG,3/8-16,F,ZAG	3
37	1323677GT	FORMING, LATCH BRACKET, TANK SIDE	1
38	1319789GT	WELDMENT, S85XC FE/DC SWING CHASSIS	1
39	824085GT	SCREW, HHF, 5/16-18 X .75, 8, ZAG	2
40	1321117GT	PLATE, AIR INTAKE HOLE COVER	1



304.1 Turntable Components and Swing Drive Assembly - View 1

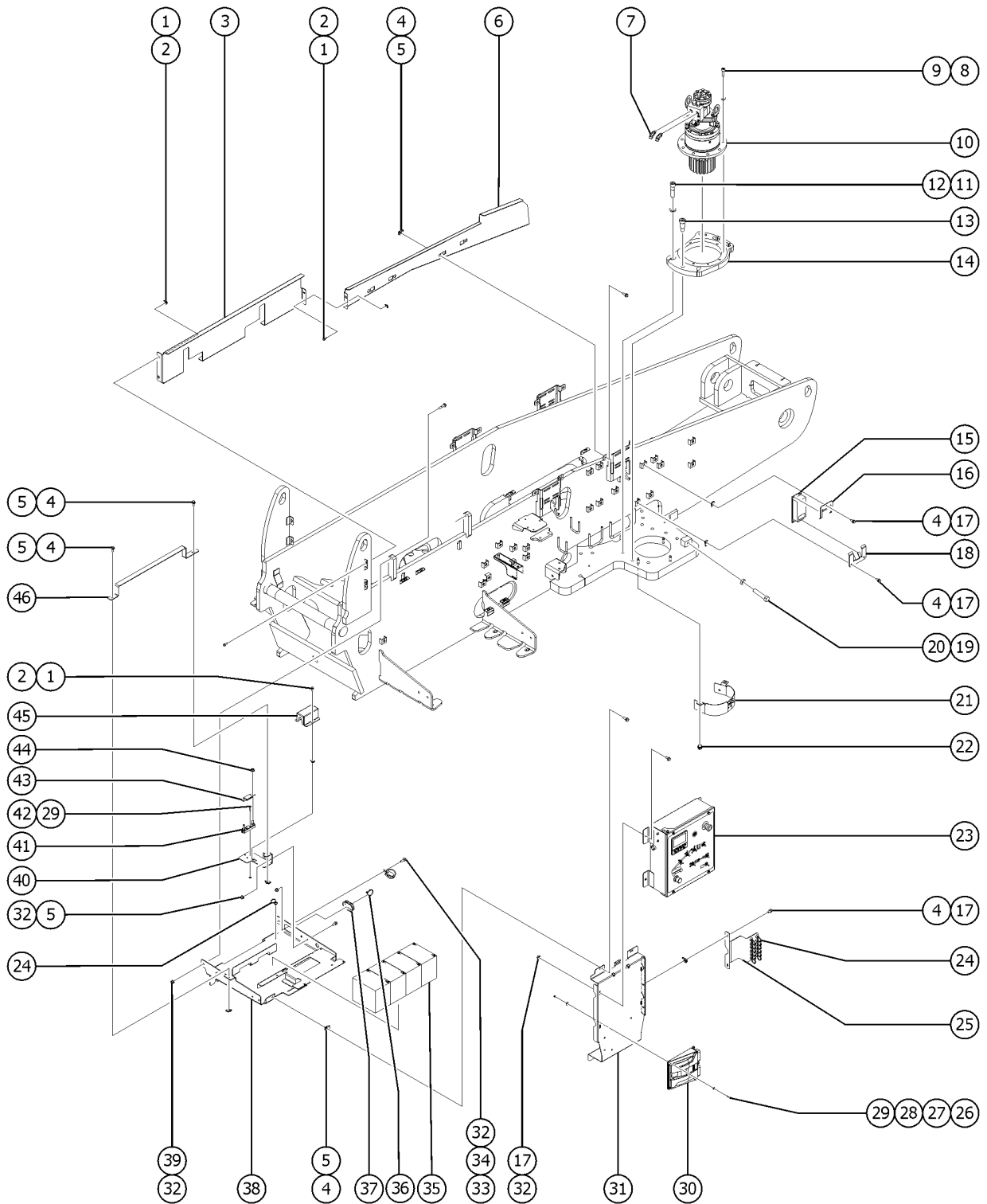


304.1 Turntable Components and Swing Drive Assembly - View 1

Item	Part No.	Description	Qty.
1	56912GT	SPRING CLIP,1/4-20,.025-.15X.54,ZAG	6
2	824078GT	SCREW,HHF,1/4-20X.75,8,ZAG	6
3	1321112GT	FORMING, COVER, RIGHT BACK	1
4	29868GT	SPRING CLIP,3/8-16,.05-.20X.73,ZAG	16
5	824090GT	SCREW,HHF,3/8-16X1,8,ZAG	16
6	1321113GT	FORMING, COVER, RIGHT FRONT	1
7	48920GT	ELBOW,45D,520320-6	2
8	824102GT	SCREW, SHC, 1/2-13 X 1.5, A574, ZAG	9
9	825353GT	WASHER,FLAT,1/2,SAE,HRD,ZAG	9
10	1255768GT	SWING DRIVE ASSEMBLY	1
11	1256860GT	SCREW,SHC,3/4-10X3,A574,ZAG	5
12	1256863GT	WASHER,FLAT,.75,F436,HRD,ZAG to SN S85XCEH-112	5
12B	1297288GT	WASHER,FLAT,.812X1.468X.312,F436,HRD,ZAG from SN S85XCEH-113	5
13	1269586GT	BOLT,SHS,1.0X1.5X3/4-10,ZAG	1
14	121393GT	MACHINED BACKLASH	1
15	1272910GT	MODULE, CONVERTER, DC-DC, 48/26.5V	1
16	1320805GT	FORMING, BRACKET UPPER, DC-DC CONVERTER	1
17	824089GT	SCREW, HHF, 3/8-16 X .75, 8, ZAG	9
18	1320804GT	FORMING, BRACKET LOWER, DC-DC CONVERTER	1
19	1256846GT	SCREW,HEX TAP,3/4-10X4,8,ZAG	1
20	1256837GT	NUT,JAM,3/4-10,A, ZAG	1
21	81986GT	COVER,ROTATION GEAR	1
22	1257723GT	SCREW,HHF-S,1/2-13X.75,5,ZAG	3
23		Ref. TCON, S85 DC refer to 309.1,310.1	1
24	110149GT	CABLE TIE,DFT MOUNT,BLK,6.5"	13
25	1321109GT	BRACKET, CABLE ROUTING, CONTROLLER BOX	1
26	826516GT	SCREW, PHPM, 10-32 X 1.0, ZAG	4
27	1253185GT	WASHER,FLAT,#10,USS,ZAG	4



304.1 Turntable Components and Swing Drive Assembly - View 1

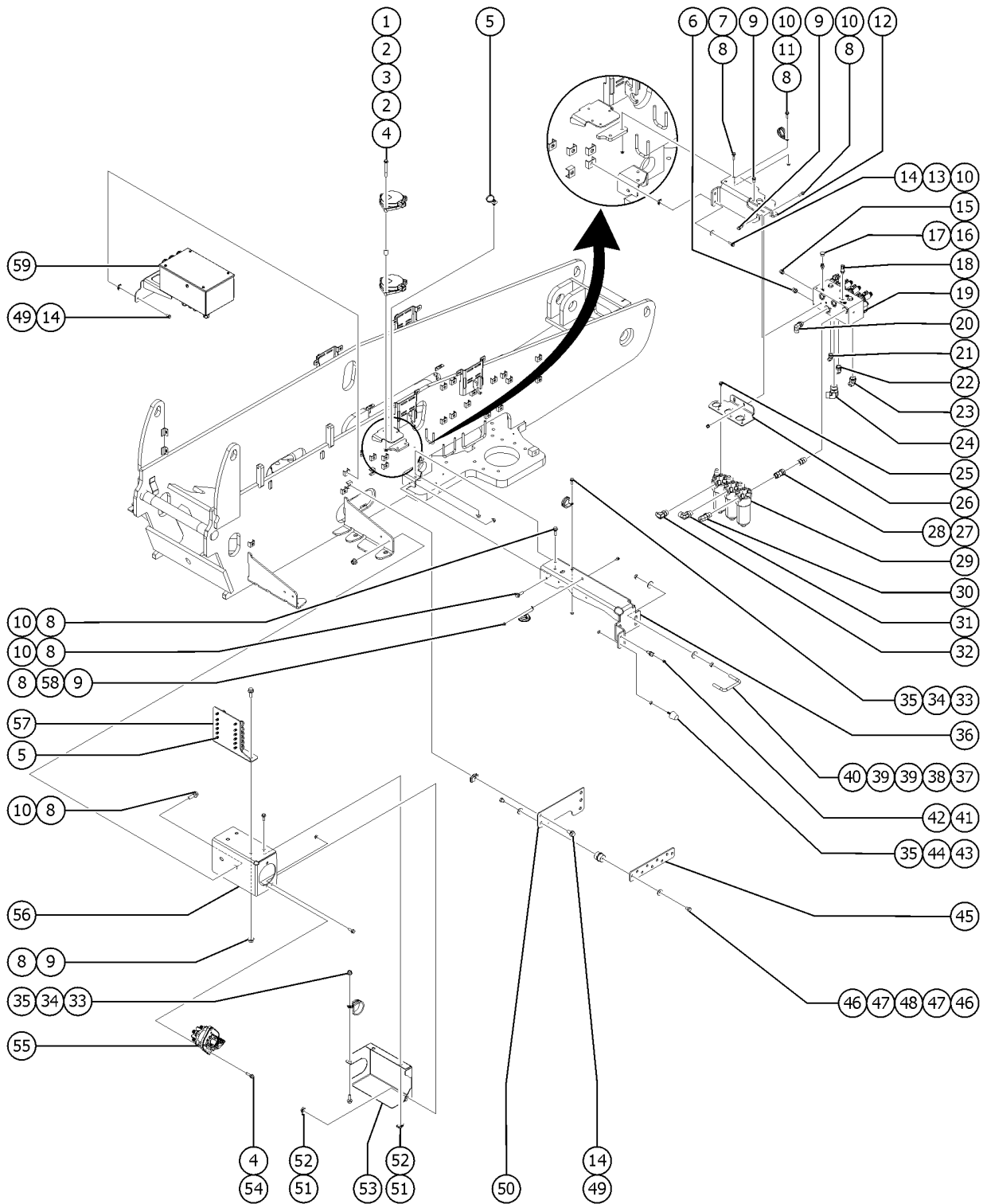


304.1 Turntable Components and Swing Drive Assembly - View 1

Item	Part No.	Description	Qty.
28	824113GT	WASHER,FLAT,USS,1/4,ZAG	4
29	1283005GT	NUT,NYLOCK FLG,10-32,A,ZAG	6
30	1318290GT	MODULE, CONTROL, 104PIN, 2.5MB, 31IN, 33OUT, KEYED	1
31	1321063GT	FORMING, CONTROL BOX MOUNT	1
32	1274322GT	NUT,NYLOCK FLG,3/8-16,F,ZAG	8
33	824091GT	SCREW, HHF, 3/8-16 X 1.25, 8, ZAG	1
34	39518GT	CLAMP,2.00,#32 X 3/8,RUB CUSH	1
35	1336684GT	AUX BATTERY, 12V 35AH, AGM VRLA	4
36	28443GT	CABLE TIE, 11.5" BLACK	1
37	1697-1100GT	TRIMLOCK,BLACK,3/16, 11"	1
		to SN S85XCEH-112	
37B	1338787-0875GT	PLASTIC TRIM, CLEAR, 3/16, 8.75	1
		from SN S85XCEH-113	
38	1320698GT	WELDMENT, AUX BATTERY AND CHARGER TRAY	1
39	1253478GT	SCREW,HHF,3/8-16X2,8,ZAG	2
40	1320952GT	FORMING, MOUNT, FUSE	1
41	66717GT	FUSE BLOCK, ANN & ANL FUSE	1
42	826783GT	SCREW,FHPM,10-32X.1,00,ZAG	2
43	36355GT	FUSE,100 AMP,VERY FAST ACTING	1
44	18503GT	NUT, LOCKING - LG FLANGE 5/16 - 18	2
45	1320953GT	FORMING,AUX BATTERY,FUSE COVER	1
46	1336695GT	FORMING, BATTERY HOLDER BRACKET	1



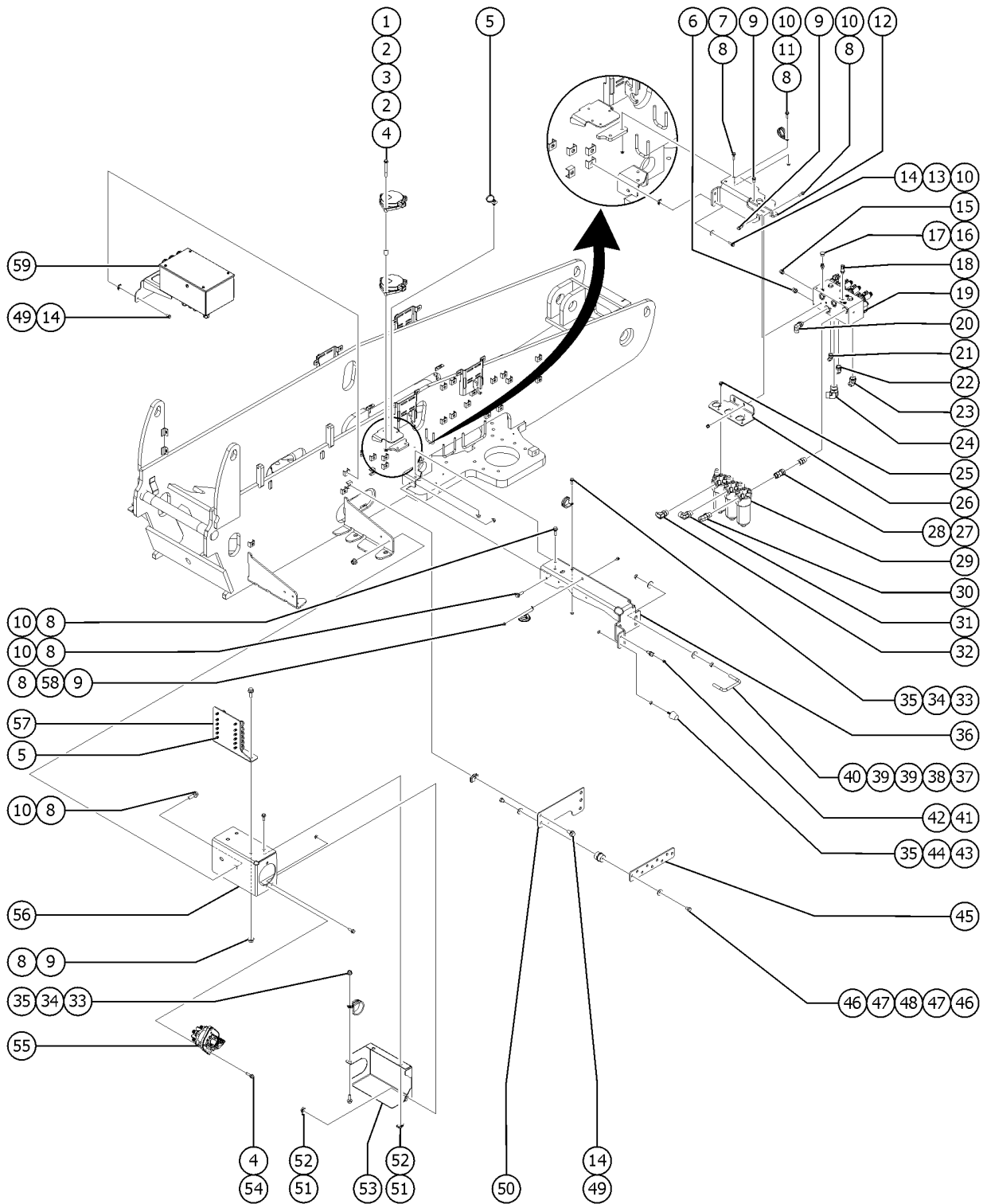
305.1 Turntable Components and Swing Drive Assembly - View 2



305.1 Turntable Components and Swing Drive Assembly - View 2

Item	Part No.	Description	Qty.
1	824083GT	SCREW, HHF, 1/4-20 X 2.5, 8, ZAG	3
2	823368GT	SENSOR,LEVEL,UNIVERSAL	2
3	8149GT	SPACER,NYLON .257 X .5 X .75"	3
4	1277924GT	NUT,NYLOCK FLG,1/4-20,F,ZAG	5
5	110149GT	CABLE TIE,DFT MOUNT,BLK,6.5"	13
6	48933GT	CONN,520120-8***	1
7	824092GT	SCREW, HHF, 3/8-16 X 1.5, 8, ZAG	2
8	1274322GT	NUT,NYLOCK FLG,3/8-16,F,ZAG	13
9	824090GT	SCREW,HHF,3/8-16X1,8,ZAG	6
10	824091GT	SCREW, HHF, 3/8-16 X 1.25, 8, ZAG	7
11	61745GT	CLAMP,2.25,#36 X 3/8,RUB CUSH	1
12	1320704GT	FORMING, MOUNT, FUNCTION MANIFOLD	1
13	824122GT	WASHER, FLAT, .375 X 1.25 X .062, ZAG	2
14	29868GT	SPRING CLIP,3/8-16,.05-.20X.73,ZAG	6
15	48916GT	CONN, 520120-6	5
16	48880GT	CAP,DIAGNOSTIC NIPPLE	3
17	48997GT	NIPPLE,DIAGNOSTIC,#4	3
18	1291577GT	PRESSURE TRANSDUCER,0-5K PSI	1
19		Ref. Function Manifold	1
		refer to 703.1	
20	48950GT	ELBOW,90D,520220-10	1
21	48937GT	ELBOW,45D,520320-8	2
22	49201GT	ELBOW,45D,520320-10	3
23	48963GT	FITTING,ELBOW,45D,520320-12	1
24	48983GT	ELBOW,90D,520220-16	1
25	1268762GT	SCREW,HHF,3/8-16*0.5,8,ZAG	6
26	1320705GT	FORMING, BRACKET, HIGH PRESS FILTER	1
27	1316802GT	CONN, SWIVEL STR, FS6504-12-12	3
28	48960GT	FITTING,CONN,520120-12***	3

305.1 Turntable Components and Swing Drive Assembly - View 2

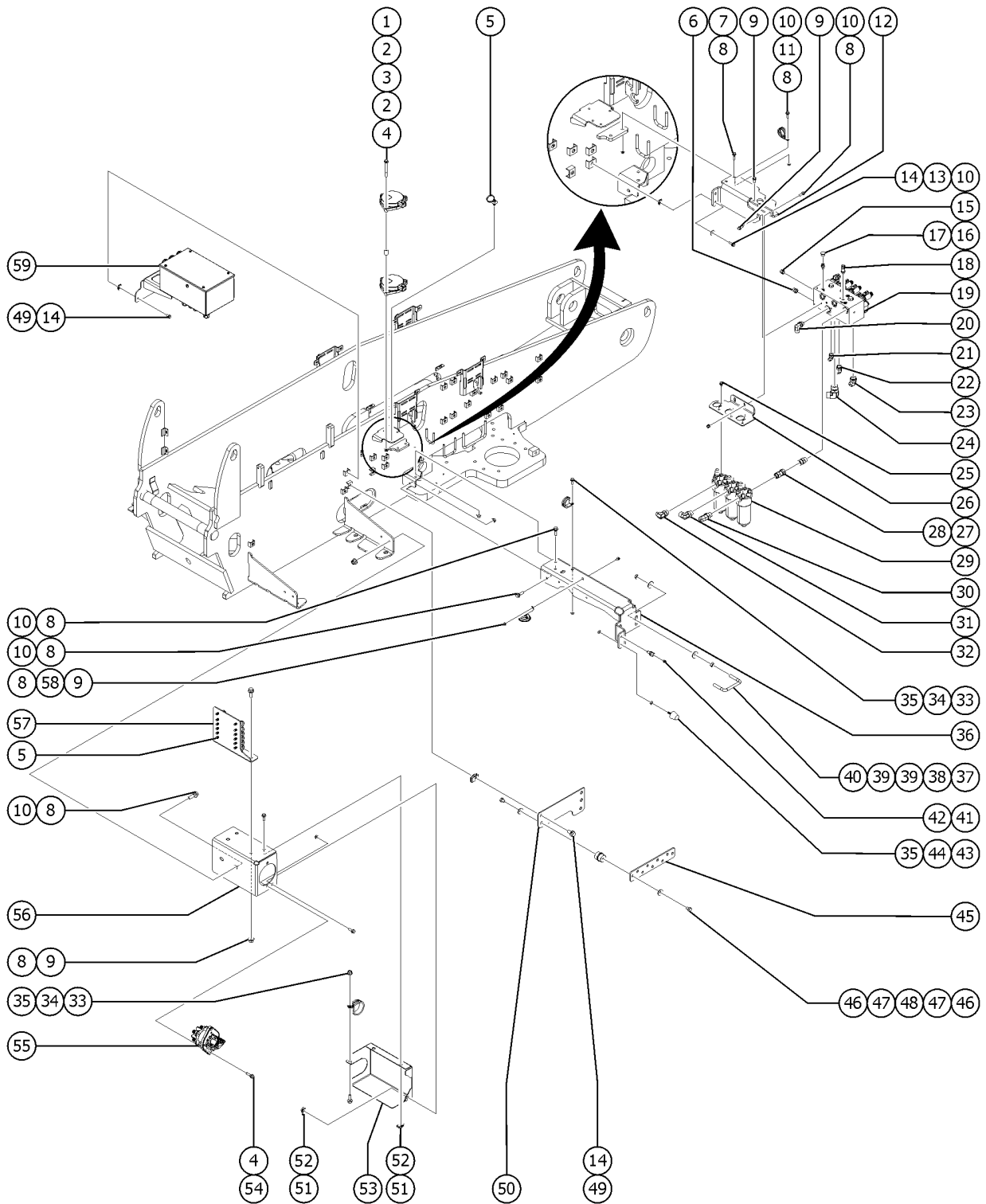


305.1 Turntable Components and Swing Drive Assembly - View 2

Item	Part No.	Description	Qty.
29	60334GT	FILTER ASSY,HIGH PRESS SAE-12	3
30	1316801GT	ELBOW, 90D, 520220-10-12	1
31	48959GT	FITTING,ELBOW,90D,520220-12	1
32	48947GT	ELBOW,90D,520220-8-12	1
33	824086GT	SCREW, HHF, 5/16-18 X 1, 8, ZAG	1
34	66031GT	CLAMP,1.88,#30X3/8,RUB CUSH	1
35	1274167GT	NUT,NYLOCK FLG,5/16-18,F,ZAG	3
36	1320708GT	FORMING, LATCH BRACKET CONTROL SIDE	1
37	1259855GT	UBOLT, 0.4724 IN D X 4.0 IN L	1
38	1259106GT	NUT,1/2-13,8,ZAG	2
39	1255760GT	WASHER,FLAT,1/2,USS,ZAG	4
40	1255804GT	NUT,JAM,1/2-13,A,ZAG	2
41	28646GT	ZERK,GREASE,1/8 NPT	1
42	48885GT	CONNECTOR,BULKHEAD,FEMALE-4	1
43	1261277GT	RUBBER BUMPER, 1.25 X 1.25 IN	1
44	1256468GT	NUT,3/8-16,8,ZAG	1
45	1321409GT	GROUND BAR	1
46	1257704GT	SCREW,HHC,M8-1.25X12,DIN933,10.9,ZAB	4
47	825358GT	WASHER,FLAT,5/16,USS,ZAG	4
48	1323159GT	GROUND INSULATOR	2
49	824089GT	SCREW, HHF, 3/8-16 X .75, 8, ZAG	5
50	1321068GT	PLATE, GROUND BAR SUPPORT	1
51	56912GT	SPRING CLIP,1/4-20,.025-.15X.54,ZAG	3
52	824078GT	SCREW,HHF,1/4-20X.75,8,ZAG	3
53	1321062GT	FORMING, LITHIUM BATTERY SWITCH COVER	1
54	824079GT	SCREW,HHF,1/4-20X1,8,ZAG	2
55	1313657GT	BATTERY SWITCH, DOUBLE, 500A	1
56	1321061GT	FORMING, LITHIUM BATTERY DISCONNECT SWITCH	1



305.1 Turntable Components and Swing Drive Assembly - View 2

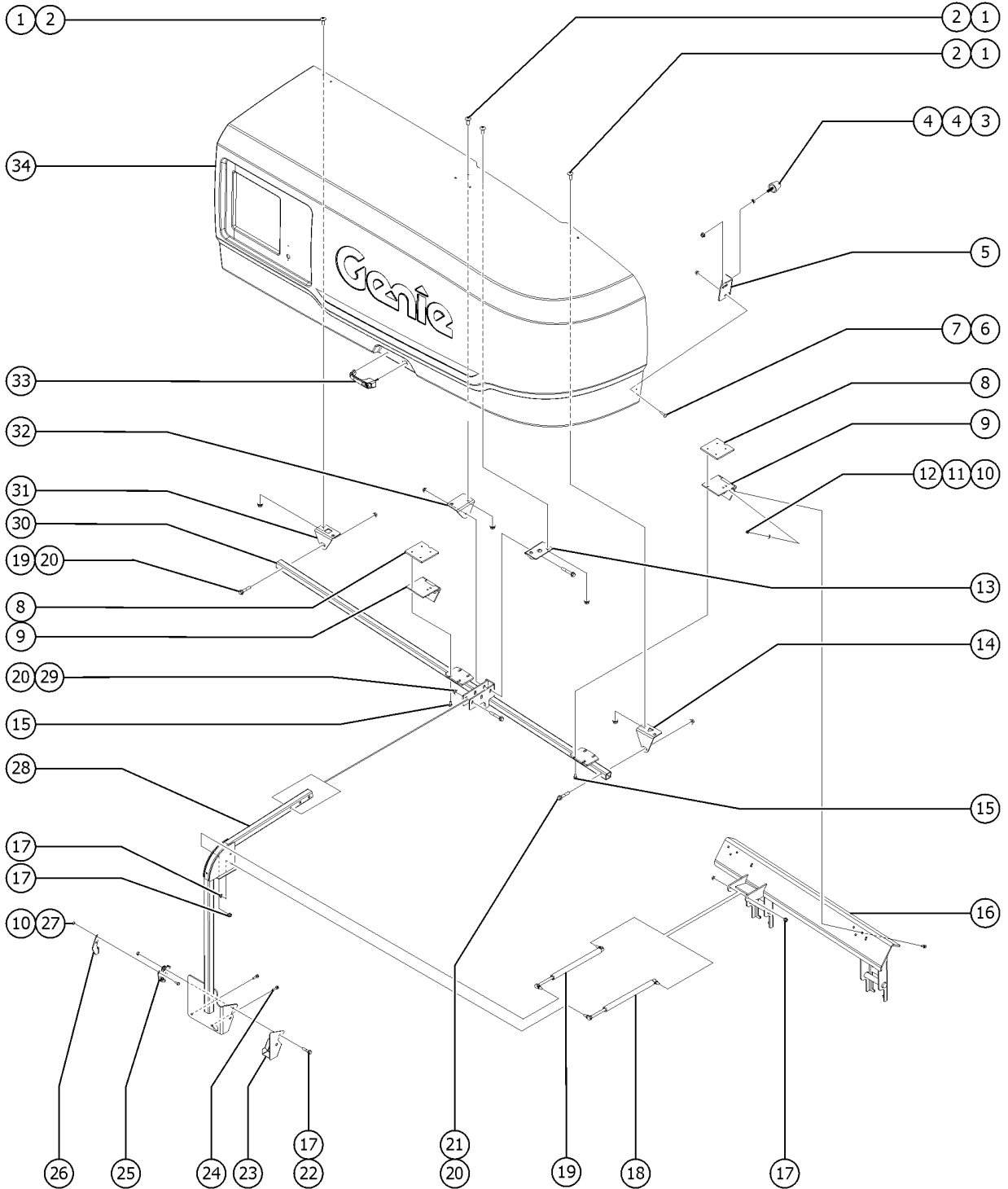


305.1 Turntable Components and Swing Drive Assembly - View 2

<i>Item</i>	<i>Part No.</i>	<i>Description</i>	<i>Qty.</i>
57	1321066GT	FORMING, CONTROL BOX HARNESS BRACKET	1
58	81579GT	HORN, 24VDC, SPADE TERMINALS***	1
59		Ref. CONTACTOR BOX	
		refer to 308.1	



306.1 Turntable Covers- Control Side

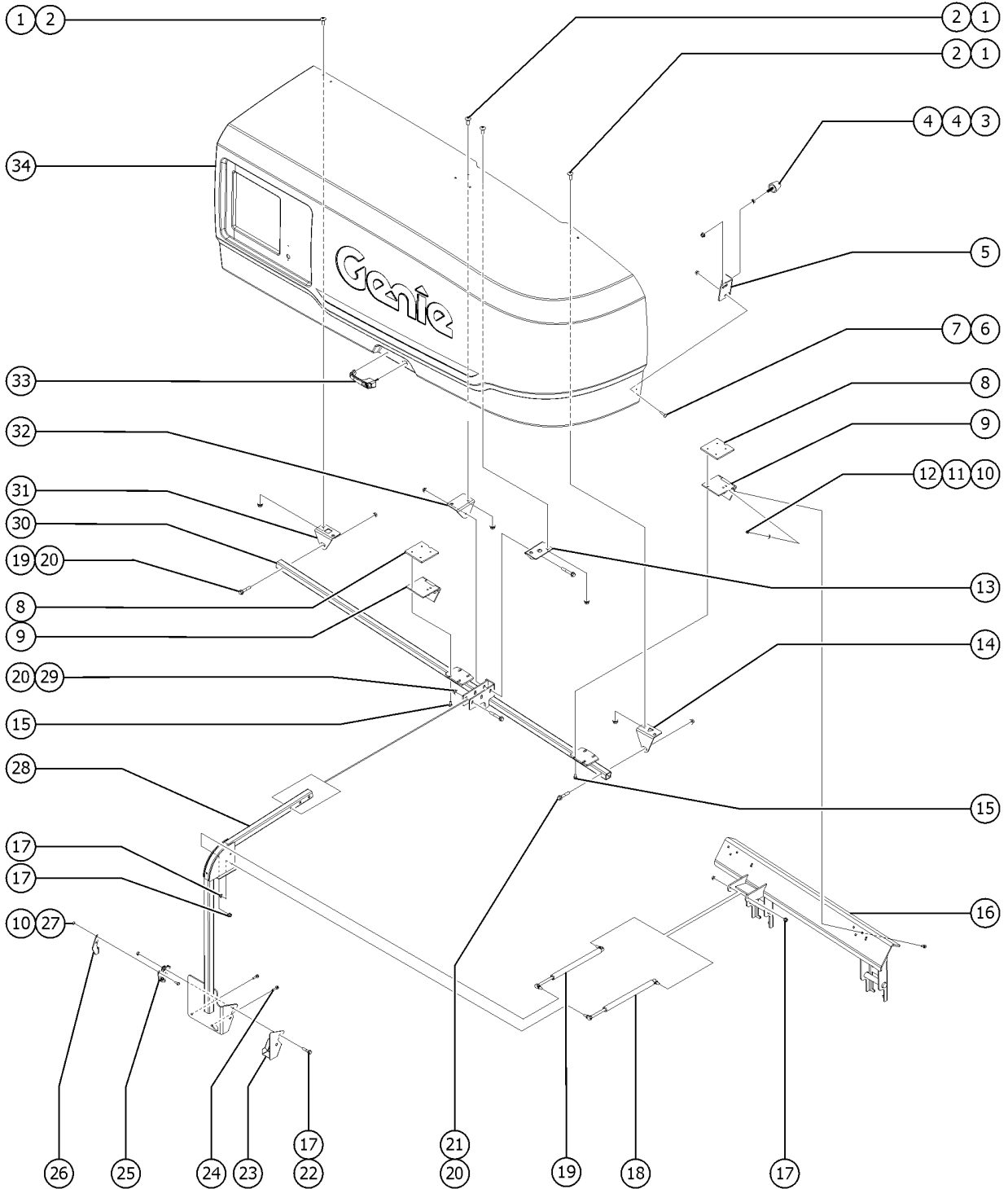


306.1 Turntable Covers- Control Side

Item	Part No.	Description	Qty.
1	1261836GT	SCREW, THM, TORX, 3/8-16X1,SS	8
2	1257628GT	NUT,SERRATED,3/8-16,ZAG	8
3	1261277GT	RUBBER BUMPER, 1.25 X 1.25 IN	1
4	1255805GT	NUT,SERRATED,5/16-18,8,ZAG	2
5	1337067GT	FORMING, BRACKET, BUMPER	1
6	1261837GT	SCREW, THM, TORX, M6X25, ZAB	2
7	231513GT	NUT,TL FLG,M6-1.0,DIN6927,10,ZAB	2
8	1258724GT	SUPPORT, TAPPED HINGE	2
9	1266902GT	HINGE,.375X.1875THK,SLOTTED	2
10	1274165GT	NUT,NYLOCK,1/4-20,C,ZAG	8
11	824113GT	WASHER,FLAT,USS,1/4,ZAG	6
12	1256127GT	BOLT,CARRIAGE,1/4-20X1",GR 5,ZAG	6
13	1253830GT	MOUNT, COVER SUPPORT CTR 86DEG	1
14	1258722GT	MOUNT, COVER SUPPORT REAR	1
15	824078GT	SCREW,HHF,1/4-20X.75,8,ZAG	4
16	1321114GT	WELDMENT, SUPPORT, CONTROL SIDE	1
17	1274167GT	NUT,NYLOCK FLG,5/16-18,F,ZAG	6
18	28301GT	GAS STRUT,250 LBS FORCE***	2
19	33555GT	BALL STUD**	4
20	1253478GT	SCREW,HHF,3/8-16X2,8,ZAG	2
21	1274322GT	NUT,NYLOCK FLG,3/8-16,F,ZAG	5
22	1255763GT	SCREW,HHF,5/16-18X1.5,8,ZAG	2
23	1261244GT	FORMING,LATCH GUARD,TS	1
24	231512GT	SCREW,HHF,M6-1.0X25,DIN6921,10.9,ZAB	2
25	215254GT	LATCH,ROTARY,ENGINE COVER	1
26	1262210GT	FORMING, LATCH TRIGGER, TS	1
27	824059GT	SCREW, HHC, 1/4-20 X .75, 8, ZAG	2
28	1266895GT	WLDMT, LOWER COVER SUPPORT	1



306.1 Turntable Covers- Control Side

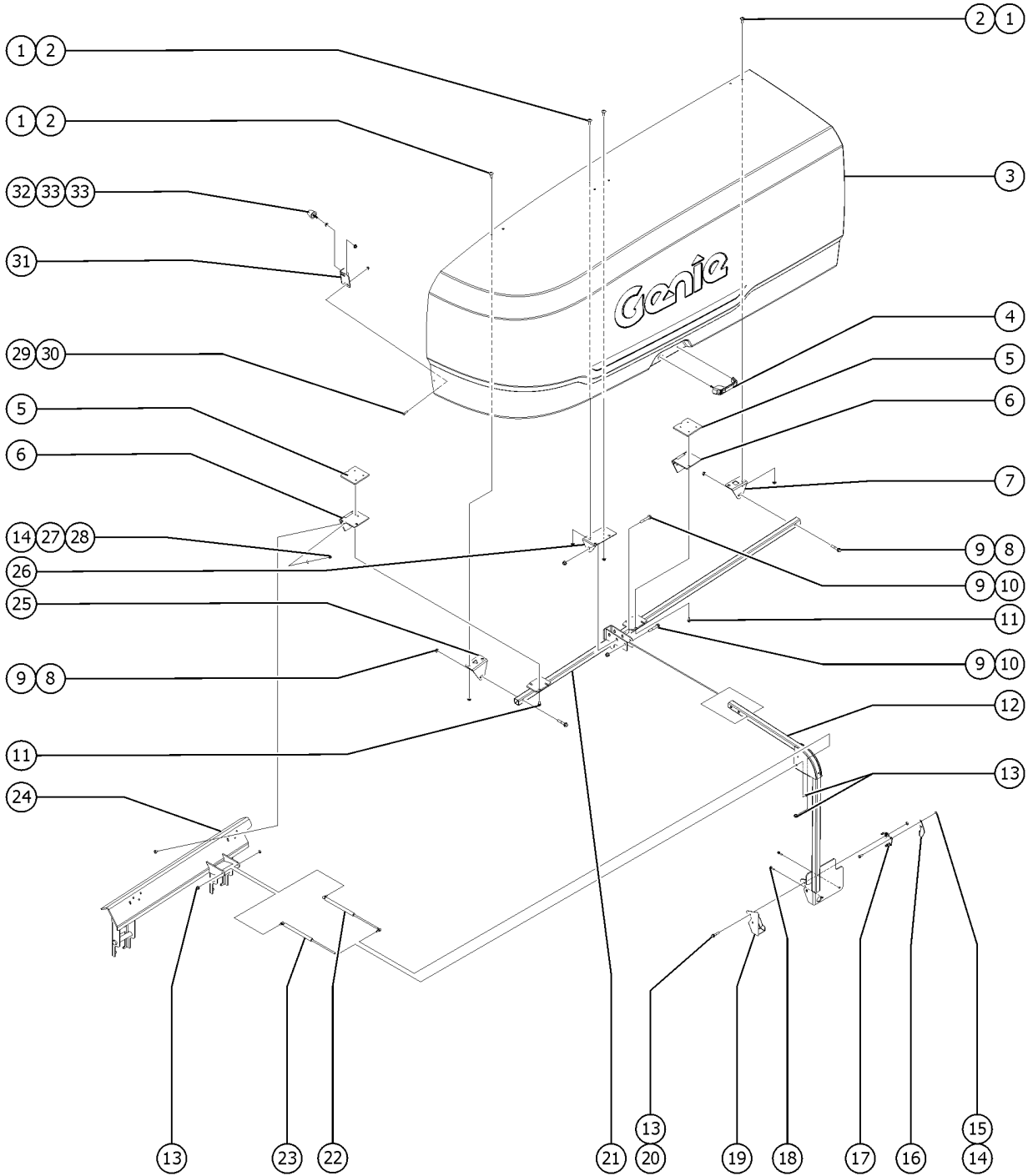


306.1 Turntable Covers- Control Side

<i>Item</i>	<i>Part No.</i>	<i>Description</i>	<i>Qty.</i>
29	1256856GT	SCREW,HHF,3/8-16X2.5,8,ZAG	3
30	1321116GT	WELDMENT, HIGHER COVER SUPPORT	1
31	1258723GT	MOUNT, COVER SUPPORT FRONT	1
32	1253831GT	MOUNT, COVER SUPPORT CTR 93DEG	1
33	1256054GT	HANDLE, YELLOW LOCKING, CODE 455	1
34	1326981GT	COVER, SWING CHASSIS, TANK SIDE	1



307.1 Turntable Covers- Tank Side

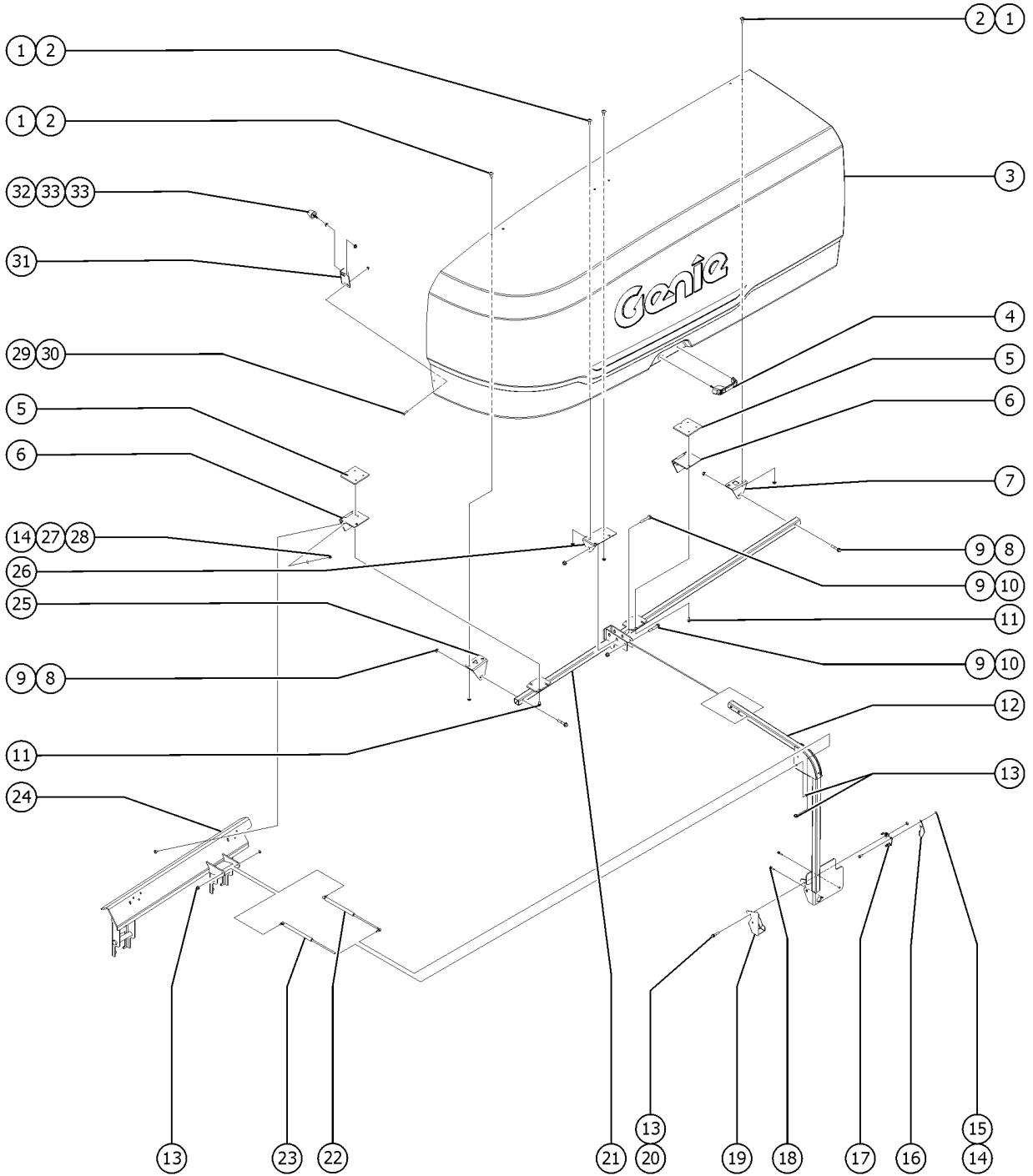


307.1 Turntable Covers- Tank Side

Item	Part No.	Description	Qty.
1	1261836GT	SCREW, THM, TORX, 3/8-16X1,SS	8
2	1257628GT	NUT,SERRATED,3/8-16,ZAG	8
3	1325824GT	COVER, SWING CHASSIS, ENGINE SIDE	1
4	1256054GT	HANDLE, YELLOW LOCKING, CODE 455	1
5	1258724GT	SUPPORT, TAPPED HINGE	2
6	1266902GT	HINGE,,375X.1875THK,SLOTTED	2
7	1258723GT	MOUNT, COVER SUPPORT FRONT	1
8	1253478GT	SCREW,HHF,3/8-16X2,8,ZAG	2
9	1274322GT	NUT,NYLOCK FLG,3/8-16,F,ZAG	5
10	1256856GT	SCREW,HHF,3/8-16X2.5,8,ZAG	3
11	824078GT	SCREW,HHF,1/4-20X.75,8,ZAG	4
12	1267309GT	WLDMT, LOWER COVER SUPPORT	1
13	1274167GT	NUT,NYLOCK FLG,5/16-18,F,ZAG	6
14	1274165GT	NUT,NYLOCK,1/4-20,C,ZAG	8
15	824059GT	SCREW, HHC, 1/4-20 X .75, 8, ZAG	2
16	1262211GT	FORMING, LATCH TRIGGER, ES	1
17	215254GT	LATCH,ROTARY,ENGINE COVER	1
18	231512GT	SCREW,HHF,M6-1.0X25,DIN6921,10.9,ZAB	2
19	1261245GT	FORMING,LATCH GUARD,ES	1
20	1255763GT	SCREW,HHF,5/16-18X1.5,8,ZAG	2
21	1266916GT	WLDMT, HIGHER COVER SUPPORT,ES	1
22	33555GT	BALL STUD**	4
23	28301GT	GAS STRUT,250 LBS FORCE***	2
24	1269081GT	WELDMENT, COVER SUPPORT,ENGINE SIDE	1
25	1258722GT	MOUNT, COVER SUPPORT REAR	1
26	1278128GT	MOUNT, COVER SUPPORT, CENTER	1
27	824113GT	WASHER,FLAT,USS,1/4,ZAG	6
28	1256127GT	BOLT,CARRIAGE,1/4-20X1",GR 5,ZAG	6



307.1 Turntable Covers- Tank Side

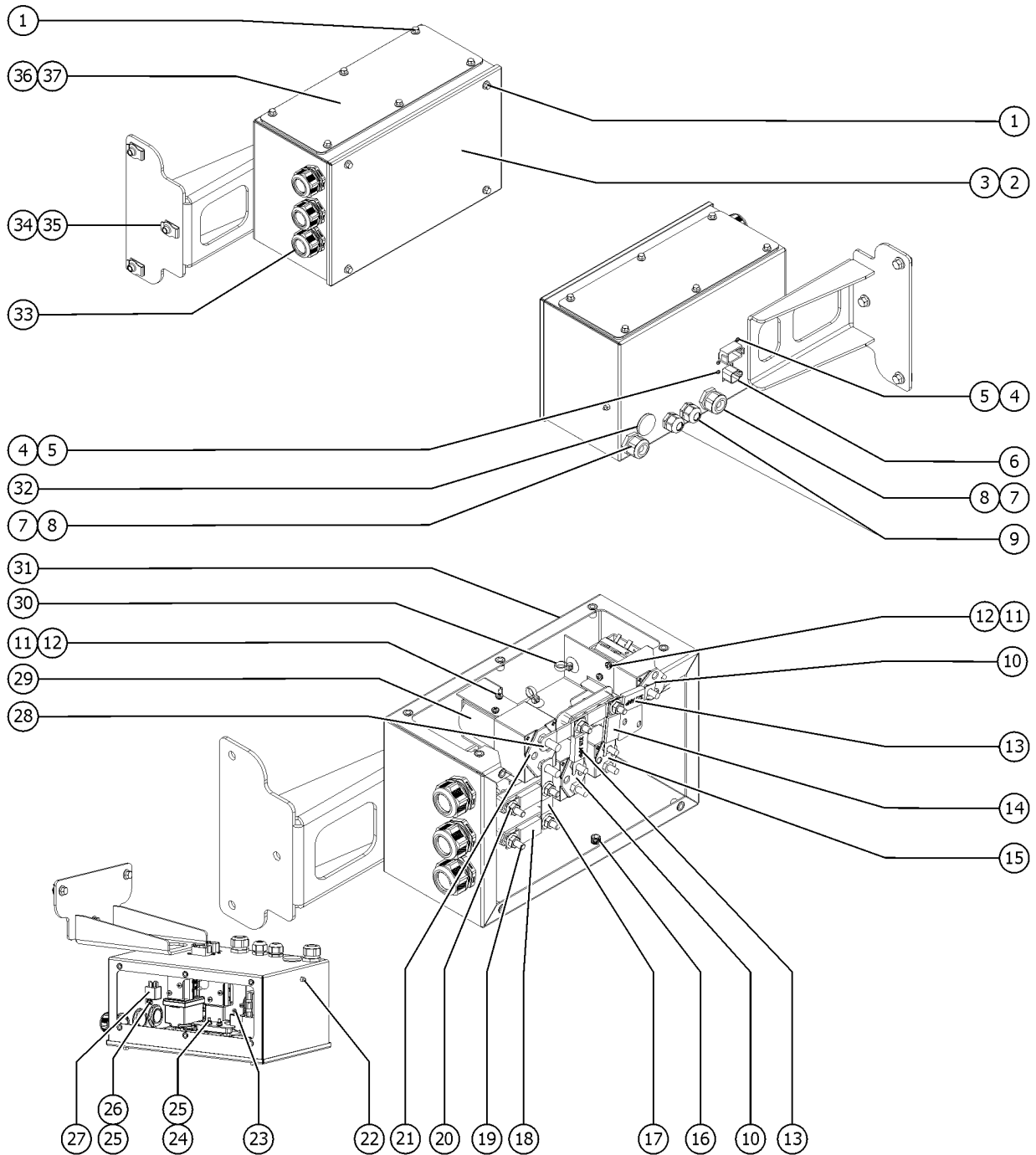


307.1 Turntable Covers- Tank Side

<i>Item</i>	<i>Part No.</i>	<i>Description</i>	<i>Qty.</i>
29	1261837GT	SCREW, THM, TORX, M6X25, ZAB	2
30	231513GT	NUT, TL FLG, M6-1.0, DIN6927, 10, ZAB	2
31	1337067GT	FORMING, BRACKET, BUMPER	1
32	1261277GT	RUBBER BUMPER, 1.25 X 1.25 IN	1
33	1255805GT	NUT, SERRATED, 5/16-18, 8, ZAG	2



308.1 Contactor Box Assembly

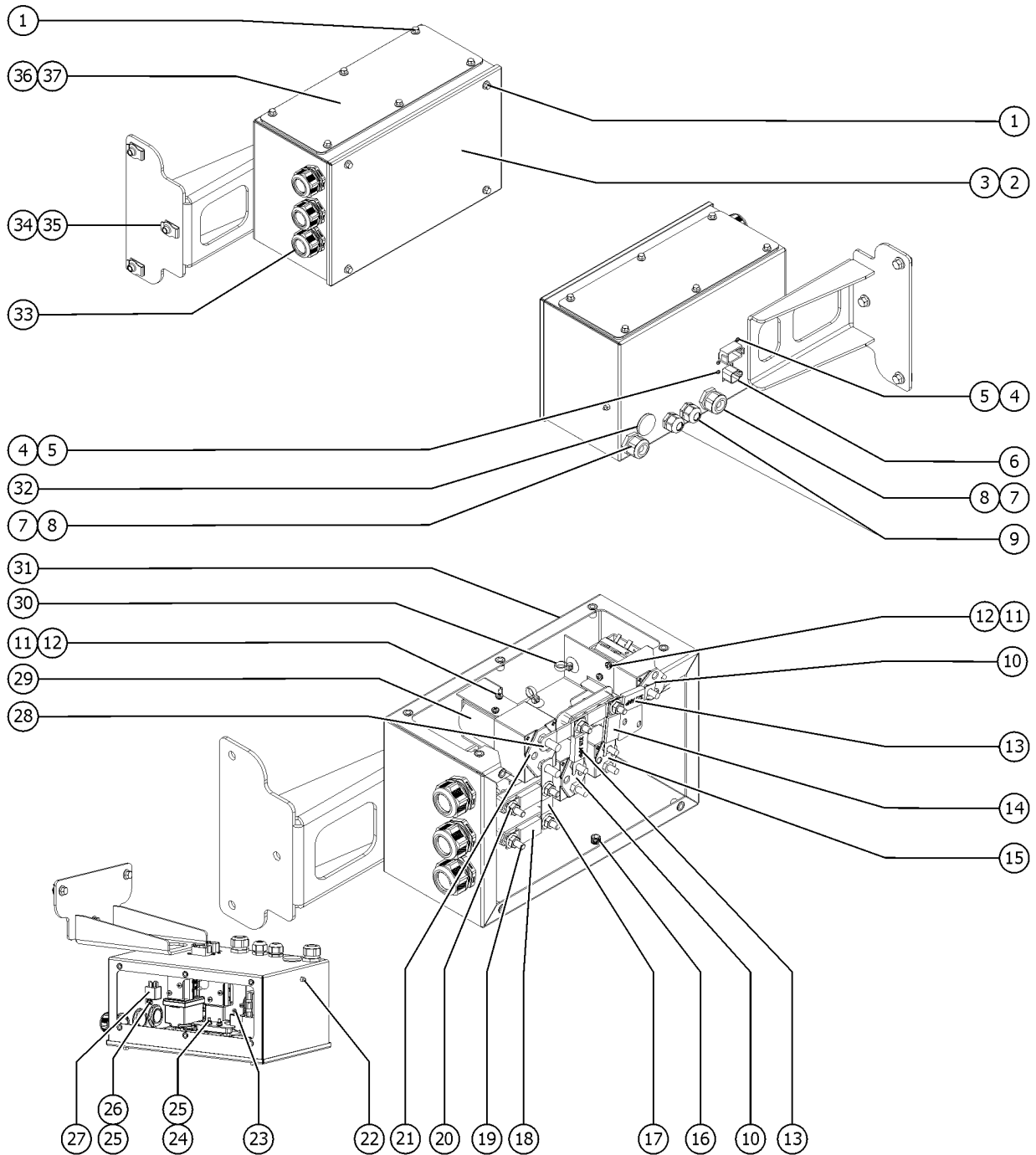


308.1 Contactor Box Assembly

Item	Part No.	Description	Qty.
1	1256855GT	SCREW,HHF,1/4-20X.625,8,ZAG	10
2	1326753GT	FORMING,COVER,CONTACTOR BOX	1
3	1326752GT	GASKET,CONTACTOR BOX	1
4	824214GT	SCREW,PHPM,6-32X.50,ZAG	4
5	1274164GT	NUT,NYLOCK,6-32,A,ZAG	4
6	1322683GT	HARNESS, CONTACTOR BOX	1
7	80341GT	CONNECTOR, SQZ, 3/4 NPT, BLACK	2
8	680250GT	LOCKNUT, CONDUIT 3/4CSA APPVD	2
9	160412GT	WATER PROOF JOINT;PG13.5;M20X1.5	2
10	1303592GT	CONTACTOR, 24V,180A,SPST,BRANDED	2
11	1334390GT	SCREW, PHPM, M5-.8X8, DIN 7985, SSTL	6
12	1335058GT	WASHER, LOCK, #10 SSTL	6
13	215488GT	FUSE,325 AMP,VERY FAST ACTING	2
14	36355GT	FUSE,100 AMP,VERY FAST ACTING	1
15	1304130GT	CONTACTOR,24V,80A,SPST,SEAL,UNBRANDED	1
16	1328119GT	VENT, WITH NUT, PS1YBK-N8001, AIR PERMEABILITY 1000	1
17	1326750GT	COPPER BAR,CONTACTOR BOX,DRIVE	1
18	1326528GT	FUSE, 225 AMP	2
19	66717GT	FUSE BLOCK, ANN & ANL FUSE	3
20	18503GT	NUT, LOCKING - LG FLANGE 5/16 - 18	6
21	1322484GT	CONTACTOR, DRIVE, 24V, 200A	1
22	38020GT	CIRCUIT BREAKER, 15 AMP	1
23	1334391GT	SCREW, PHPM, M4-.7X6, DIN 7985, SSTL	2
24	826783GT	SCREW,FHPM,10-32X.1,00,ZAG	6
25	1283005GT	NUT,NYLOCK FLG,10-32,A,ZAG	7
26	1251757GT	SCREW,PHPM,10-32X.50,ZAG	1
27	78098GT	RELAY, 24VDC, 40/30A, SLD W/BRKT*	1
28	1326749GT	COPPER BAR,CONTACTOR BOX,BUS BAR	1



308.1 Contactor Box Assembly

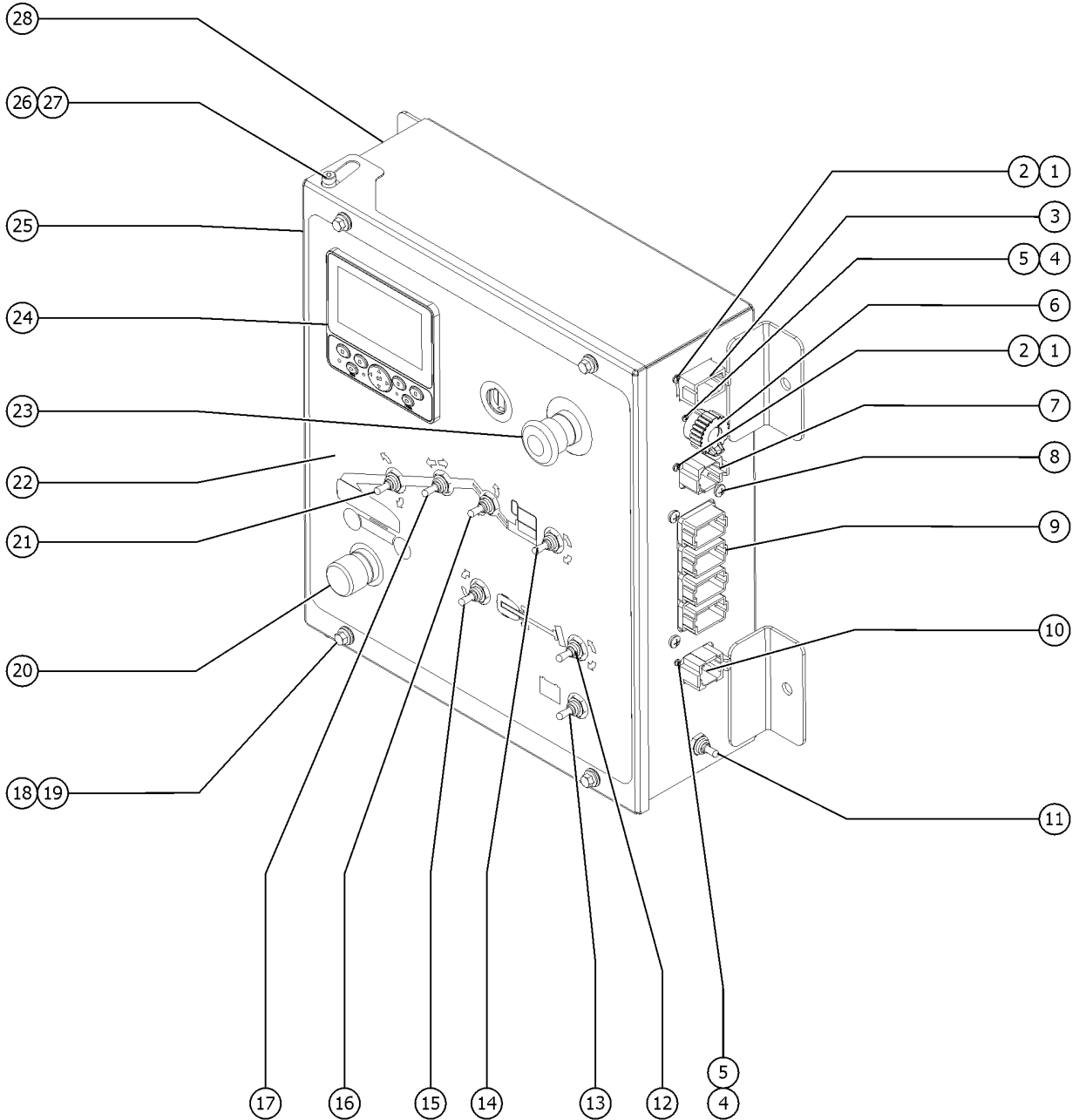


308.1 Contactor Box Assembly

<i>Item</i>	<i>Part No.</i>	<i>Description</i>	<i>Qty.</i>
29	1322484GT	CONTACTOR, DRIVE, 24V, 200A	1
30	110149GT	CABLE TIE,DFT MOUNT,BLK,6.5"	3
31	1326745GT	WELDMENT,CONTACTOR BOX	1
32	106495GT	PLUG,1/2" HUBBLE	1
33	1320998GT	GLAND,32MM,NYLON,CABLE OD 18-25	3
34	29868GT	SPRING CLIP,3/8-16,.05-.20X.73,ZAG	3
35	824089GT	SCREW, HHF, 3/8-16 X .75, 8, ZAG	3
36	1327120GT	FORMING, BRACKET, CONTACTOR BOX, FRONT SIDE	1
37	1327119GT	GASKET, CONTACTOR BOX, FRONT SIDE	1

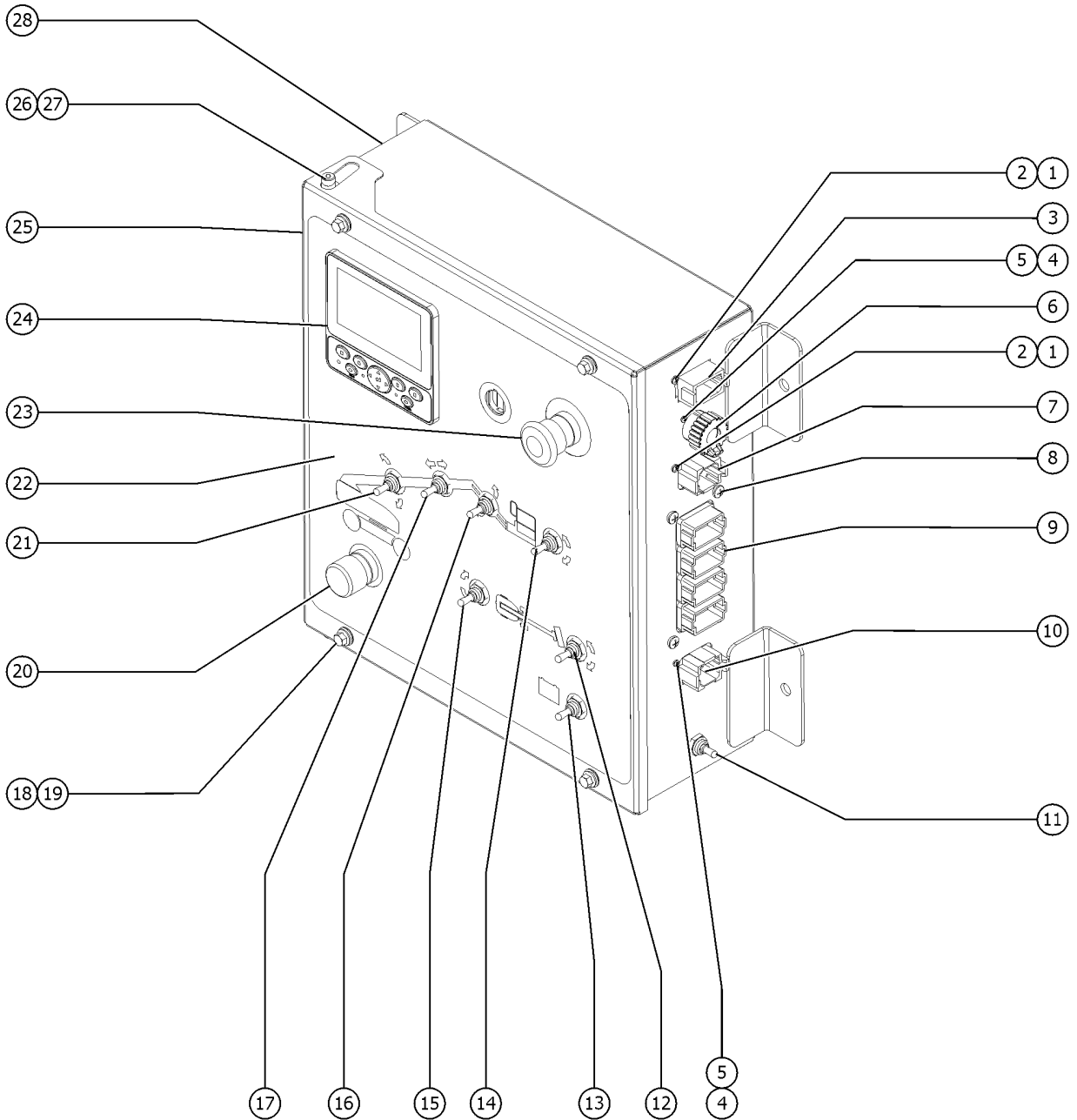


309.1 Ground Control Box, External View



Item	Part No.	Description	Qty.
1	824214GT	SCREW,PHPM,6-32X.50,ZAG	4
2	1274164GT	NUT,NYLOCK,6-32,A,ZAG	4
3	73730GT	CONN, RECEP, 12 WAY, DEUTSCH, DT, GRAY/FLANGE	1
4	1253477GT	SCREW,PHPM,4-40X.5,ZAG	4
5	1283012GT	NUT,NYLOCK,4-40,2,ZAG	4
6	1272123GT	DUST CAP, RECEPTACLE, 5 WAY, CIRCULAR	1
6-	1272122GT	CONN, RECEP, 5 WAY, DEUTSCH, HD10	1
7	87755GT	CONN, RECEP, 8 WAY, DEUTSCH, DT, GRAY/FLANGE	1
8	824226GT	SCREW, PHPSH, #12-11 X .75, ZAG	4
9	73736GT	CONN,RECEP 48 WAY,4 X 12	1
10	1322681GT	CONN, RECEP 8 WAY, 14-18GA, FL, BK	1
11	128202GT	SWITCH TOGGLE ASSY DPDT 3P MOM	1
12	128200GT	SWITCH TOGGLE ASSY SPDT 3P MOM	1
		Platform rotate switch	
13	128200GT	SWITCH TOGGLE ASSY SPDT 3P MOM	1
		Auxiliary power switch	
14	128200GT	SWITCH TOGGLE ASSY SPDT 3P MOM	1
		Platform level switch	
15	128200GT	SWITCH TOGGLE ASSY SPDT 3P MOM	1
		Turntable rotate switch	
16	128200GT	SWITCH TOGGLE ASSY SPDT 3P MOM	1
		Jib boom up/down switch	
17	128200GT	SWITCH TOGGLE ASSY SPDT 3P MOM	1
		Boom extend/retract switch	
18	1256855GT	SCREW,HHF,1/4-20X.625,8,ZAG	4
19	995750GT	WASHER FLAT BONDED RUB	4
20	66813GT	BUTTON,PUSH,BLACK W/SEAL***	1
21	128200GT	SWITCH TOGGLE ASSY SPDT 3P MOM	1
		Boom up/down switch	
22	1322074GT	DECAL, GROUND CONTROL BOX	1
23	66812GT	BUTTON,PUSH,RED MUSHROOM HEAD	1
24	1320949GT	DISPLAY,4.3",COLOR,NAV BUTTON,KEYED	1
25	1321403GT	WELDMENT, LID GBOX	1
26	1257410GT	BOLT,SHS,5/16X.375X1/4-20,ZAG	2
27	218449GT	WASHER,SHOULDER,NYLON	2

309.1 Ground Control Box, External View

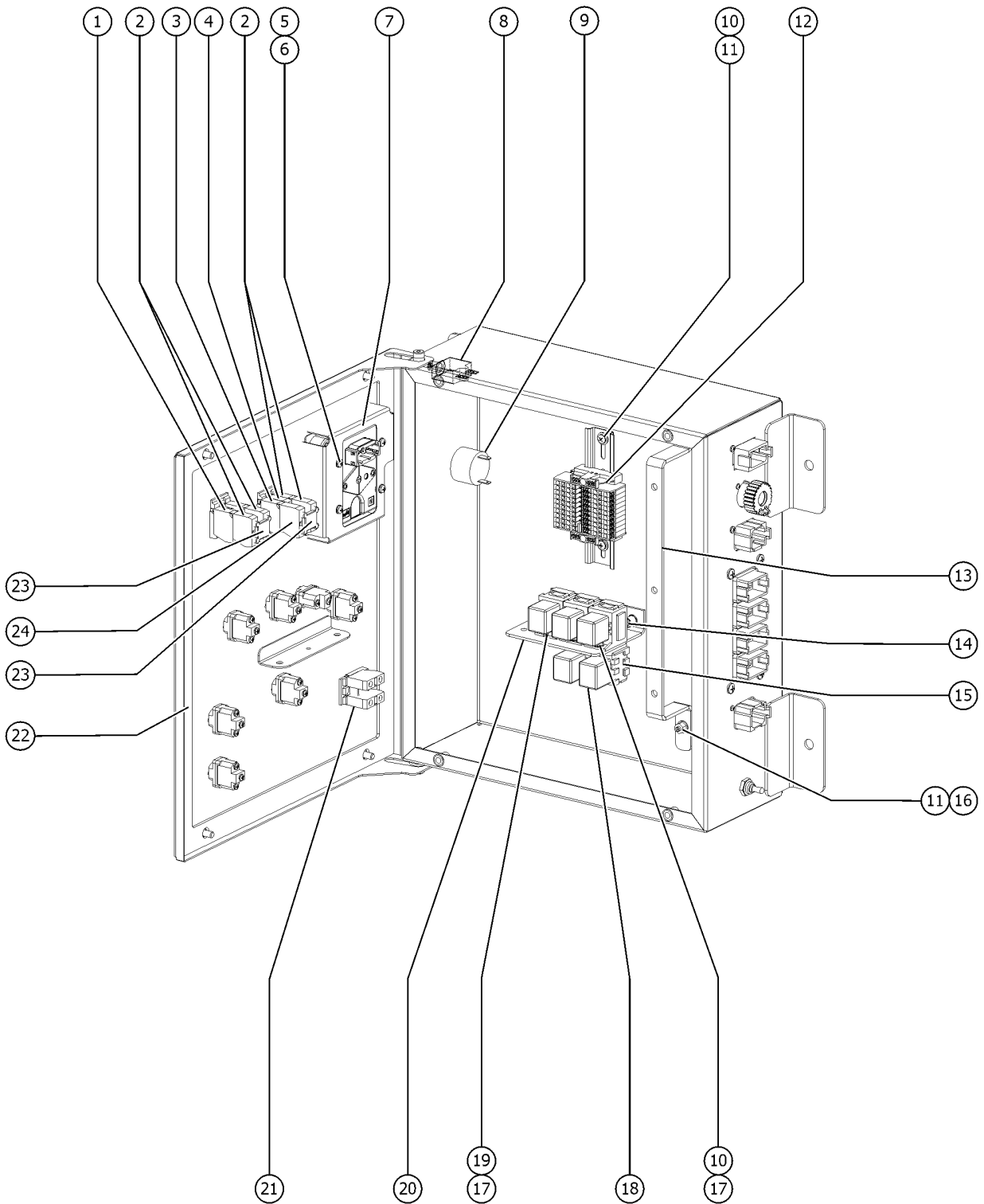


309.1 Ground Control Box, External View

<i>Item</i>	<i>Part No.</i>	<i>Description</i>	<i>Qty.</i>
28	1321405GT	WELDMENT, GBOX	1



310.1 Ground Control Box, Internal View

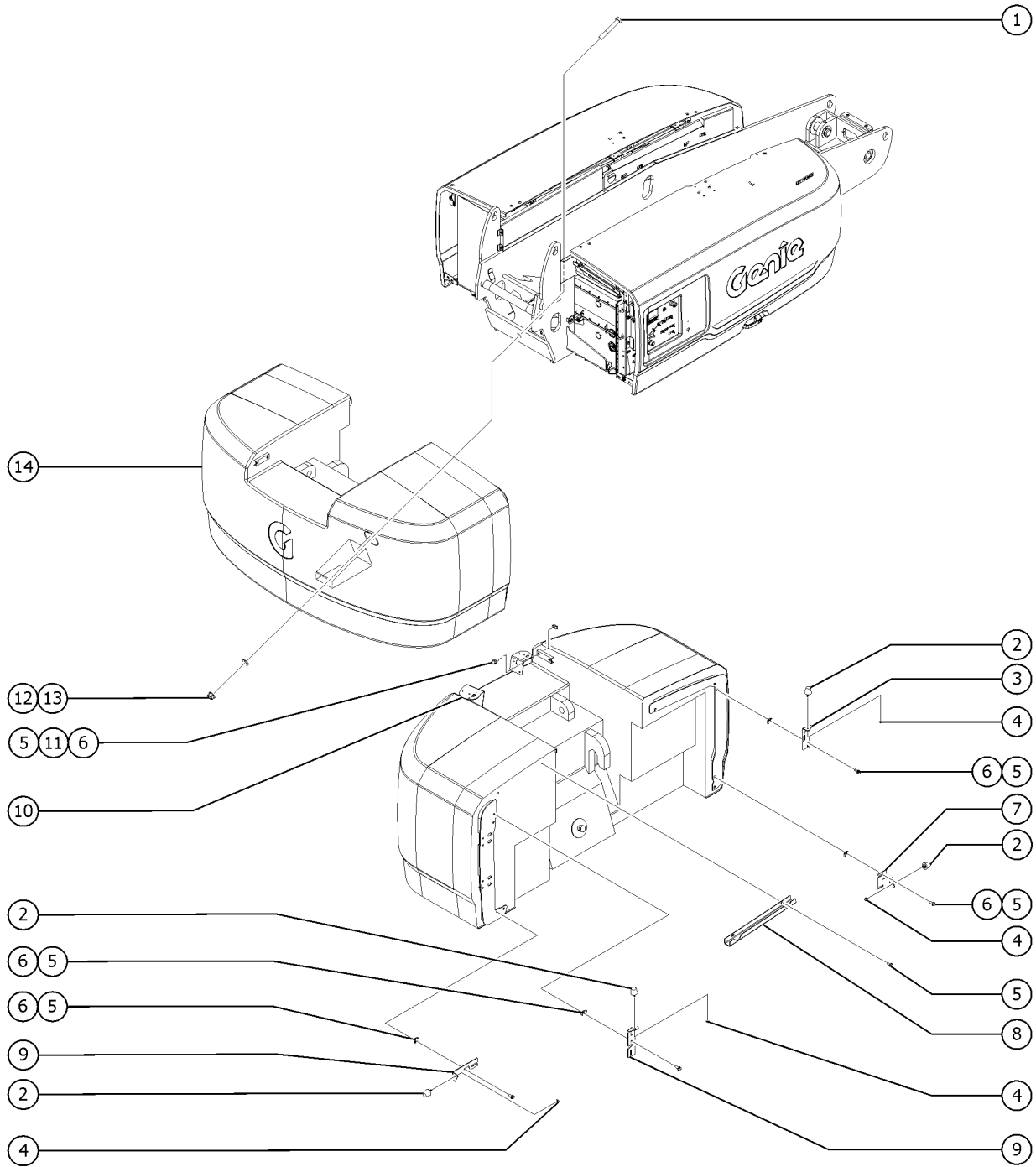


310.1 Ground Control Box, Internal View

Item	Part No.	Description	Qty.
1	73805GT	BASE,W/2 NC CONTACTS***	1
2	66818GT	CONTACT,NC	4
3	66816GT	CONTACT,N.O.***	1
4	66817GT	E-STOP W/ NC CONTACT	1
5	1299395GT	SCREW, PHPM, M4X10, DIN7985, ZINC	4
6	1299401GT	WASHER, FLAT, M4, DIN125, ZINC	4
7	1299413GT	CUSTOM BRACKET, DISPLAY DM430	1
8	147090GT	CIRCUIT BREAKER, 15A	1
9	39540GT	ALARM, STEADY TONE***	1
10	1251757GT	SCREW,PHPM,10-32X.50,ZAG	4
11	1253185GT	WASHER,FLAT,#10,USS,ZAG	4
12	1325200GT	ASSY TERM RAIL, 10 CIRCUITS	1
13	1321408GT	BRACKET, TBOX WIRE SUPPORT	1
14	1256855GT	SCREW,HHF,1/4-20X.625,8,ZAG	2
15	34053GT	ASSY,RELAY SOCKET,AUTO***	5
16	1274168GT	NUT,NYLOCK,10-32,A,ZAG	2
17	1283005GT	NUT,NYLOCK FLG,10-32,A,ZAG	3
18	56302GT	RELAY,24VDC,40/30A,SEALED***	5
19	825349GT	SCREW,PHPM,10-32X.38,ZAG	1
20	54534GT	ASSY,ANGLE,RELAY MNT,W/NUTSERTS	1
21	66814GT	BASE,WITH 2 N.O. CONTACTS***	1
22	218090GT	GASKET, GROUND CONTROL BOX	1
23	122366GT	KEYSWITCH,CONTACTS LOCK	2
24	122367GT	KEYSWITCH,DUMMY BLOCK	1



311.1 Turntable Counterweight

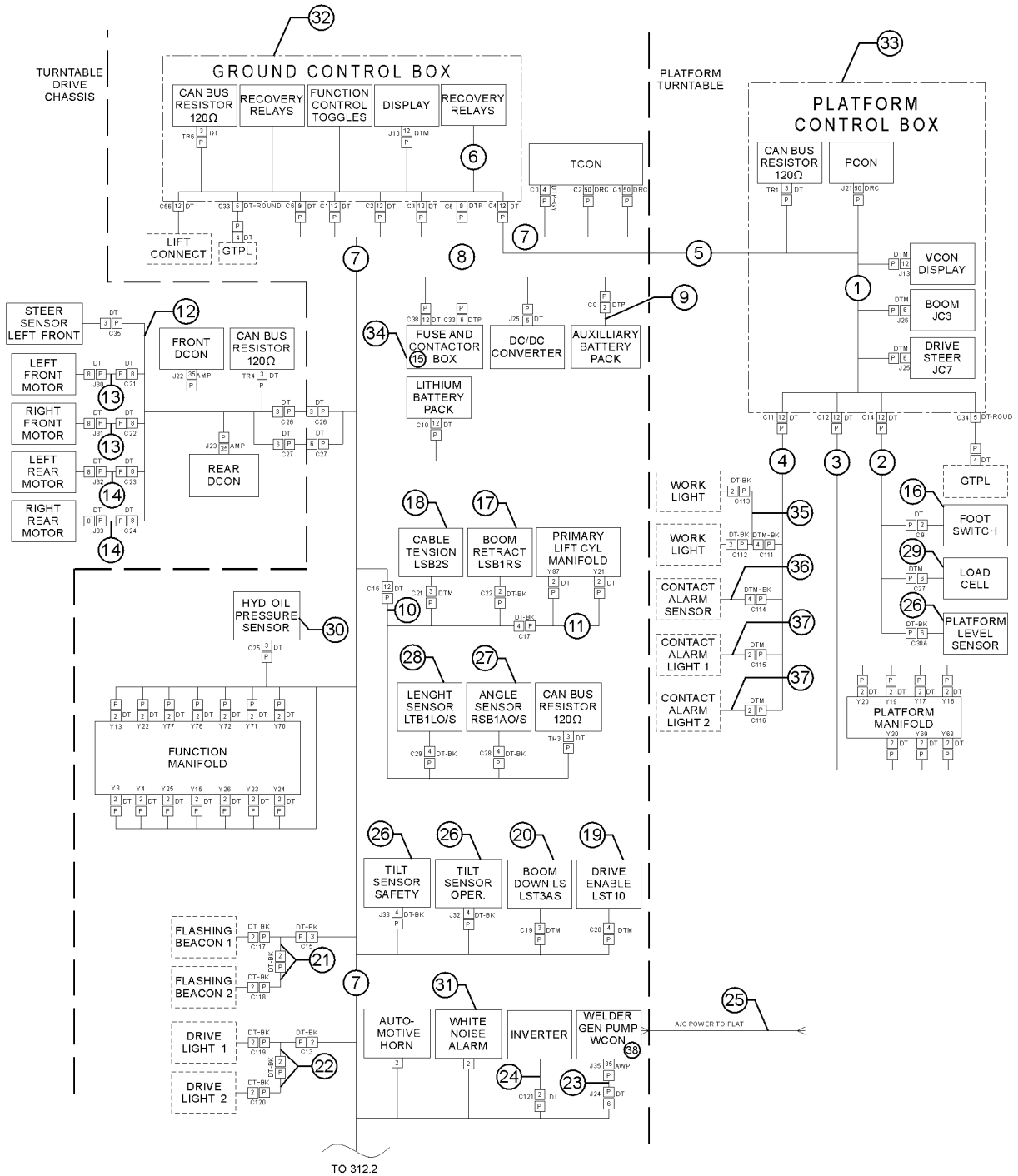


311.1 Turntable Counterweight

<i>Item</i>	<i>Part No.</i>	<i>Description</i>	<i>Qty.</i>
1	1258563GT	SCREW,HHC,1-8X7,8,ZAG	1
2	30973GT	BUMPER,RUBBER-1 X 1.25	4
3	1327783GT	FORMING,BRKT,ENGINE COVER	1
4	1255805GT	NUT,SERRATED,5/16-18,8,ZAG	4
5	824090GT	SCREW,HHF,3/8-16X1,8,ZAG	14
6	29868GT	SPRING CLIP,3/8-16,.05-.20X.73,ZAG	12
7	1327782GT	FORMING,BRKT,ENGINE COVER	1
8	1276677GT	FORMING, RAIN TRAY	1
9	1272231GT	FORMING,BRKT,TANK COVER	2
10	1253796GT	FORMING, LIGHT/BEACON BRKT,LH	1
11	1253795GT	FORMING, LIGHT/BEACON BRKT,RH	1
12	824031GT	NUT, TL FLG, 1-8, G, ZAG	1
13	824116GT	WASHER,FLAT,1.0,F436,HRD,ZAG	1
14	1319370GT	COUNTERWEIGHT, S-85XC FE/E	1



312.1 Wire Harness Diagram - View 1



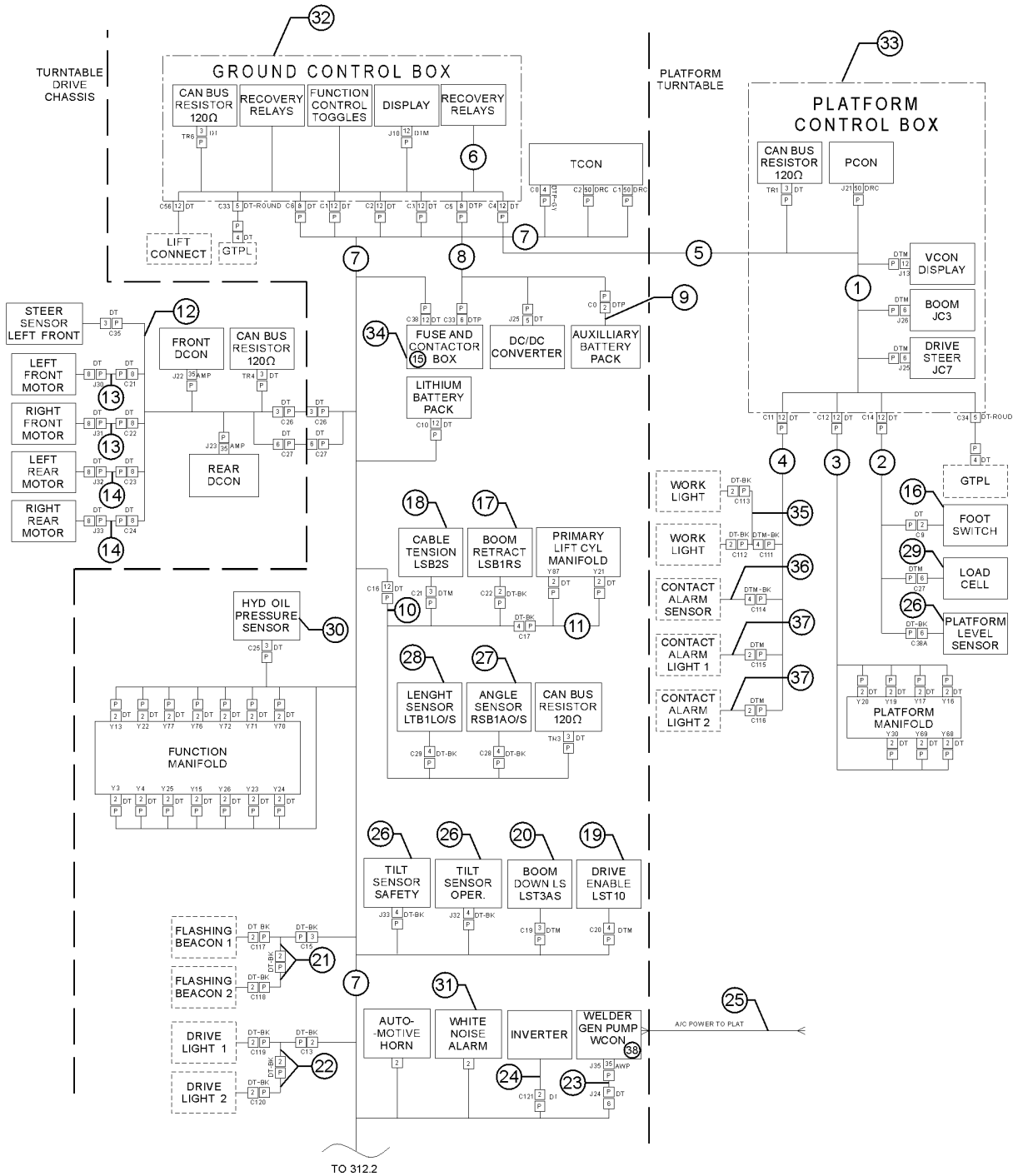
TO 312.2



Item	Part No.	Description	Qty.
1	1320336GT	HARNESS, DM430 PCON S85 DC/FE	1
2	1320363GT	HARNESS, PLATFORM SENSOR, S85 DC/FE	1
3	1320361GT	HARNESS, PLATFORM MANIFOLD, S85 DC/FE	1
4	1320364GT	HARNESS, CONTACT ALARM	1
5	1320785GT	CABLE,BOOM,COMPOSITE,S85 DC	1
6	1321463GT	HARNESS, GBOX, S85DC	1
7	1322685GT	HARNESS, SWING TABLE	1
8	1322684GT	HARNESS, DC POWER	1
9	1326123GT	HARNESS, AUXILLIARY BATTERY FUSES	1
10	1322156GT	HARNESS, BOOM SENSORS	1
11	1322157GT	ASSY CABLE, BOOM DOWN VALVES	1
12	1320786GT	HARNESS, DRIVE CHASSIS, DANA S85 DC/FE	1
13	1323097GT	HARNESS, FRONT TRACTION CONTROL CABLES, DC/FE, S85	2
14	1323098GT	HARNESS, REAR TRACTION CONTROL CABLES, DC/FE, S85	2
15	1322683GT	HARNESS, CONTACTOR BOX	1
16	227618GT	ASSEMBLY,FOOTSWITCH	1
17	1327390GT	SWITCH ASSY, LSB1RS, 139644-14B80	1
18	1327389GT	SWITCH ASSY, LSB2S, NC, PROX	1
19	1324040GT	SWITCH ASSY, LST1O, NO, PROX	1
20	1323100GT	SWITCH ASSY, LSB3AS, NO, PROX	1
21	1269729GT	HARNESS, BEACONS, FLASHING	1
22	1269724GT	HARNESS, LIGHTS, DRIVE	1
23	1323101GT	HARNESS, LIFT POWER, S85 DC/FE	1
24	1328274GT	ASSY CABLE, 3KW INVERTER WIRING	1
25	1296207GT	CABLE, POWER TO PLAT, S85 XC, 12/3 CABLE	1
26	823368GT	SENSOR,LEVEL,UNIVERSAL	2
27	1275778GT	ANGLE SENSOR,360DEG,CAN(R/B 1276511GT)	2
28	1319559GT	LENGTH TRANSDUCER, 400 IN, CAN ID 47	1



312.1 Wire Harness Diagram - View 1



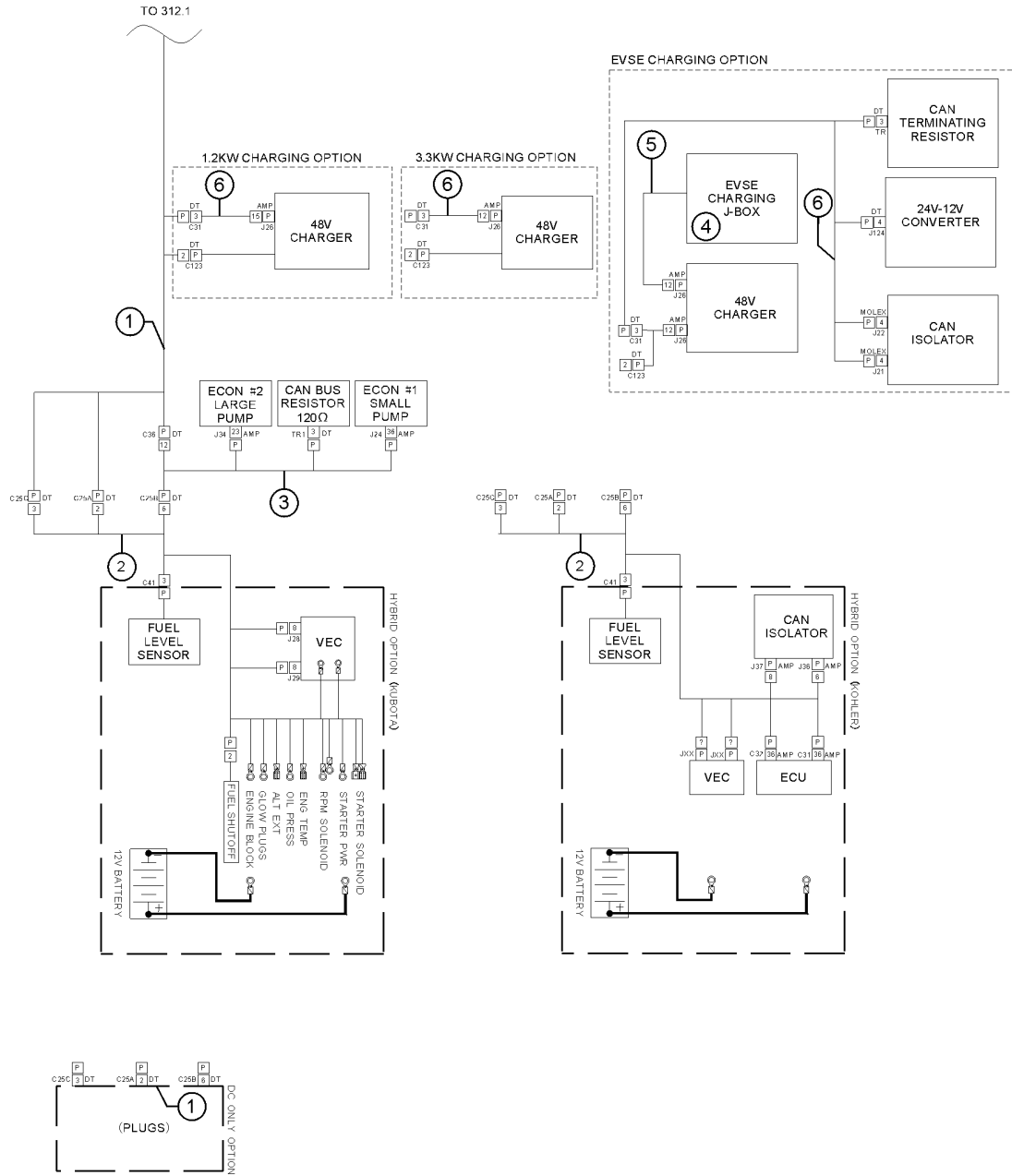
TO 312.2



<i>Item</i>	<i>Part No.</i>	<i>Description</i>	<i>Qty.</i>
29	1270278GT	LOAD CELL, J1939, 650KG/1433LB (1280949GT)	1
30	1291577GT	PRESSURE TRANSDUCER,0-5K PSI	1
31	1315359GT	ASSEMBLY, ALARM, WHITE NOISE, 97dB	1
32	1322589GT	ASSY, TCON,S85DC	1
33	1322586GT	ASSY, PBOX, S-85 XC FE/E	1
34	1326741GT	ASSEMBLY,CONTACTOR BOX	1
35	1279075GT	HARNESS,PLAT,WORKLIGHT,12V	1
36	1278119GT	ASSEMBLY,SENSOR, PROX,CONTACT ALARM	1
37	1308384GT	ASSY, LIGHTS, 12/24 V CONTACT ALARM, AMBER	1
38	1269735GT	HARNESS, ENCLOSURE WELDER	1



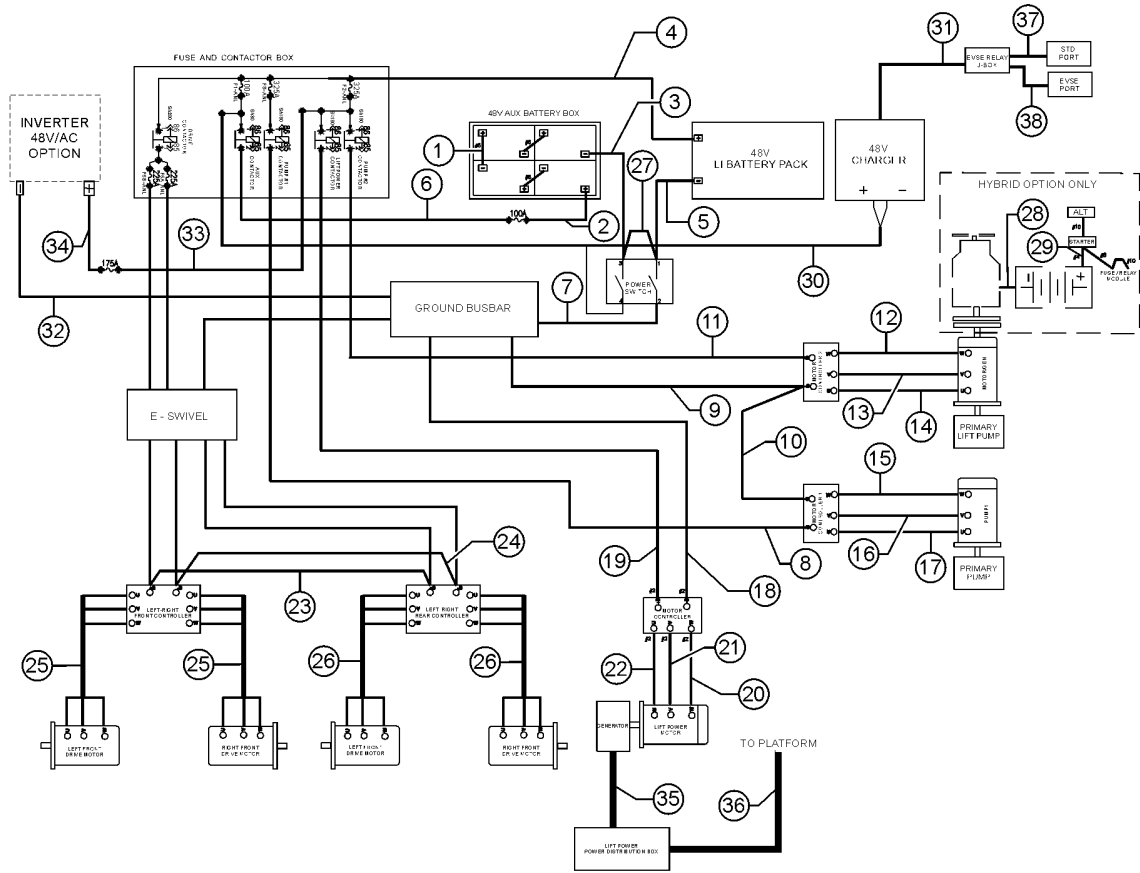
312.2 Wire Harness Diagram - View 2



<i>Item</i>	<i>Part No.</i>	<i>Description</i>	<i>Qty.</i>
1	1322685GT	HARNESS, SWING TABLE	1
2	1323093GT	HARNESS, ENGINE, FE KUBOTA, S85 FE model	1
3	1322689GT	HARNESS, PUMPS, DANA MOTOR	1
		E model	
3B	1323099GT	HARNESS, PUMPS, DANA MOTOR, FE	1
		FE model	
4	1334239GT	HARNESS, EVSE, JUNCTION BOX	1
5	1334238GT	ASSY CABLE, EVSE, PILOT	1
6	1329289GT	HARNESS, CHARGER CAN, XV3300	1
6B	1329288GT	HARNESS, CHARGER CAN, IC1200	1
6C	1334237GT	HARNESS, EVSE, CONVERTER ISOLATOR	1



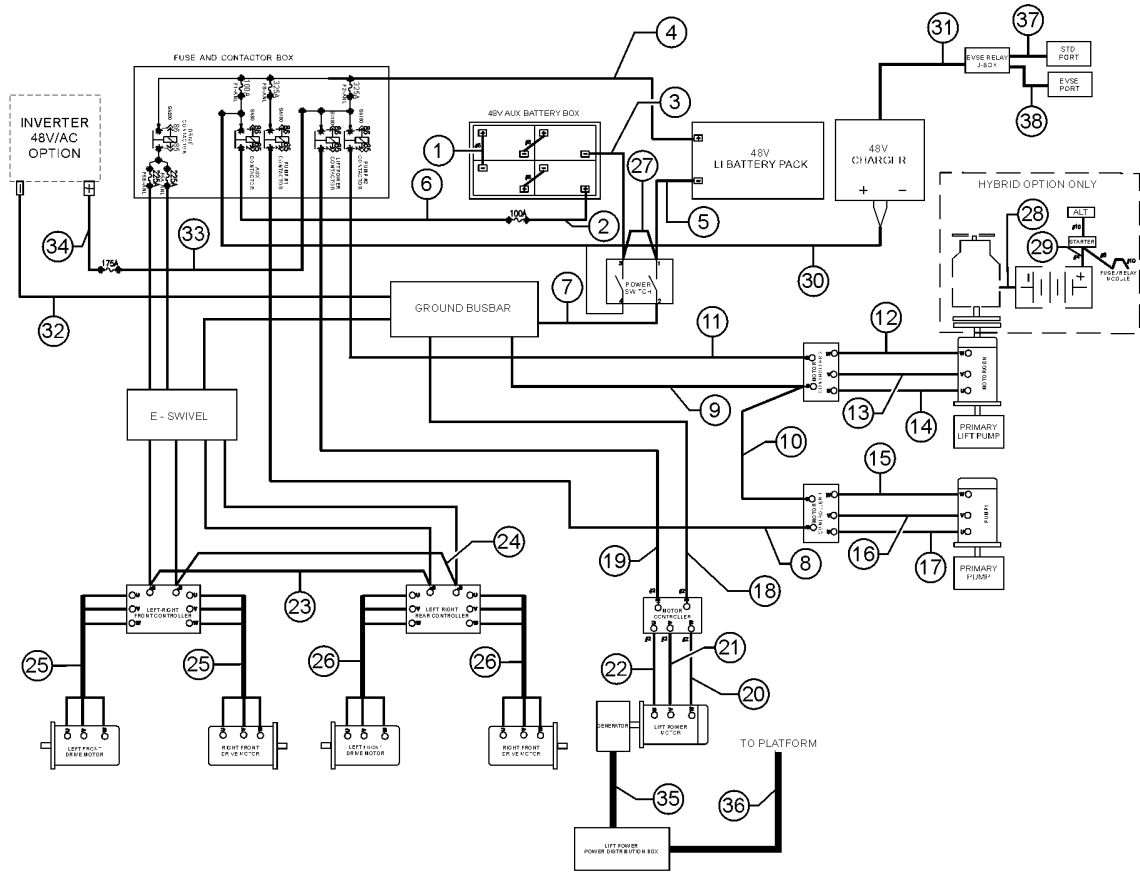
312.3 Wire Harness Diagram - View 3



Item	Part No.	Description	Qty.
1	1321368GT	CABLE, AUX BAT JUMPER	3
2	1321369GT	CABLE, AUX BAT B+ TO FUSE	1
3	1321370GT	CABLE, AUX BAT B- TO SWITCH	1
4	1321371GT	CABLE, LI BAT B+ TO FUSE BOX	1
5	1321372GT	CABEL, LI BAT B- TO SWITCH	1
6	1321373GT	CABLE, AUX BAT B+, FUSE TO FUSE BOX	1
7	1321374GT	CABLE, LI BAT B-, SWITCH TO GND BUS	1
8	1321375GT	CABLE, FUSE BOX TO PUMP1 CONTROLLER B+	1
9	1321376GT	CABLE, GND BUS TO PUMP1 CONTROLLER B-	1
10	1321377GT	CABLE, GND, PUMP1 B- TO PUMP2 B-	1
11	1321378GT	CABLE, FUSE BOX TO PUMP2 CONTROLLER B+	1
12	1327561GT	CABLE, PUMP2 CONTROLLER TO PUMP2 W, FE FE model	1
13	1327562GT	CABLE, PUMP2 CONTROLLER TO PUMP2 V, FE FE model	1
14	1327563GT	CABLE, PUMP2 CONTROLLER TO PUMP2 U, FE FE model	1
15	1321382GT	CABLE, PUMP CONTROLLER TO PUMP W FE model	1
15B	1321382GT	CABLE, PUMP CONTROLLER TO PUMP W E model	2
16	1321383GT	CABLE, PUMP CONTROLLER TO PUMP V FE model	1
16B	1321383GT	CABLE, PUMP CONTROLLER TO PUMP V E model	2
17	1321384GT	CABLE, PUMP CONTROLLER TO PUMP U FE model	1
17B	1321384GT	CABLE, PUMP CONTROLLER TO PUMP U E model	2
18	1321385GT	CABLE, GND BUS TO LIFTPOWER CONTROLLER B-	1
19	1321386GT	CABLE, FUSE BOX TO LIFTPOWER CONTROLLER B+	1
20	1321387GT	CABLE, LIFTPOWER CONTROLLER TO W	1
21	1321388GT	CABLE, LIFTPOWER CONTROLLER TO V	1
22	1321389GT	CABLE, LIFTPOWER CONTROLLER TO U	1
23	1322158GT	CABLE ASSY, JUMPER DRIVE CONTROLLER B+	1
24	1322159GT	CABLE ASSY, JUMPER DRIVE CONTROLLER B-	1
25	1323097GT	HARNESS, FRONT TRACTION CONTROL CABLES, DC/FE, S85	2



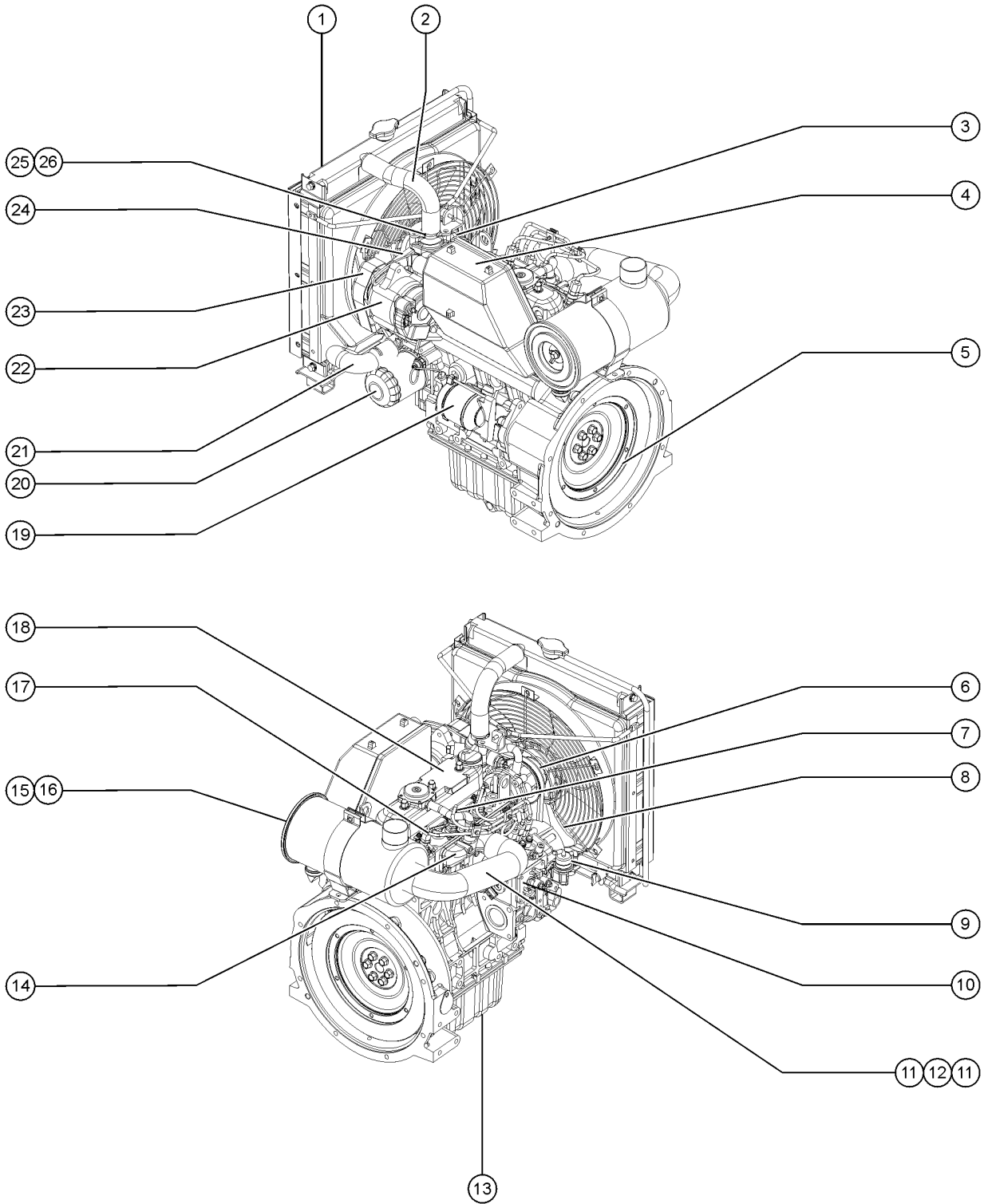
312.3 Wire Harness Diagram - View 3



<i>Item</i>	<i>Part No.</i>	<i>Description</i>	<i>Qty.</i>
26	1323098GT	HARNESS, REAR TRACTION CONTROL CABLES, DC/FE, S85	2
27	1328109GT	CABLE ASSY, GND JUMPER, SWITCH	1
28	1265583GT	CABLE ASSY, ENGINE TO GROUND	1
29	1265580GT	CABLE ASSY, STARTER TO POWER	1
30	1328272GT	ASSY CABLE, DC PORT CHARGER	1
		E model	
30B	1329270GT	HARNESS CHARGER DC CABLE 2/10 GA	1
31	1329261GT	ASSY CABLE, AC PORT CHARGER	1
		E model (1.2KW Charger AC Cable)	
31B	1337063GT	ASSY CABLE AC PORT CHARGER, SHORT	1
		1.2KW Charger AC Cable	
31C	1272557GT	POWER CORD, IEC 320, 90 DEG	1
		3.3KW Charger AC Cable	
31D	1336812GT	ASSY, POWER CORD, IEC 320, 90°	1
		3.3KW Charger AC Cable	
31E	1337228GT	POWER CORD, IEC 320, 90°, CUT	1
		3.3KW Charger AC Cable	
32	1332693GT	CABLE, GND, INVERTER	1
33	1332695GT	CABLE, CON BOX TO FUSE, INVERTER	1
34	1332694GT	CABLE, FUSE TO INVERTER	1
35	1328000GT	HARNESS, CABLE, 8/5, LIFT POWER	1
36	106115GT	WIRE CABLE 8 GA/4 CON.SO	1
37	1338587GT	CABLE, 12/3, SJEOW, 40 INCH, BR/BL/GR-Y, NA	1
		North America	
37B	1337953GT	CABLE, 12/3 SJEOW, 40 INCH, BR/BL/GR-Y	1
		Other market	
38	1334142GT	ASSEMBLY, EV PORT, J1772	1
38B	1335174GT	ASSEMBLY, EV PORT, IEC TYPE 2	1



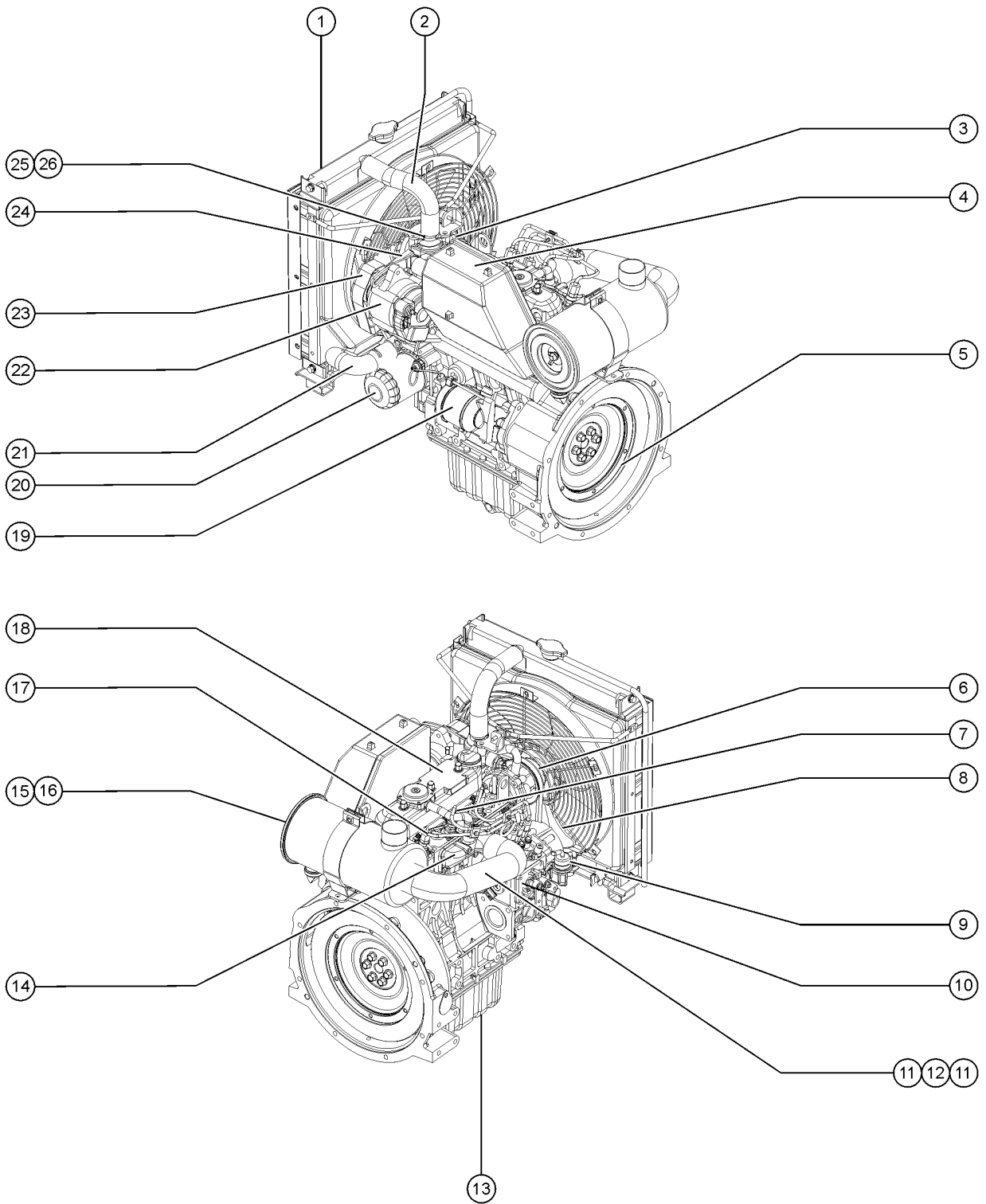
401.1 Kubota D1105 Engine, View 1



Item	Part No.	Description	Qty.
A	1322076GT	ASSEMBLY, ENGINE, KUBOTA D1105	1
1	110523GT	CAP,RADIATOR,AL,KUBOTA DF-752	1
1-	112531GT	RADIATOR ASSY,ALUM.D-905	
2	1288002GT	HOSE,UPPER RAD,KUBOTA D1105 HYB	1
2-	32185GT	CLAMP,HOSE purchase separately	
3	44195GT	ALTERNATOR STAY, D905	1
		use until exhausted	
3B	116833GT	KUBOTA DYNAMO STAY	1
4	131378GT	MUFFLER ASSEMBLY	1
5	1309426GT	FLYWHEEL	1
6	52531GT	PULLEY,FAN,KUBOTA, D-905,GS68	1
7	1310270GT	GLOW PLUG	3
8	101200GT	FAN DRIVE PULLEY,KUBOTA	1
9	1310269GT	FUEL PUMP GASKET	1
10	1310274GT	SPEED CONTROL ASSY	1
11	62114GT	CLAMP-HOSE, AIR CLEANER	2
12	43700GT	PIPE,INLET, D905	1
13	1310273GT	OIL PAN	1
14	1310272GT	INLET MANIFOLD	1
15	32184GT	AIR CLEANER KIT,KUBOTA D905	1
15-	31745GT	FILTER,AIR,D905	1
16	101204GT	AIR CLEANER STAY	1
17	1310271GT	INJECTOR, FUEL	3
18	1310275GT	VALVE COVER	1
19	65837GT	STARTER,KUBOTA D905 VERS 2***	1
		use until exhausted	
19B	866101GT	KUBOTA STARTER D1105/905	1
20	31744GT	FILTER,OIL,KUBOTA D-905/D-1105	1
21	1288003GT	HOSE,LOWER RAD,KUBOTA D1105 HYB	1
21-	32185GT	CLAMP,HOSE	



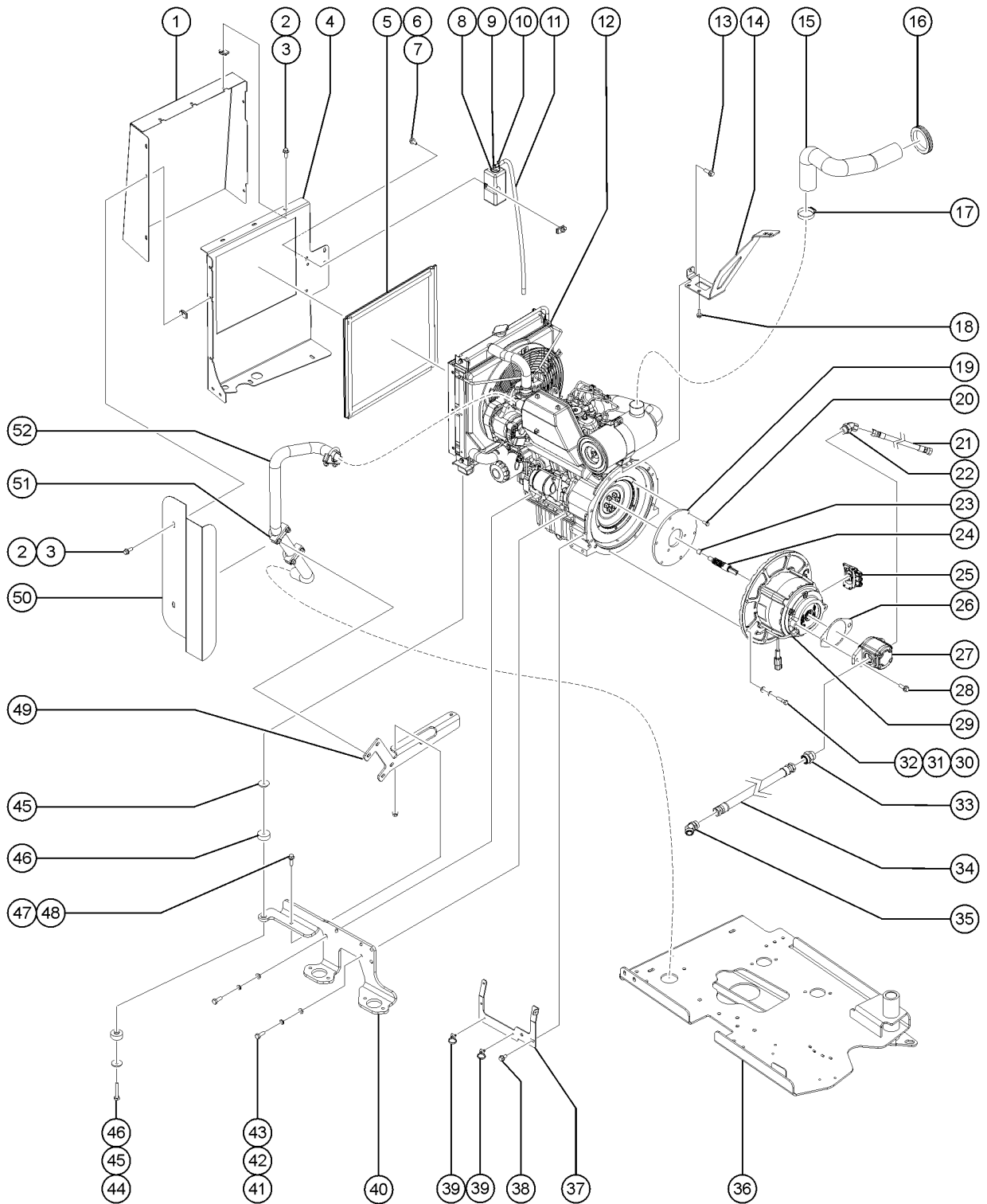
401.1 Kubota D1105 Engine, View 1



<i>Item</i>	<i>Part No.</i>	<i>Description</i>	<i>Qty.</i>
22	1310267GT	ALTERNATOR Use untill exhausted. Replaced by 866090	1
22B	866090GT	KUBOTA ALTERNATOR, D905	1
23	131373GT	COVER, FAN	1
24	1310268GT	FAN BELT	1
25	139279GT	THERMOSTAT COVER	1
26	139278GT	THERMOSTAT	1

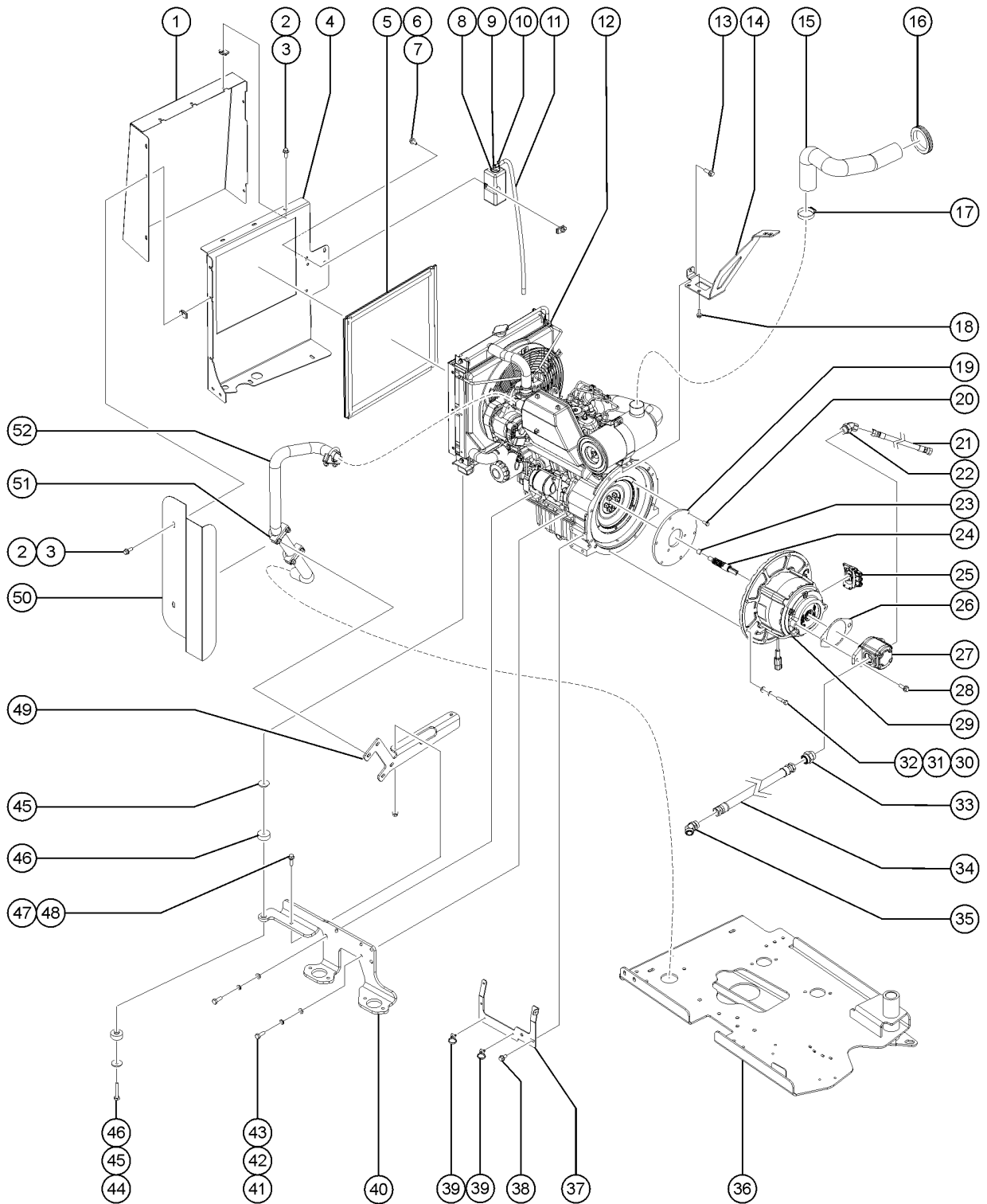


402.1 Kubota D1105 Engine, View 2



Item	Part No.	Description	Qty.
-	1296457GT	MOTOR, AC, PUMP-GENERATOR (included with item 16, 20, 21, 22, 23, 26)	1
1	1326896GT	FORMING, AIR SCOOP, KUBOTA D1105	1
2	824090GT	SCREW,HHF,3/8-16X1,8,ZAG	8
3	29868GT	SPRING CLIP,3/8-16,.05-.20X.73,ZAG	8
4	1320954GT	FORMING, BAFFLE PLATE	1
5	119219-1638GT	TRIM,EDGE,1/8X3/4 END BULB	4
6	1256855GT	SCREW,HHF,1/4-20X.625,8,ZAG	2
7	56912GT	SPRING CLIP,1/4-20,.025-.15X.54,ZAG	2
8	31982GT	CLAMP,HOSE,1 EAR, 15/32	2
9	94532GT	BOTTLE,COOLANT RECOVERY,1.4***	1
10	21465GT	CLAMP,HOSE,.25" - .63" X .3125	1
11	106226GT	TUBING,VINYL,1/2" CLEAR 36 Inches	1
12	1294352GT	ENGINE KUBOTA D1105-E4B-GNI-4	1
13	824132GT	SCREW,HHF,M8-1.25X20,DIN6921,10.9,ZAB	1
14	1337846GT	FORMING, AIR INTAKE PIPE SUPPORT	1
15	1320483GT	HOSE, AIR INTAKE ELBOW	1
16	55067GT	GROMMET,RUBBER 3 X .19 X 3.5	1
17	35434GT	CLAMP,HOSE,2.00***	1
18	824133GT	SCREW,HHF,M8-1.25X25,DIN6921,10.9,ZAB	2
19	1311694GT	ASSEMBLY, DAMPER	1
20	1256464GT	SCREW,HHC,5/16-18X.75,8,ZAG	6
21	89871-6048GT	ASSY, HOSE, HYD, -12, 4000, STR, STR	1
21-	48841GT	HOSE END,FEM SW,ORFS,-12-12	2
21-	94358GT	HOSE,3/4",HYD,4000 PSI	
22	48963GT	FITTING,ELBOW,45D,520320-12	1
23	1311692GT	BUSH, BRONZE, OIL FILLED	1
24	1314749GT	SHAFT, GENERATOR, 172.0mm	1
25	1311693GT	TERMINAL ACCESSORY PACK	1

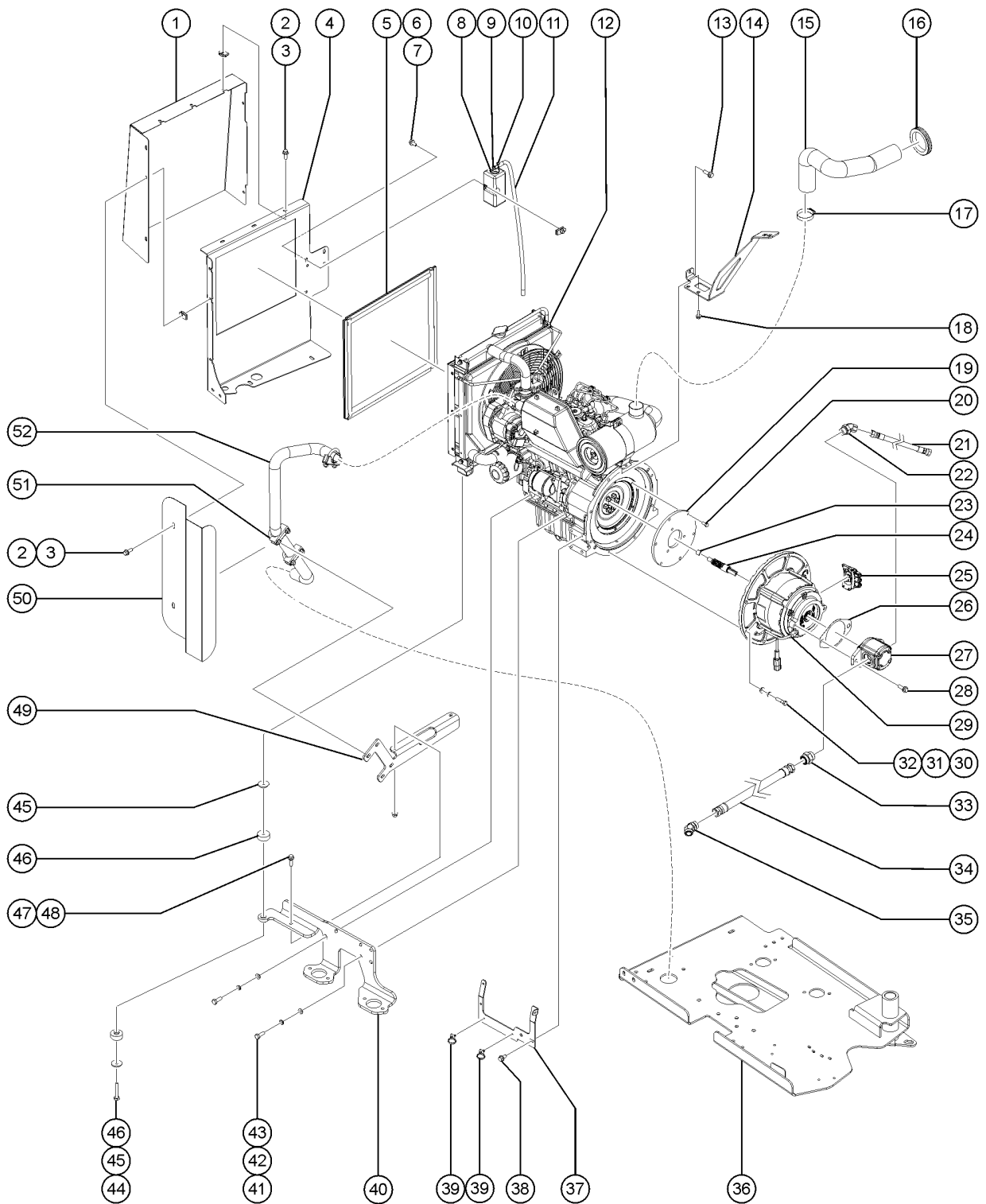
402.1 Kubota D1105 Engine, View 2



Item	Part No.	Description	Qty.
26	1311695GT	GASKET, 200 SERIES, OEG, PUMP INTERFACE	1
27	1318729GT	PUMP, GEAR, FUNCTION, 15CC, 13TH	1
28	232874GT	SCREW,HHF,M10-1.5X30,DIN6921,10.9,ZAB	2
29	1314340GT	MOTOR, AC, PUMP-GENERATOR	1
30	1256118GT	SCREW,HHC,3/8-16X1.5,8,ZAG	8
31	824110GT	WASHER, LOCK, 3/8, ZAG	8
32	826793GT	WASHER,FLAT,3/8,SAE,HRD,ZAG	8
33	75654GT	CONN,520120-20	1
34	88441-3840GT	ASSY, HOSE, HYD, -20, 200, STR, STR	1
34-	88478GT	HOSE,1.25" SAE 100R4	1
34-	88477GT	HOSE END,FEM SW,ORFS 20-20	2
34-	88474GT	CRIMP SHELL,1.25"	2
35	88353GT	ELBOW,45D,520320-20	1
36		WELDMENT, ENGINE TRAY	1
		refer to 404.1	
37	1303750GT	FORMING STARTER HARNESS MOUNT	1
38	824089GT	SCREW, HHF, 3/8-16 X .75, 8, ZAG	2
39	110149GT	CABLE TIE,DFT MOUNT,BLK,6.5"	2
40	1306614GT	FORMING, ENGINE LEG LEFT, D1105	1
41	824138GT	SCREW, HHC, M10-1.25 X 30, DIN961, 10.9, ZAB	6
42	824142GT	WASHER, LOCK, M10, ZAB	6
43	824145GT	WASHER, FLAT, DIN125, M10, ZAB	6
44	1306620GT	SCREW, HHC, M10-1.25 X 65, DIN961, 10.9, ZAB	1
45	1268468GT	WASHER,FLAT,.406X1.50X.125,ZAG	2
46	24038GT	SHOCK MOUNT,SMALL	2
47	824091GT	SCREW, HHF, 3/8-16 X 1.25, 8, ZAG	1
48	1274322GT	NUT,NYLOCK FLG,3/8-16,F,ZAG	1
49	1306615GT	FORMING, BRKT, EXHAUST UPPER	1
50	1320716GT	FORMING, EXHAUST SHIELD	1



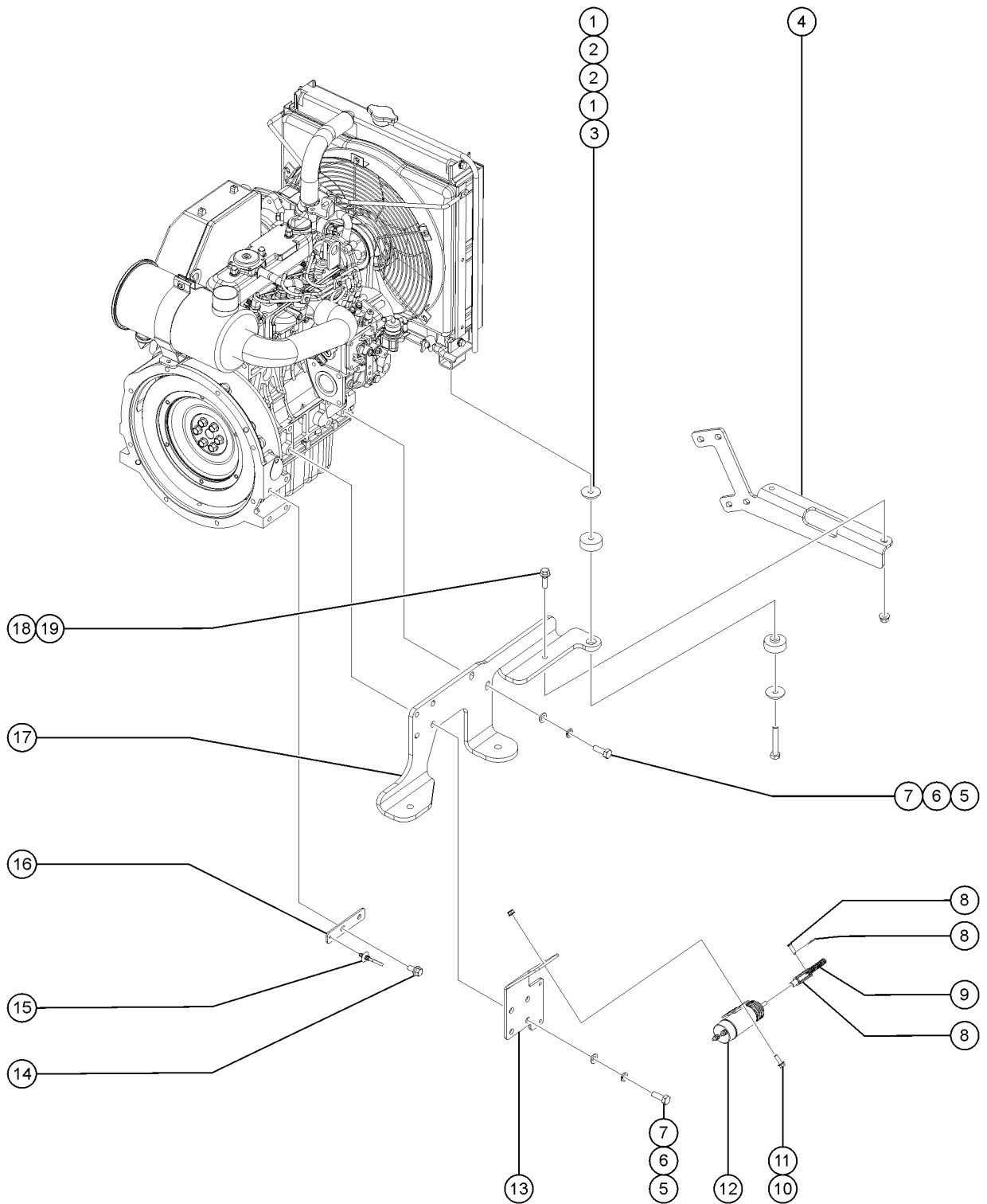
402.1 Kubota D1105 Engine, View 2



<i>Item</i>	<i>Part No.</i>	<i>Description</i>	<i>Qty.</i>
51	824210GT	CLAMP, SADDLE, 1.5, ZAG	3
52	1320484GT	TAILPIPE, KUBOTA D1105, S85XC FE	1



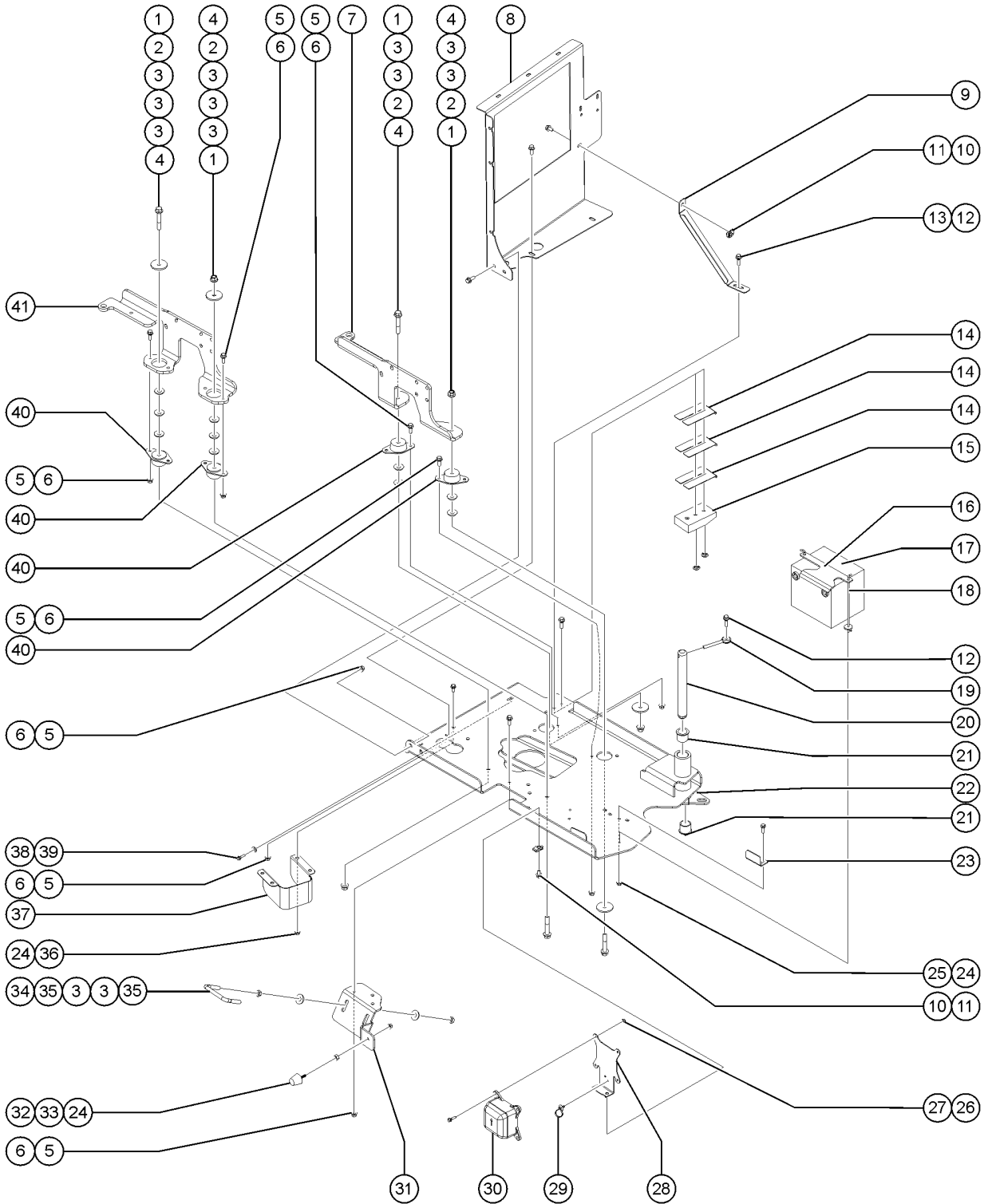
403.1 Kubota D1105 Engine, View 3



Item	Part No.	Description	Qty.
1	1268468GT	WASHER,FLAT, .406X1.50X.125,ZAG	2
2	24038GT	SHOCK MOUNT,SMALL	4
3	1306620GT	SCREW, HHC, M10-1.25 X 65, DIN961, 10.9, ZAB	1
4		FORMING, BRKT, EXHAUST UPPER	1
		refer to 402.1	
5	824138GT	SCREW, HHC, M10-1.25 X 30, DIN961, 10.9, ZAB	6
6	824142GT	WASHER, LOCK, M10, ZAB	6
7	824145GT	WASHER, FLAT, DIN125, M10, ZAB	6
8	21130GT	CLEVIS YOKE-1/4-28,PLTD W/PIN	1
9	31379GT	SPRING,TENSION-1.25 X.438 DIA	1
10	824078GT	SCREW,HHF,1/4-20X.75,8,ZAG	2
11	1277924GT	NUT,NYLOCK FLG,1/4-20,F,ZAG	2
12	20780GT	SOLENOID,2 SPEED TROMBETTA***	1
13	1300544GT	TROMBETTA BRACKET	1
14	824089GT	SCREW, HHF, 3/8-16 X .75, 8, ZAG	2
15	110149GT	CABLE TIE,DFT MOUNT,BLK,6.5"	1
16	1310772GT	FORMING, HARNESS MOUNT, Z60	1
17	1306613GT	ENGINE LEG RIGHT,D1105	1
18	824091GT	SCREW, HHF, 3/8-16 X 1.25, 8, ZAG	1
19	1274322GT	NUT,NYLOCK FLG,3/8-16,F,ZAG	1

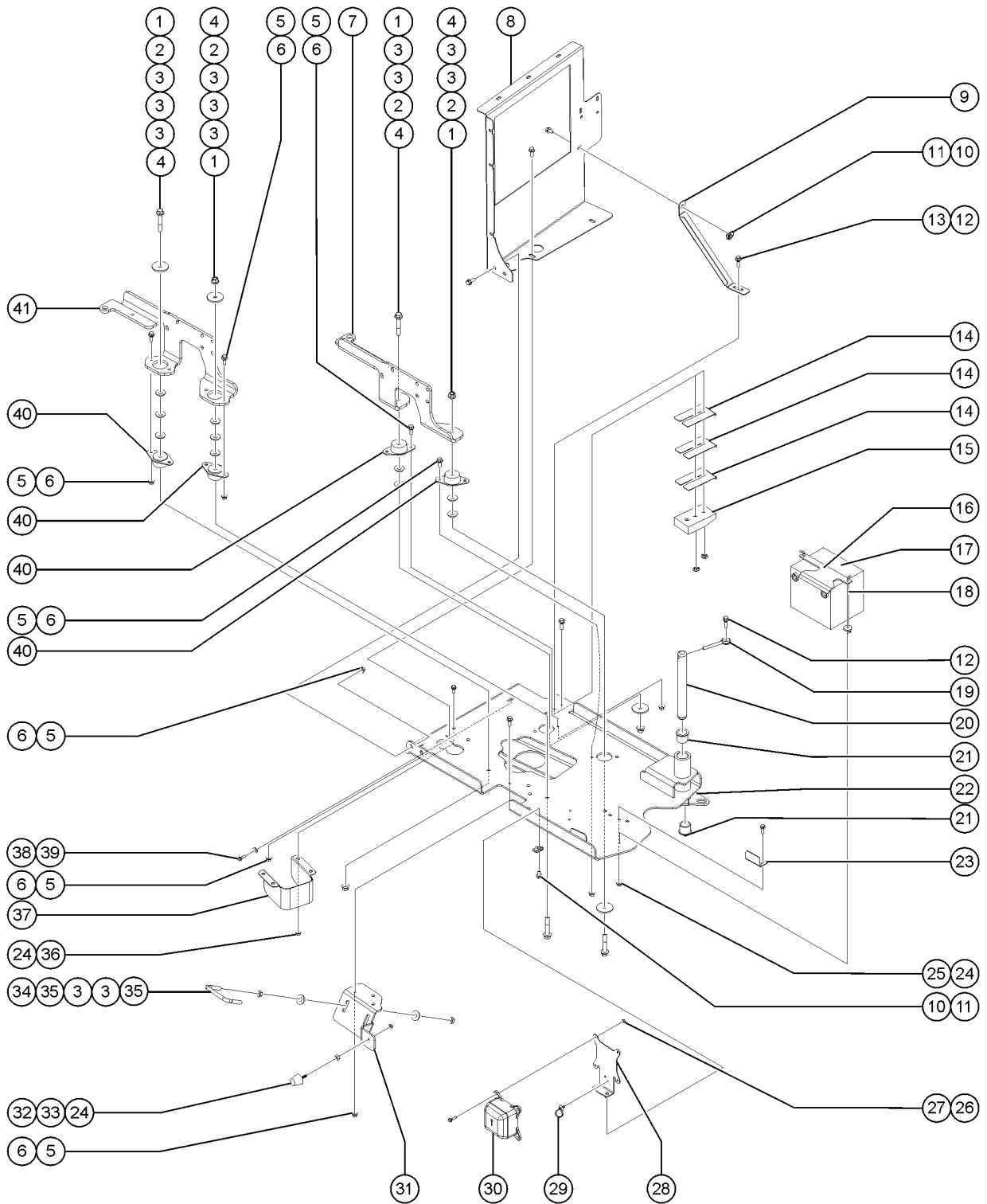


404.1 Kubota D1105 Engine, View 4



Item	Part No.	Description	Qty.
1	1251994GT	SCREW,HHF,1/2-13X3,8,ZAG	4
2	1256283GT	WASHER,FLAT,.5X2.25X.188,ZAG	4
3	1255760GT	WASHER,FLAT,1/2,USS,ZAG	14
4	1274172GT	NUT,NYLOCK FLG,1/2-13,G,ZAG	4
5	824090GT	SCREW,HHF,3/8-16X1,8,ZAG	13
6	1274322GT	NUT,NYLOCK FLG,3/8-16,F,ZAG	11
7		ENGINE LEG RIGHT,D1105	1
		refer to 403.1	
8		FORMING, BAFFLE PLATE	1
		refer to 402.1	
9	1323926GT	FORMING, BAFFLE PLATE SUPPORT	1
10	29868GT	SPRING CLIP,3/8-16,.05-.20X.73,ZAG	5
11	824089GT	SCREW, HHF, 3/8-16 X .75, 8, ZAG	3
12	824091GT	SCREW, HHF, 3/8-16 X 1.25, 8, ZAG	4
13	48425GT	NUT,FLG-LRG,3/8-16,YZ	3
14	34344GT	SHIM,SIDE PAD 16GA. 3 X 5	3
15	81522GT	WEAR PAD,ENGINE TRAY	1
16	1334850GT	FORMING, AIR SCOOP, KUBOTA D1105	1
17	1303584GT	BATTERY, 12V, 500CCA, FLA	1
18	45708GT	HOOK-BATT HOLD DOWN 10"LG	2
19	825019GT	ROD END, .375X3.69, ZAG	1
20	1320485GT	PIN, Ø1.25 X 11.00 LG, CHAMFER	1
21	35675GT	BEARING,FL,1.25IDX1.5ODX1.25L	2
22	1320141GT	WELDMENT, ENGINE TRAY	1
23	1320712GT	FORMING, STARTING BATTERY STOPPER WITH SLOT	1
24	1274167GT	NUT,NYLOCK FLG,5/16-18,F,ZAG	7
25	824086GT	SCREW, HHF, 5/16-18 X 1, 8, ZAG	2
26	1277924GT	NUT,NYLOCK FLG,1/4-20,F,ZAG	4
27	824079GT	SCREW,HHF,1/4-20X1,8,ZAG	4
28	1264698GT	FORMING, FUSE BLOCK MT, Z60E	1

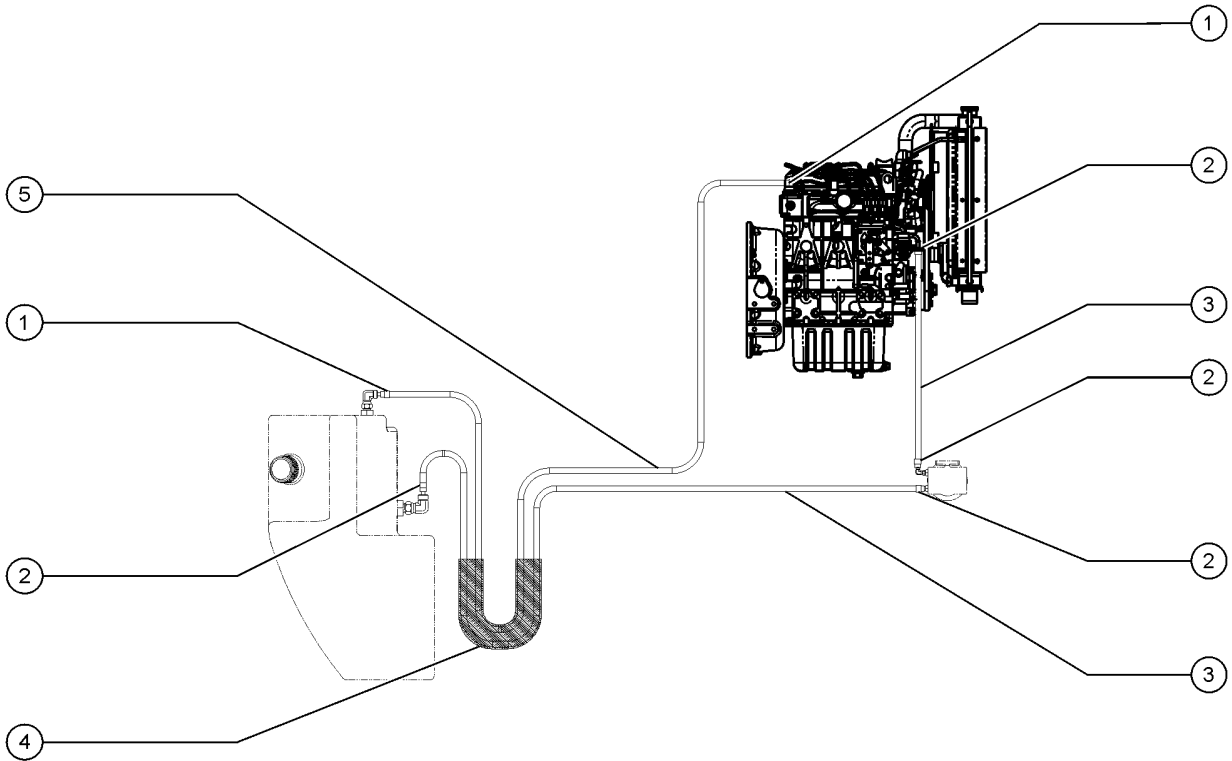
404.1 Kubota D1105 Engine, View 4



<i>Item</i>	<i>Part No.</i>	<i>Description</i>	<i>Qty.</i>
29	110149GT	CABLE TIE,DFT MOUNT,BLK,6.5"	1
30	1263734GT	MODULE FUSE/RELAY K1105 Z60E	1
31	1320714GT	FORMING, LATCH BRACKET TANK SIDE FE	1
32	1261277GT	RUBBER BUMPER, 1.25 X 1.25 IN	1
33	1256468GT	NUT,3/8-16,8,ZAG	1
34	1259855GT	UBOLT, 0.4724 IN D X 4.0 IN L	1
35	1255804GT	NUT,JAM,1/2-13,A,ZAG	4
36	824085GT	SCREW, HHF, 5/16-18 X .75, 8, ZAG	4
37	1320715GT	FORMING, BRACKET, TAILPIPE HOOD SCOOP	1
38	1256126GT	SCREW,HHF,5/8-11X2,8,ZAG	1
39	824115GT	WASHER, FLAT, USS, 5/8, ZAG	1
40	70452GT	ISOLATOR,ENGINE VIBRATION	4
41		FORMING, ENGINE LEG LEFT, D1105 refer to 402.1	1



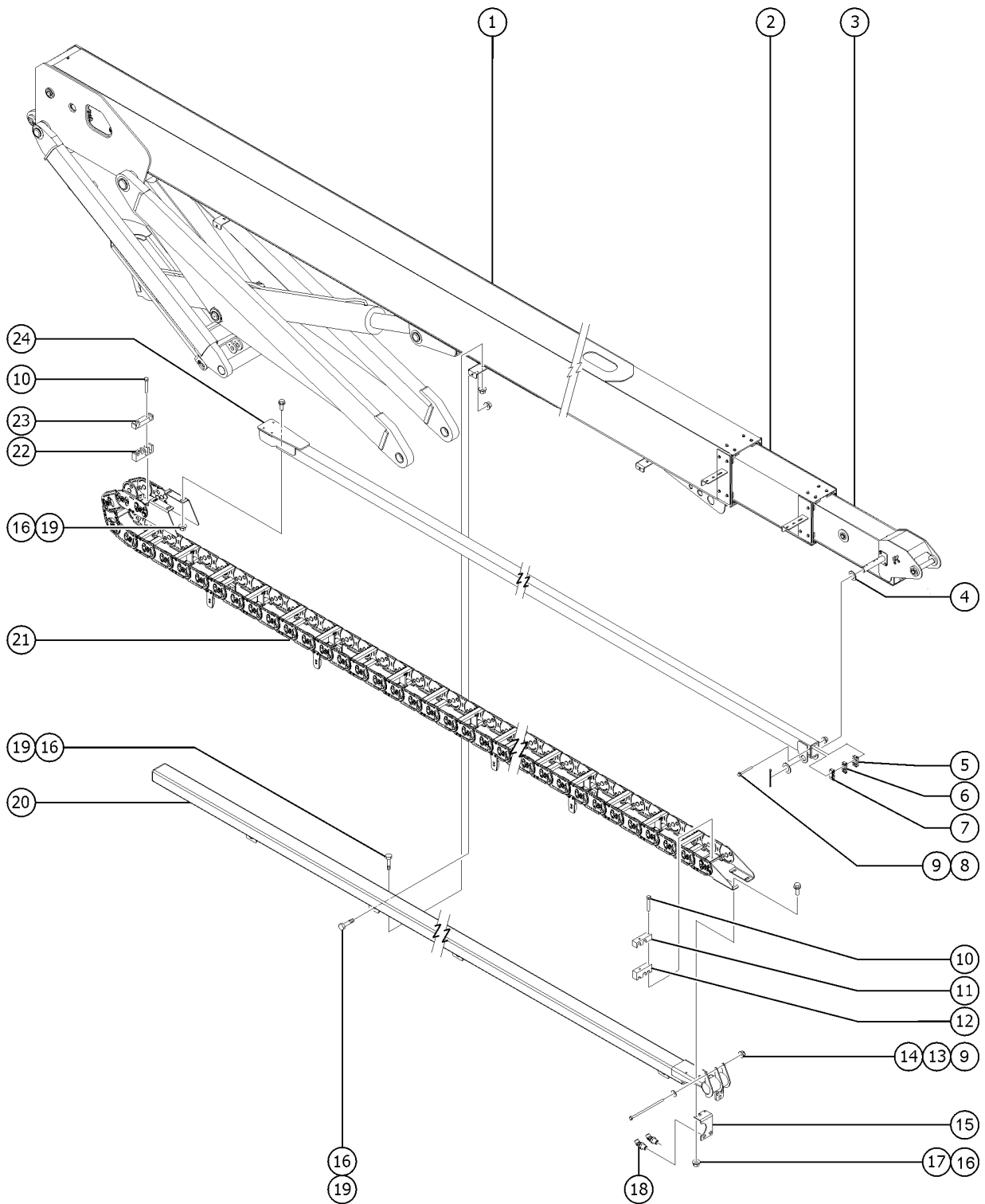
405.1 Kubota D1105 Engine, View 5



<i>Item</i>	<i>Part No.</i>	<i>Description</i>	<i>Qty.</i>
1	31982GT	CLAMP,HOSE,1 EAR, 15/32	2
2	54123GT	CLAMP,HOSE,1 EAR, 5/8	4
3	27089-6000GT	HOSE,5/16" FUEL, SAE 30R7	2
4	48773-1200GT	SLEEVE,NYLON,.86 ID	1
5	35418-8400GT	HOSE,FUEL,3/16,SAE 30R7	1



501.1 Cable Track Installation

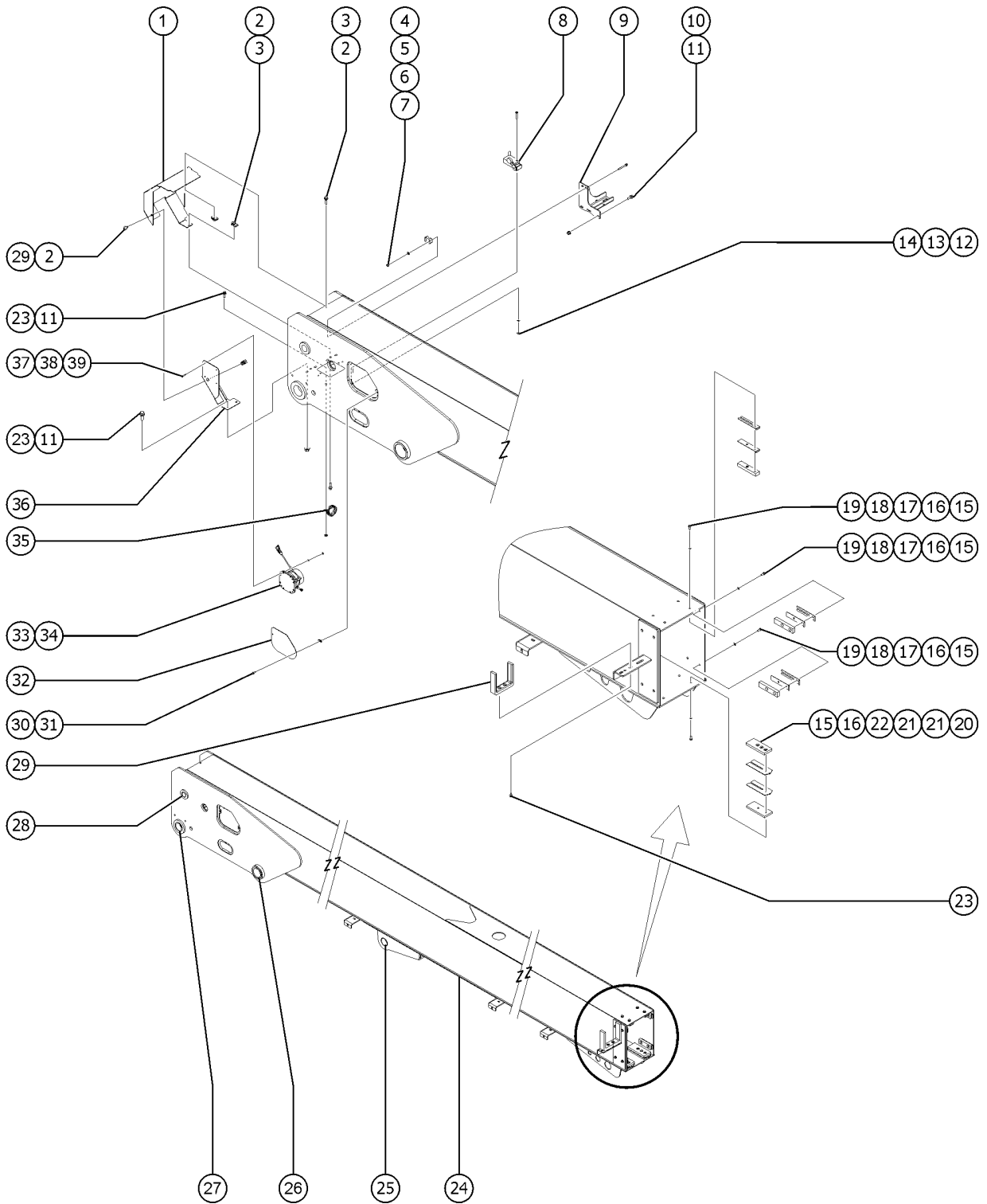


501.1 Cable Track Installation

Item	Part No.	Description	Qty.
1		REF. BOOM NUMBER 1 (refer to 502.1)	1
2		REF. BOOM NUMBER 2 (refer to 503.1)	1
3		REF. BOOM NUMBER 3 (refer to 504.1)	1
4	1251565GT	WASHER,SHIM,1.56X2.5X.061,ZAG	2
5	1288009GT	CLAMP,PULL TUBE,RIGHT,OPTIONS	1
6	1327244GT	CLAMP,PULL TUBE,RIGHT	1
7	1327245GT	CLAMP,PULL TUBE,LEFT	1
8	1257867GT	SCREW,HHF,1/4-20X3.5,8,ZAG	2
9	1277924GT	NUT,NYLOCK FLG,1/4-20,F,ZAG	3
10	1256123GT	SCREW,HHC,1/4-20X3.25,8,ZAG	4
11	1283306GT	CLAMP, OPTIONS, CABLE TRACK	1
12	1327243GT	CLAMP,CABLE TRACK	1
13	824113GT	WASHER,FLAT,USS,1/4,ZAG	1
14	1268605GT	SCREW,HHC,1/4-20X6,8,ZAG	1
15	1327172GT	FORMING, BULKHEAD	1
16	1274322GT	NUT,NYLOCK FLG,3/8-16,F,ZAG	18
17	824091GT	SCREW, HHF, 3/8-16 X 1.25, 8, ZAG	2
18	61346GT	CONN,BULKHEAD,520801,-8	2
19	824090GT	SCREW,HHF,3/8-16X1,8,ZAG	16
20	1283383GT	WELDMENT,CABLE TRACK TRAY	1
21	121064GT	CABLE TRACK,SX,70 LNK	1
22	1327246GT	CLAMP,CABLE TRACK,WK LT	1
23	1288013GT	CLAMP,CABLE TRACK,OPTIONS	1
24	121063GT	WELDMENT, LONG GUIDE TUBE	1



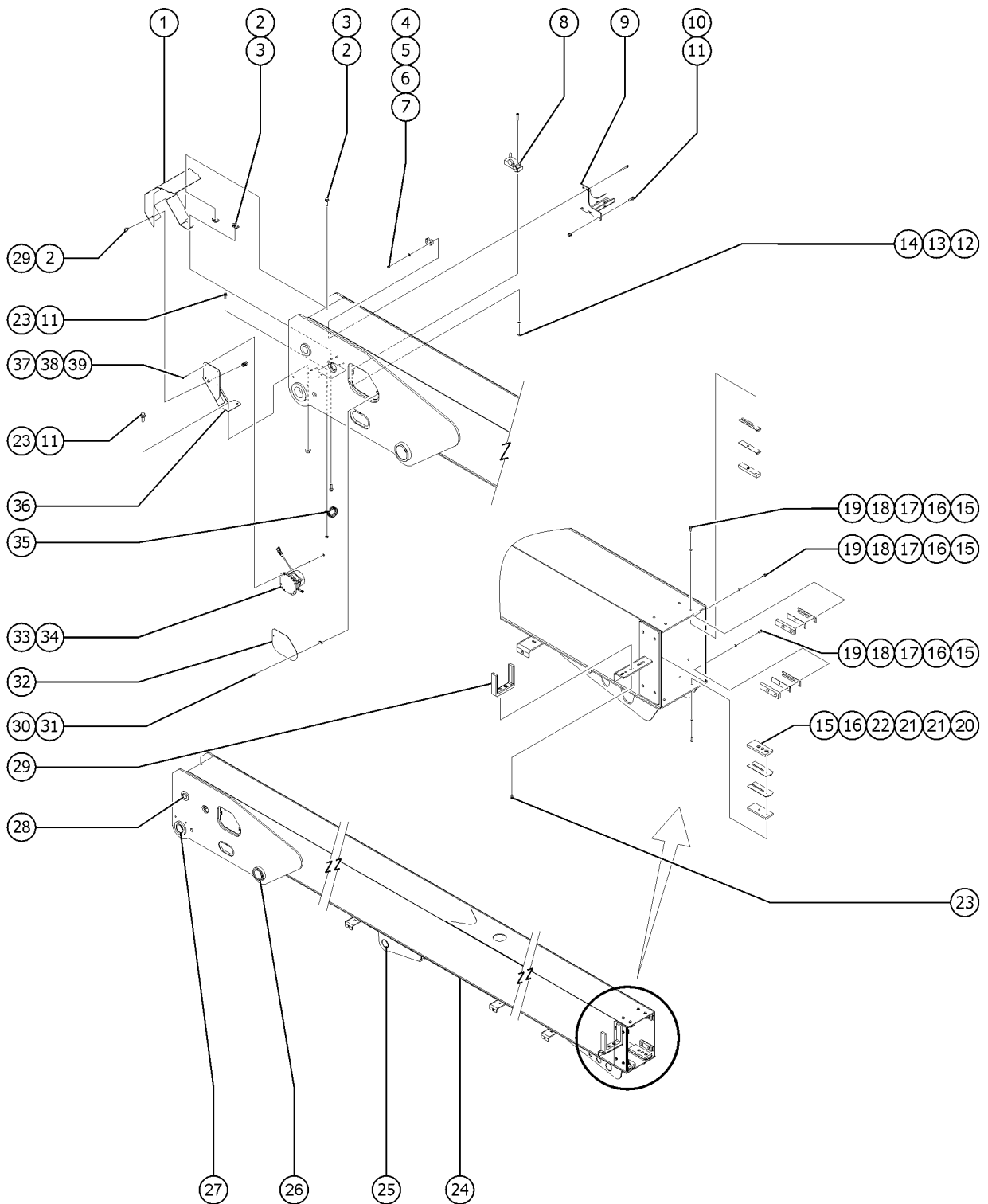
502.1 Extension Boom Tube 1



Item	Part No.	Description	Qty.
A	1328311GT	ASSEMBLY, BOOM #1	
B	1276821GT	ASSEMBLY,STRING POT,S80/85XC	
1	1321271GT	WELDMENT, COVER, MAST #1	1
2	56912GT	SPRING CLIP,1/4-20,.025-.15X.54,ZAG	3
3	824079GT	SCREW,HHF,1/4-20X1,8,ZAG	2
4	1274165GT	NUT,NYLOCK,1/4-20,C,ZAG	2
5	824113GT	WASHER,FLAT,USS,1/4,ZAG	2
6	1330338GT	CLAMP, CABLE	1
7	1257866GT	SCREW,HHF,1/4-20X2.25,8,ZAG	2
8	1327390GT	SWITCH ASSY, LSB1RS, 139644-14B80	1
9	1328615GT	WELDMENT, SENSOR RETAINER, PRIMARY	1
10	824091GT	SCREW, HHF, 3/8-16 X 1.25, 8, ZAG	2
11	1274322GT	NUT,NYLOCK FLG,3/8-16,F,ZAG	5
12	1271081GT	NUT,NYLOCK,8-32,8,ZAG	2
13	1257390GT	WASHER,FLAT,#8,SAE,ZAG	2
14	1258189GT	SCREW,PHPM,8-32X1,ZAG	2
15	824067GT	SCREW, HHC, 3/8-16 X 1, 8, ZAG	16
16	826793GT	WASHER,FLAT,3/8,SAE,HRD,ZAG	16
17	1276017GT	SHIM,WEAR PAD,7 X 1.5,16GA	6
18	1276018GT	SHIM,WEAR PAD,7 X 1.5,14GA	6
19	1273674GT	WEAR PAD,7 X 1.5 X .875 W/INSERT	6
20	1276021GT	WEAR PAD,7 X 3 X .625 W/INSERT	2
21	60304GT	SHIM,WEAR PAD,7 X 3,12GA	4
22	121164GT	BAR,SPACER	2
23	824090GT	SCREW,HHF,3/8-16X1,8,ZAG	5
24	1328371GT	WELDMENT, BOOM #1	1
25	27697GT	BEARING,2.50IDX2.75ODX1.50L	2
26	121754GT	BEARING,3.00IDX3.50DX2.25LG	2



502.1 Extension Boom Tube 1

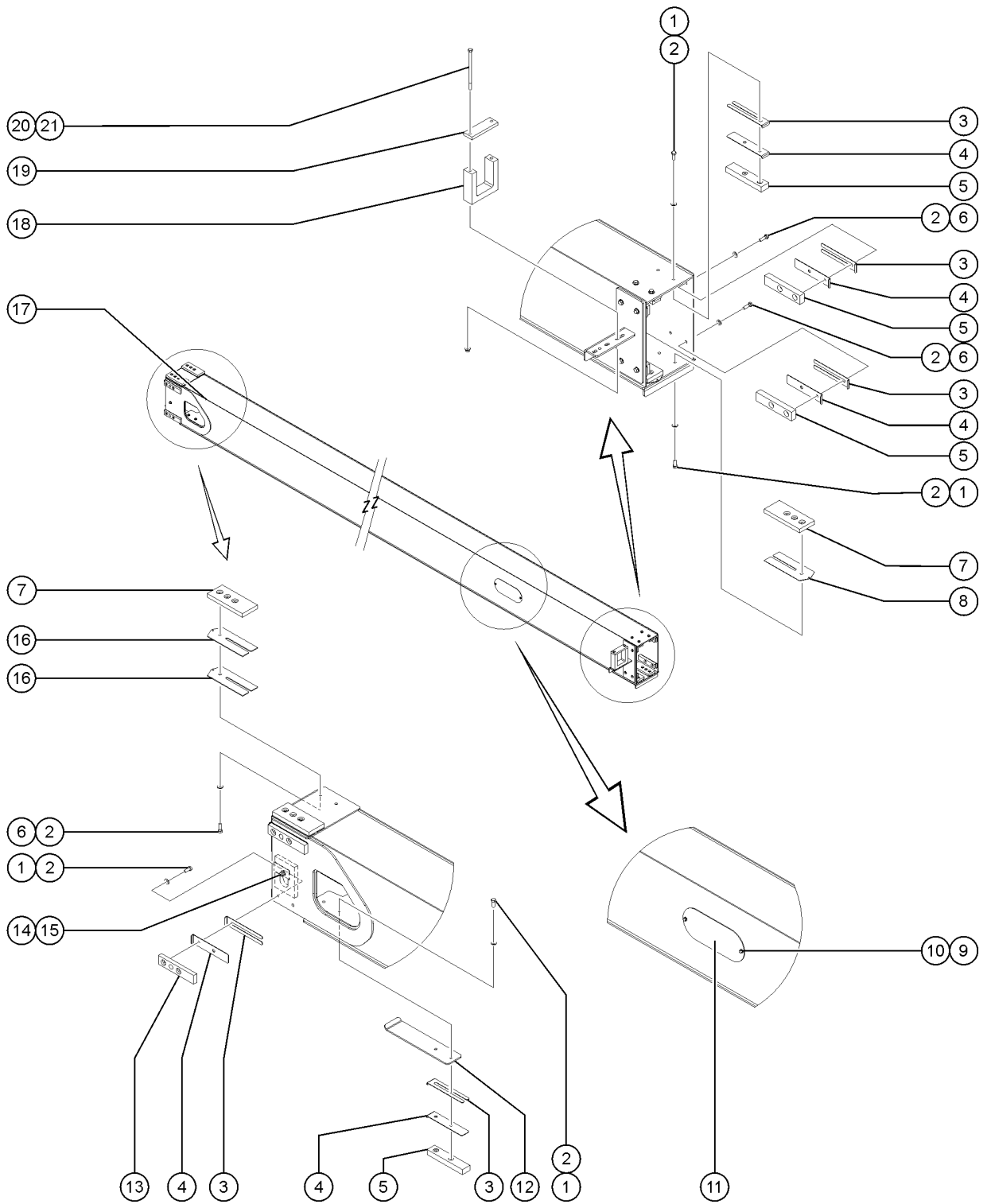


502.1 Extension Boom Tube 1

<i>Item</i>	<i>Part No.</i>	<i>Description</i>	<i>Qty.</i>
27	101559GT	BEARING,FL,2.50IDX2.75ODX1.61L	2
28	110876GT	BEARING,1.5"ID X 1.75OD X1.25L	2
29	81340GT	WEAR PAD ASSEMBLY,CABLE TRACK	1
30	824078GT	SCREW,HHF,1/4-20X.75,8,ZAG	5
31	56912GT	SPRING CLIP,1/4-20,.025-.15X.54,ZAG	4
32	121029GT	COVER PLATE,BOOM	2
33	1319559GT	LENGTH TRANSDUCER, 400 IN, CAN ID 47	1
34	1323139GT	CARABINER, 1/4 X 2.375, 170 LBS CAPACIT	
35	61745GT	CLAMP,2.25,#36 X 3/8,RUB CUSH	1
36	1321041GT	WELDMENT, SENSOR MOUNT	1
37	826516GT	SCREW, PHPM, 10-32 X 1.0, ZAG	4
38	1253185GT	WASHER,FLAT,#10,USS,ZAG	4
39	1274168GT	NUT,NYLOCK,10-32,A,ZAG	4



503.1 Extension Boom Tube 2

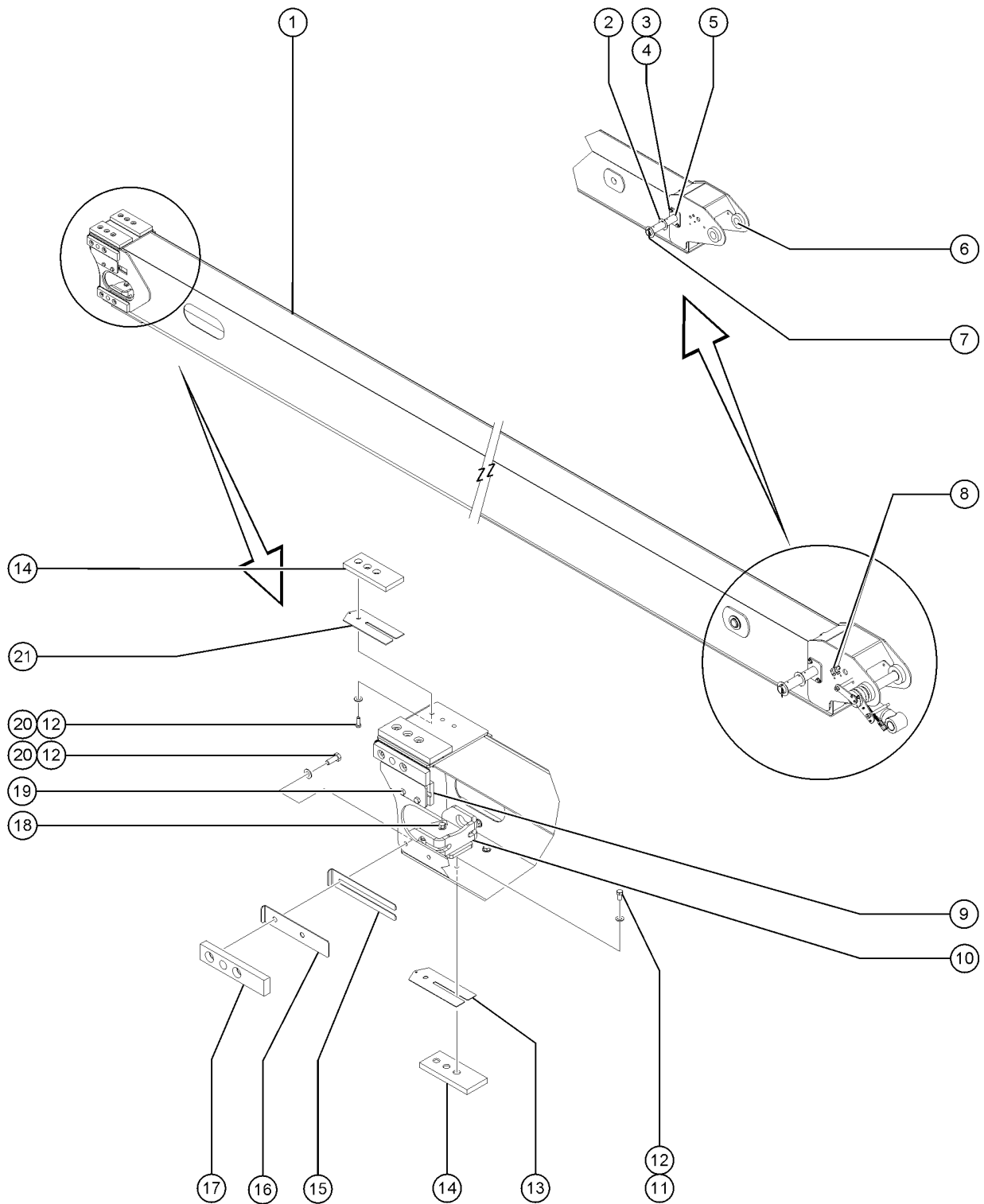


503.1 Extension Boom Tube 2

Item	Part No.	Description	Qty.
1	824067GT	SCREW, HHC, 3/8-16 X 1, 8, ZAG	18
2	826793GT	WASHER, FLAT, 3/8, SAE, HRD, ZAG	30
3	1276017GT	SHIM, WEAR PAD, 7 X 1.5, 16GA	11
4	1276018GT	SHIM, WEAR PAD, 7 X 1.5, 14GA	11
5	1273674GT	WEAR PAD, 7 X 1.5 X .875 W/INSERT	7
6	824068GT	SCREW, HHC, 3/8-16 X 1.25, 8, ZAG	12
7	1276021GT	WEAR PAD, 7 X 3 X .625 W/INSERT	4
8	60840GT	SHIM, WEAR PAD, 7 X 3, 16GA	2
9	824078GT	SCREW, HHF, 1/4-20X.75, 8, ZAG	4
10	56912GT	SPRING CLIP, 1/4-20, .025-.15X.54, ZAG	4
11	77884GT	COVER, BOOM SECTION #2	2
12	1325723GT	FORMING, LS RAMP	1
13	1276019GT	WEAR PAD, 7 X 1.5 X .625 W/INSERT	4
14	824090GT	SCREW, HHF, 3/8-16X1, 8, ZAG	2
15	121658GT	CAP, EXTENSION	2
16	60304GT	SHIM, WEAR PAD, 7 X 3, 12GA	4
17	1273689GT	WELDMENT, BOOM #2	1
18	81341GT	WEAR PAD, CABLE TRACK PULL TUBE	1
19	81342GT	WEAR PAD, 5.5 X 1.75 X .5	1
20	1255391GT	SCREW, HHC, 3/8-16X7, 8, ZAG	2
21	1274322GT	NUT, NYLOCK FLG, 3/8-16, F, ZAG	2



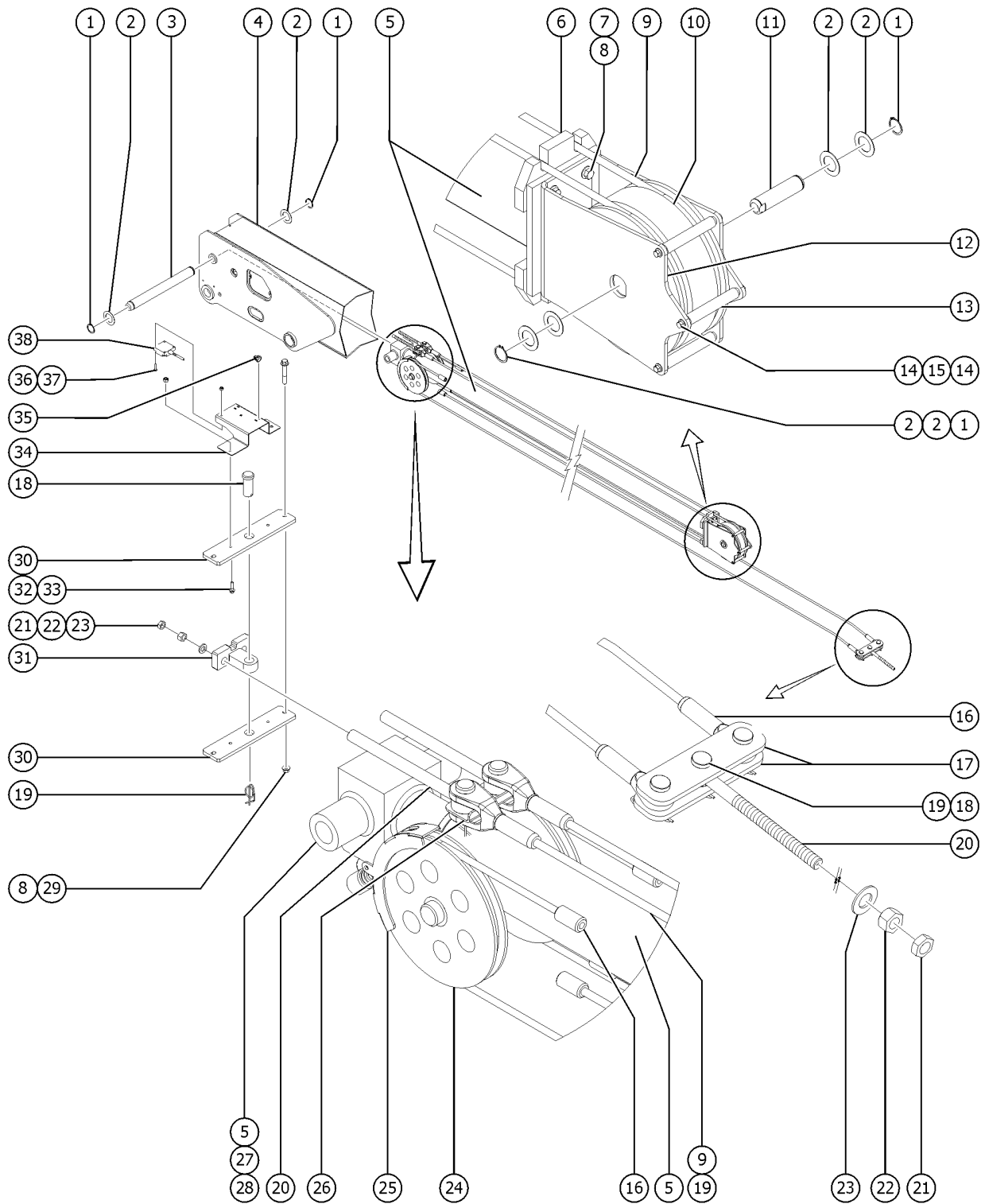
504.1 Extension Boom Tube 3



<i>Item</i>	<i>Part No.</i>	<i>Description</i>	<i>Qty.</i>
1	1273679GT	WELDMENT,BOOM #3	1
2	1251565GT	WASHER,SHIM,1.56X2.5X.061,ZAG	2
3	824091GT	SCREW, HHF, 3/8-16 X 1.25, 8, ZAG	2
4	1274322GT	NUT,NYLOCK FLG,3/8-16,F,ZAG	2
5	81347GT	WELDMENT,TRACK PULL TUBE PIVOT	1
6	1273706GT	BEARING,1.5IDX1.75ODX1.825L	2
7	42079GT	PIN,COTTER,.156 X 2.5	2
8	61079GT	ELBOW,90D,BULKHEAD,520701-4	2
9	121163GT	PLATE,CABLE BLOCK	2
10	1274348GT	WELDMENT,EXTENSION BRACKET	1
11	1256109GT	SCREW,HHC,3/8-16X.75,8,ZAG	4
12	826793GT	WASHER,FLAT,3/8,SAE,HRD,ZAG	16
13	60840GT	SHIM,WEAR PAD,7 X 3,16GA	2
14	1276021GT	WEAR PAD,7 X 3 X .625 W/INSERT	4
15	1276017GT	SHIM,WEAR PAD,7 X 1.5,16GA	4
16	1276018GT	SHIM,WEAR PAD,7 X 1.5,14GA	4
17	1276019GT	WEAR PAD,7 X 1.5 X .625 W/INSERT	4
18	824090GT	SCREW,HHF,3/8-16X1,8,ZAG	2
19	824068GT	SCREW, HHC, 3/8-16 X 1.25, 8, ZAG	4
20	824067GT	SCREW, HHC, 3/8-16 X 1, 8, ZAG	12
21	60304GT	SHIM,WEAR PAD,7 X 3,12GA	2



505.1 Cable Assembly and Primary Extension Cylinder

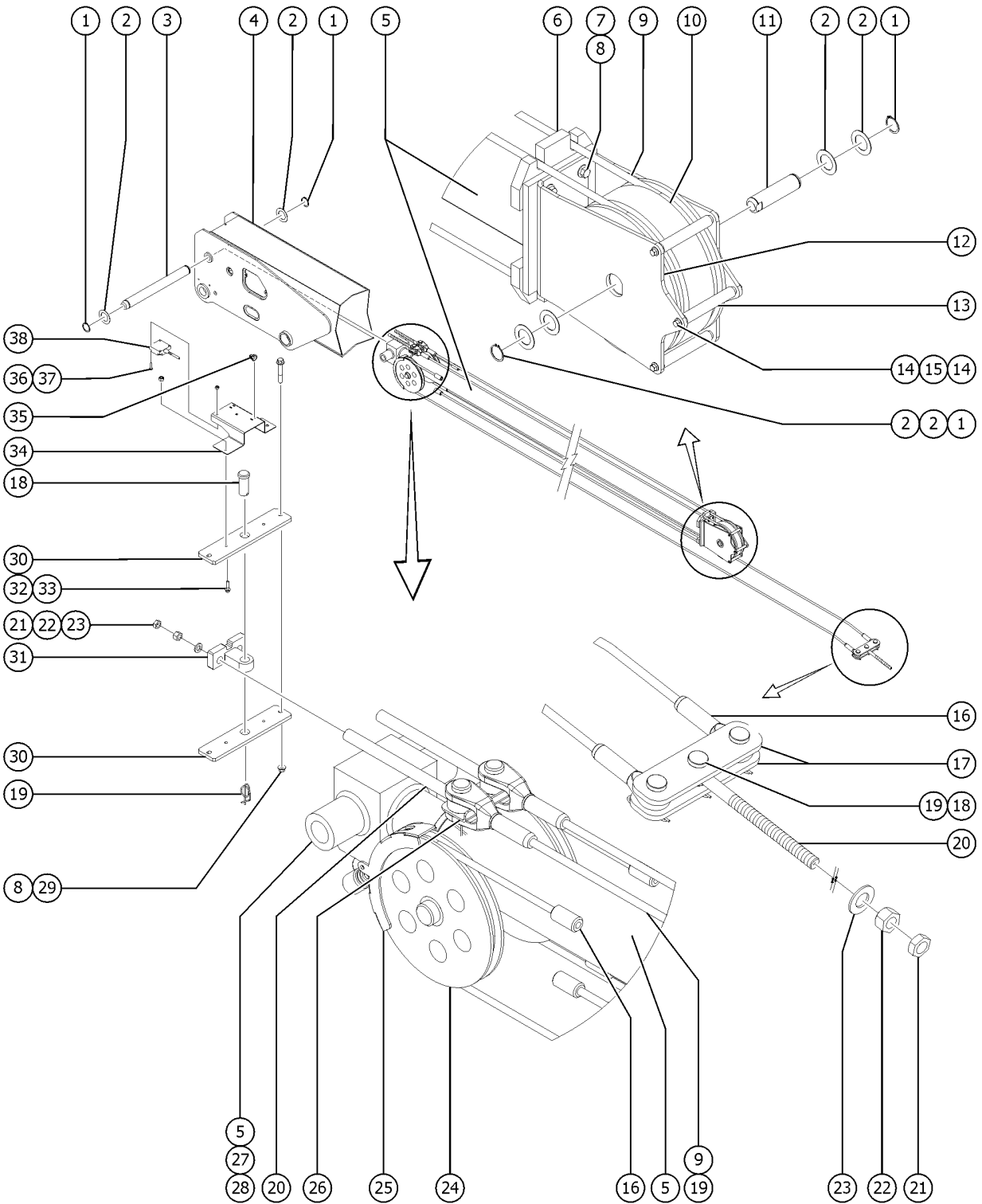


505.1 Cable Assembly and Primary Extension Cylinder

Item	Part No.	Description	Qty.
1	825796GT	SNAP RING,EXTERNAL,1.50,ZAG	4
2	1251565GT	WASHER,SHIM,1.56X2.5X.061,ZAG	6
3	121034GT	PIN,1.500 X 15.000,2 RINGS	1
4		REF. BOOM NUMBER 1 (refer to 502.1)	
5	1304000GT	CYLINDER, PRIMARY EXTENSION	1
5-	1304001GT	SEAL KIT, EXTEND CYLINDER 1304000	
5-	1274314GT	CACA-LHN-1200	
5-	1274315GT	CABG-LHN-1200	
6	121155GT	GUIDE,EXT. CABLES	2
7	1253478GT	SCREW,HHF,3/8-16X2,8,ZAG	4
8	1274322GT	NUT,NYLOCK FLG,3/8-16,F,ZAG	6
9	1274252GT	CABLE ASSY,EXTEND	2
10	1274251GT	SHEAVE,EXTEND	1
11	121156GT	PIN,DIA. 1.50 X 5.875	1
12	121146GT	FORMING,BRACKET,EXTEND SHEAVE	1
13	121670GT	ROLLER,1/2" PVC	3
14	824078GT	SCREW,HHF,1/4-20X.75,8,ZAG	6
15	121671GT	ROLLER,1/2" ALUMINUM	3
16	121150GT	CABLE ASSY,RETRACT	2
17	121044GT	PLATE,RETRACT CABLE EQUALIZER	2
18	826379GT	PIN,CLEVIS,1X2.250,ZAG	4
19	824129GT	RUE RING,1.0,ZAG	6
20	77656GT	ROD END,CABLE	3
21	1256837GT	NUT,JAM,3/4-10,A, ZAG	3
22	1268597GT	NUT,3/4-10,8,ZAG	3
23	1256863GT	WASHER,FLAT,.75,F436,HRD,ZAG	3
24	88568GT	SHEAVE,RETRACT CABLE(SMALLER)	2
25	1334222GT	WELDMENT,RETRACT SHEAVE COVER	1



505.1 Cable Assembly and Primary Extension Cylinder

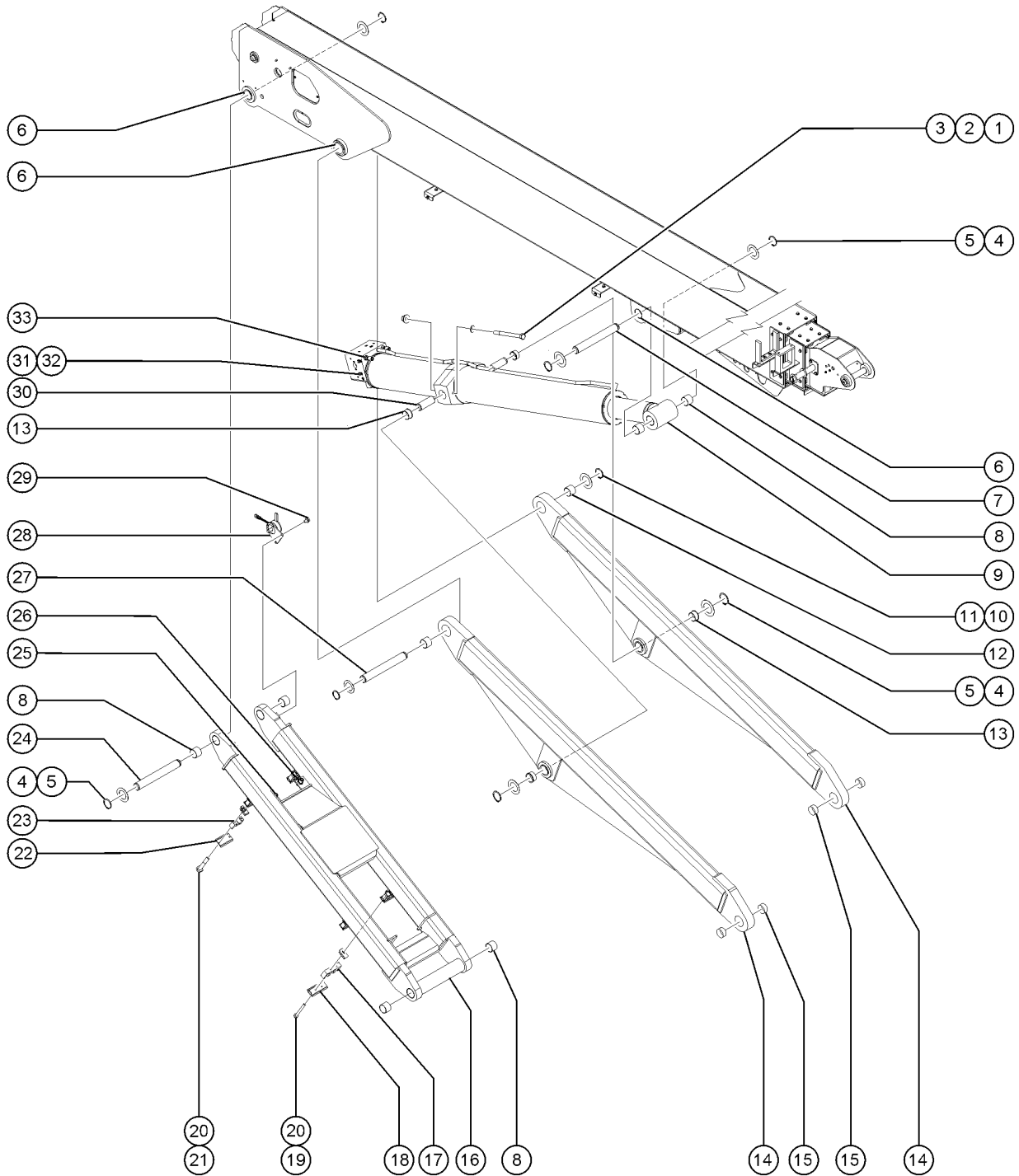


505.1 Cable Assembly and Primary Extension Cylinder

<i>Item</i>	<i>Part No.</i>	<i>Description</i>	<i>Qty.</i>
26	121189GT	PLATE,ANTIROTATION	1
27	56604GT	CONN,520120-10-8	1
28	48963GT	FITTING,ELBOW,45D,520320-12	1
29	1256856GT	SCREW,HHF,3/8-16X2.5,8,ZAG	2
30	121028GT	PLATE,ROCKER	2
31	121181GT	MACH.,PIVOT PLATE WELDMENT	1
32	824079GT	SCREW,HHF,1/4-20X1,8,ZAG	2
33	1274165GT	NUT,NYLOCK,1/4-20,C,ZAG	2
34	1333743GT	FORMING, BRACKET, SENSOR MOUNTING	1
35	21121GT	CABLE TIE, 4" BLK, HEAT RESISTANT	2
36	1253490GT	SCREW,PHPM,8-32 X .75,ZAG	2
37	1271081GT	NUT,NYLOCK,8-32,8,ZAG	2
38	1327389GT	SWITCH ASSY, LSB2S, NC, PROX	1



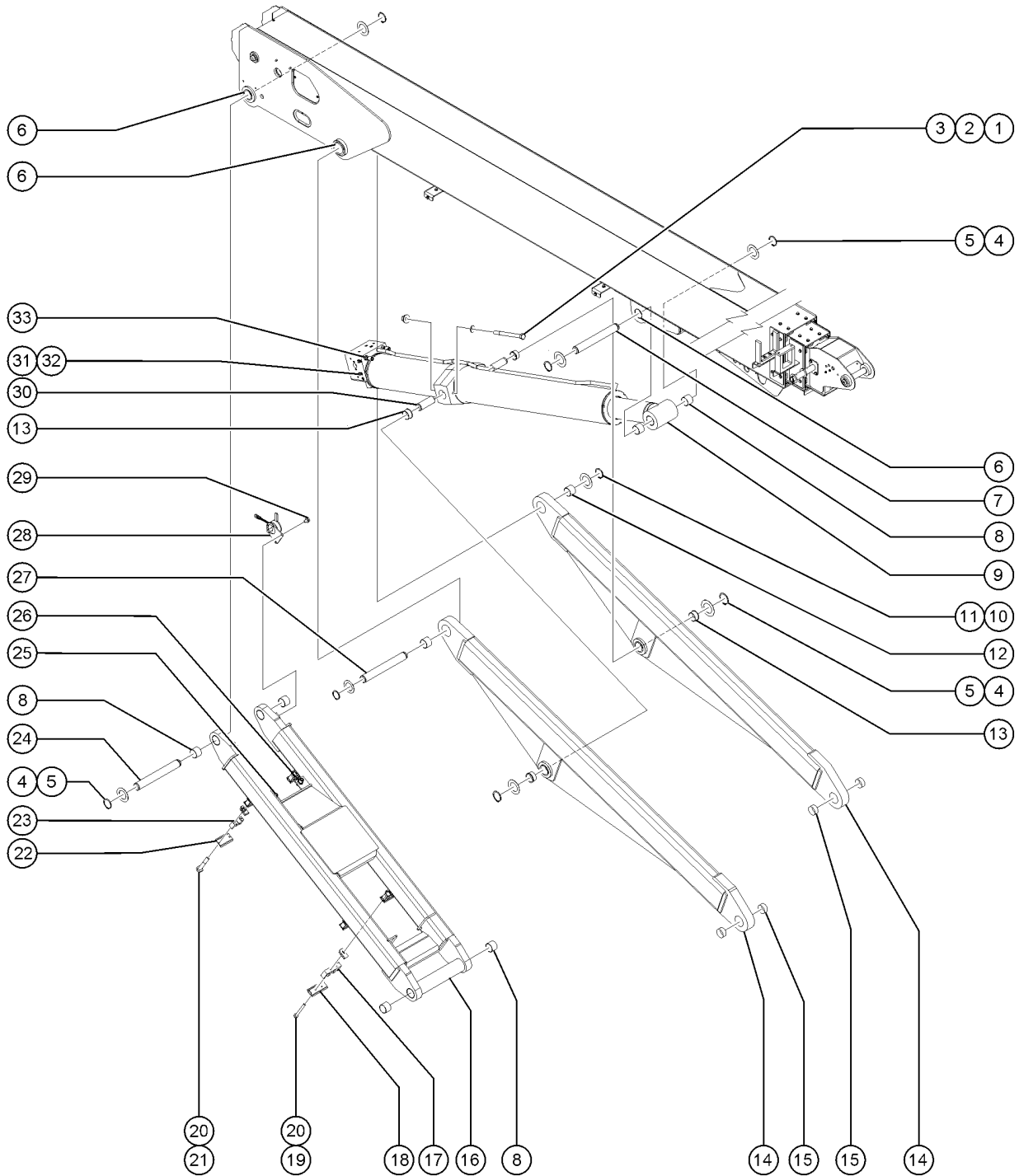
506.1 Boom Link Assembly - View 1



Item	Part No.	Description	Qty.
1	1256112GT	SCREW,HHC,1/2-13X6,8,ZAG	2
2	824146GT	WASHER, FLAT, DIN125, M12, ZAB	2
3	1274172GT	NUT,NYLOCK FLG,1/2-13,G,ZAG	2
4	825760GT	SNAP RING,EXTERNAL,2.50,ZAG	6
5	1288285GT	WASHER,SHIM,2.5X3.25X.062,ZAG	6
6		REF. BEARING (refer to 502.1)	
7	121031GT	PIN,2.50 X 12.200,2 RINGS	1
8	27698GT	BEARING,2.50IDX2.75ODX2.00L	6
9	1319904GT	CYLINDER,LIFT,S85XC FE/DC	1
9-	27698GT	BEARING,2.50IDX2.75ODX2.00L	
10	825762GT	SNAP RING,EXTERNAL,3.0,ZAG	2
11	1258728GT	WASHER,FLAT,3.062X4.5X.05,ZAG	2
12	121406GT	BEARING,3.00IDX3.25ODX2.50LG	2
13	101566GT	BEARING,FL,2.50IDX2.75ODX1.36L	4
14	1273329GT	MACHINED, LONG LINK, METRIC	2
15	121399GT	BEARING,2.50IDX2.75OBX1.25LG	4
16	1327100GT	MACHINED,SHORT LINK,METRIC	1
17	1327241GT	CLAMP,ES,SHORT LINK	3
18	1327251GT	CLAMP,ES,SHORT LINK	3
19	824084GT	SCREW, HHF, 1/4-20 X 3, 8, ZAG	6
20	56912GT	SPRING CLIP,1/4-20,.025-.15X.54,ZAG	10
21	1256803GT	SCREW,HHC,1/4-20X2.75,8,ZAG	4
22	1327115GT	CLAMP,TOP,SHORT LINK	2
23	1327113GT	CLAMP, CONTROL SIDE, SHORT LINK	2
24	1277777GT	PIN,2.500 X 19.750,2 RINGS,1 HOLE	1
25	110149GT	CABLE TIE,DFT MOUNT,BLK,6.5"	1
26	117255GT	CONN,BULKHEAD,520601-10	2
27	121033GT	PIN,3.000 X 21.500,2 RINGS	1



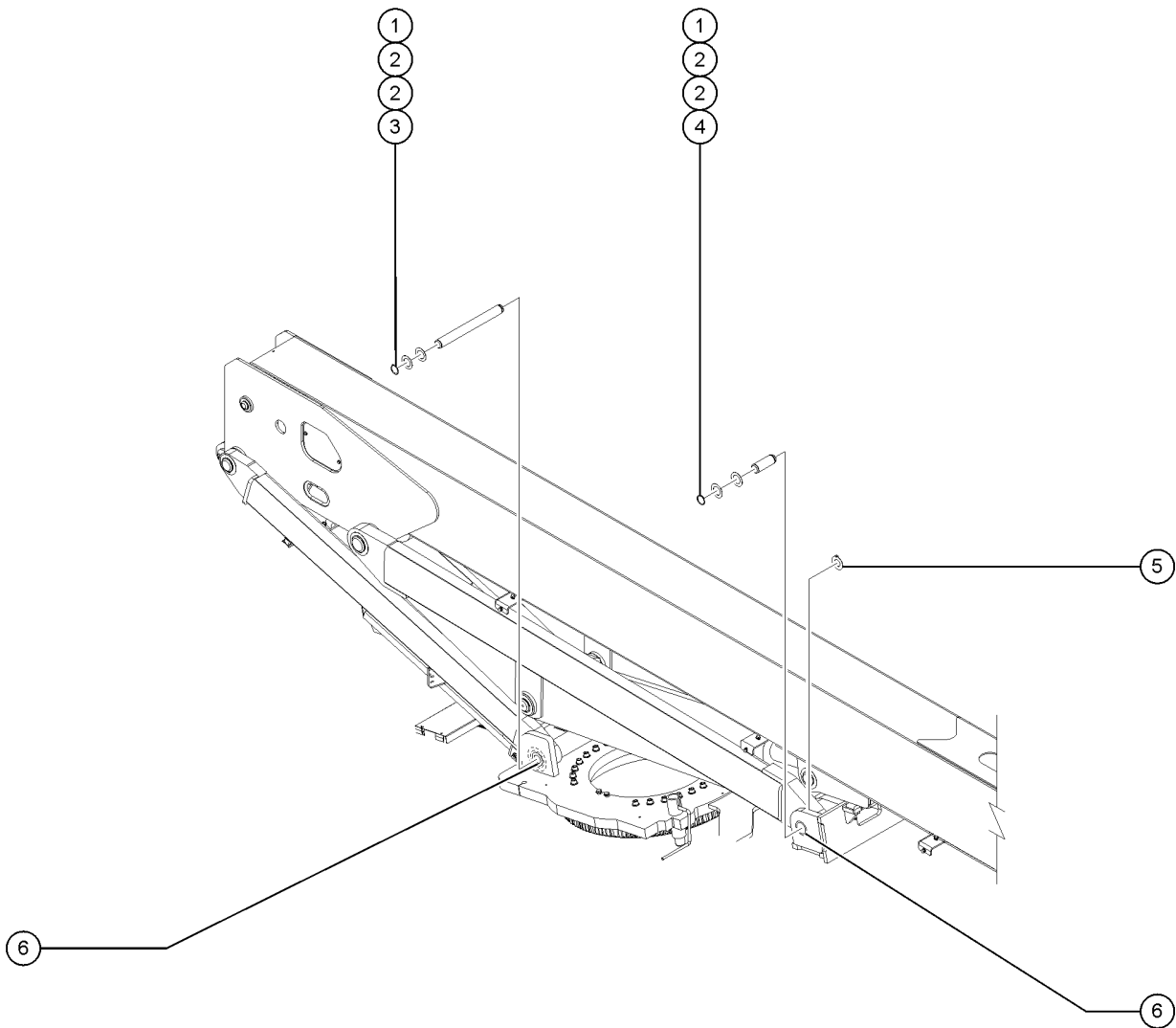
506.1 Boom Link Assembly - View 1



<i>Item</i>	<i>Part No.</i>	<i>Description</i>	<i>Qty.</i>
28	1277869GT	ASSEMBLY,ROTARY SENSOR MOUNT	1
28-	1275778GT	ANGLE SENSOR,360DEG,CAN(R/B 1276511GT)	1
28-	1275625GT	CARRIER,SENSOR,PRIMARY	1
28-	237242GT	SCREW,FHS,M3-0.5X8,DIN7991,10.9,ZAB	2
28-	237241GT	SCREW,FHS,M3-0.5X14,DIN7991,10.9,ZAB	2
28-	1268505GT	HOUSING, SENSOR, PRIMARY	1
28-	1253815GT	SNAP RING,EXTERNAL,2.00,ZAG	1
28-	1277775GT	PLATE,SENSOR MAG RETAINER	1
28-	1277776GT	PIN,GUIDE,SENSOR MOUNT	1
28-	1256479GT	SCREW,PHPM,10-24X.50,ZAG	6
29	1256857GT	SCREW,HHF,3/8-16X.625,8,ZAG	2
30	1274338GT	PIN,2.50DIA.X6.25LG.,1 RING,1 HOLE	2
31	45470GT	CLAMP,0.31,#5 X 1/4,RUB CUSH	2
32	824077GT	SCREW, HHF, 1/4-20 X .5, 8, ZAG	2
33	48952GT	FITTING,CONN,520120-10	2



507.1 Boom Link Assembly - View 2

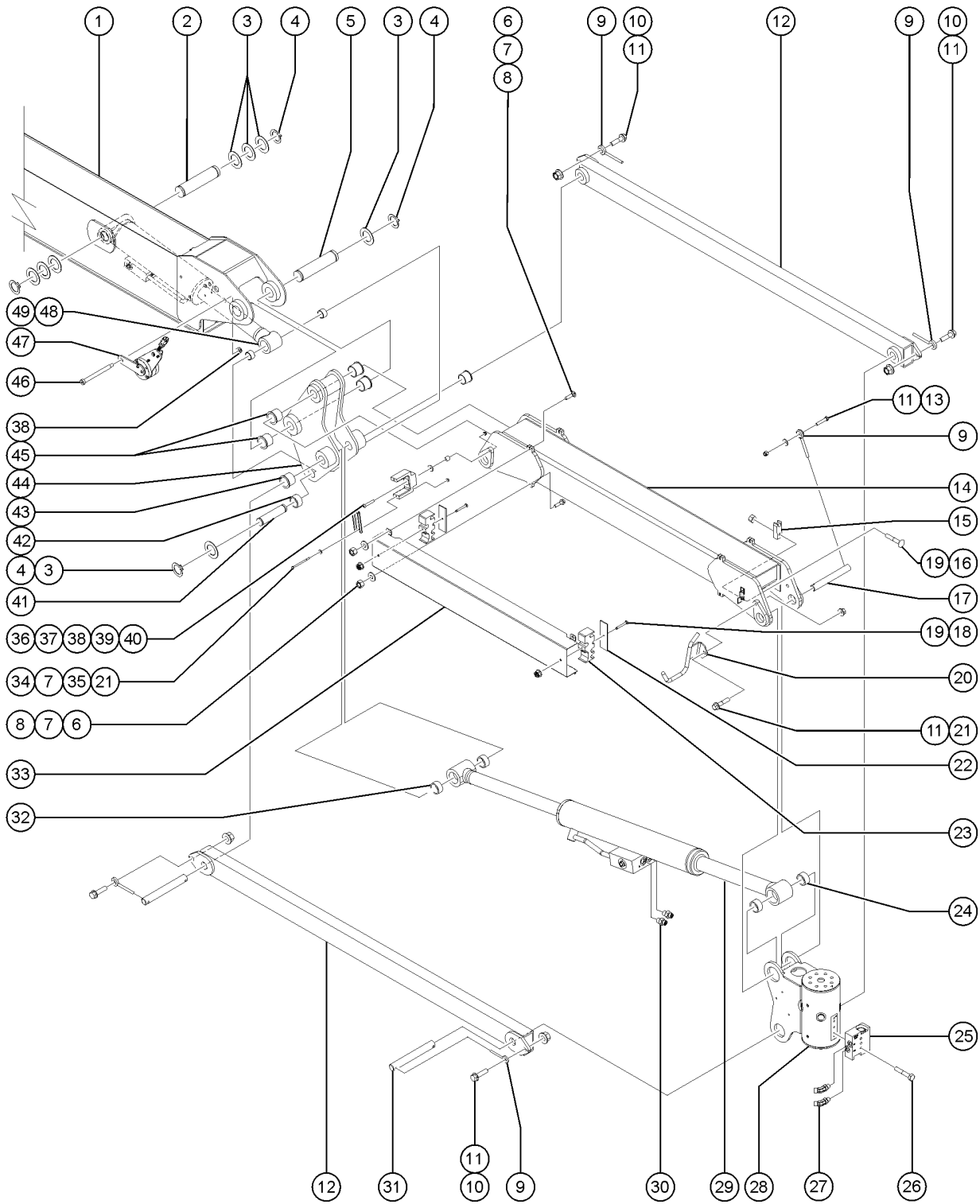


507.1 Boom Link Assembly - View 2

<i>Item</i>	<i>Part No.</i>	<i>Description</i>	<i>Qty.</i>
1	825760GT	SNAP RING,EXTERNAL,2.50,ZAG	6
2	1256111GT	WASHER,SHIM,2.5X4X.062,ZAG	12
3	121388GT	PIN,2.50DIAX24.50,2RINGS,TAPER	1
4	121387GT	PIN,2.50DIAX7.00,2 RINGS,TAPER	2
5	121869GT	FORMING,LINK THRUST WASHER	4
6	121399GT	BEARING,2.50IDX2.75OBX1.25LG	6



508.1 Jib Boom and Platform Rotator

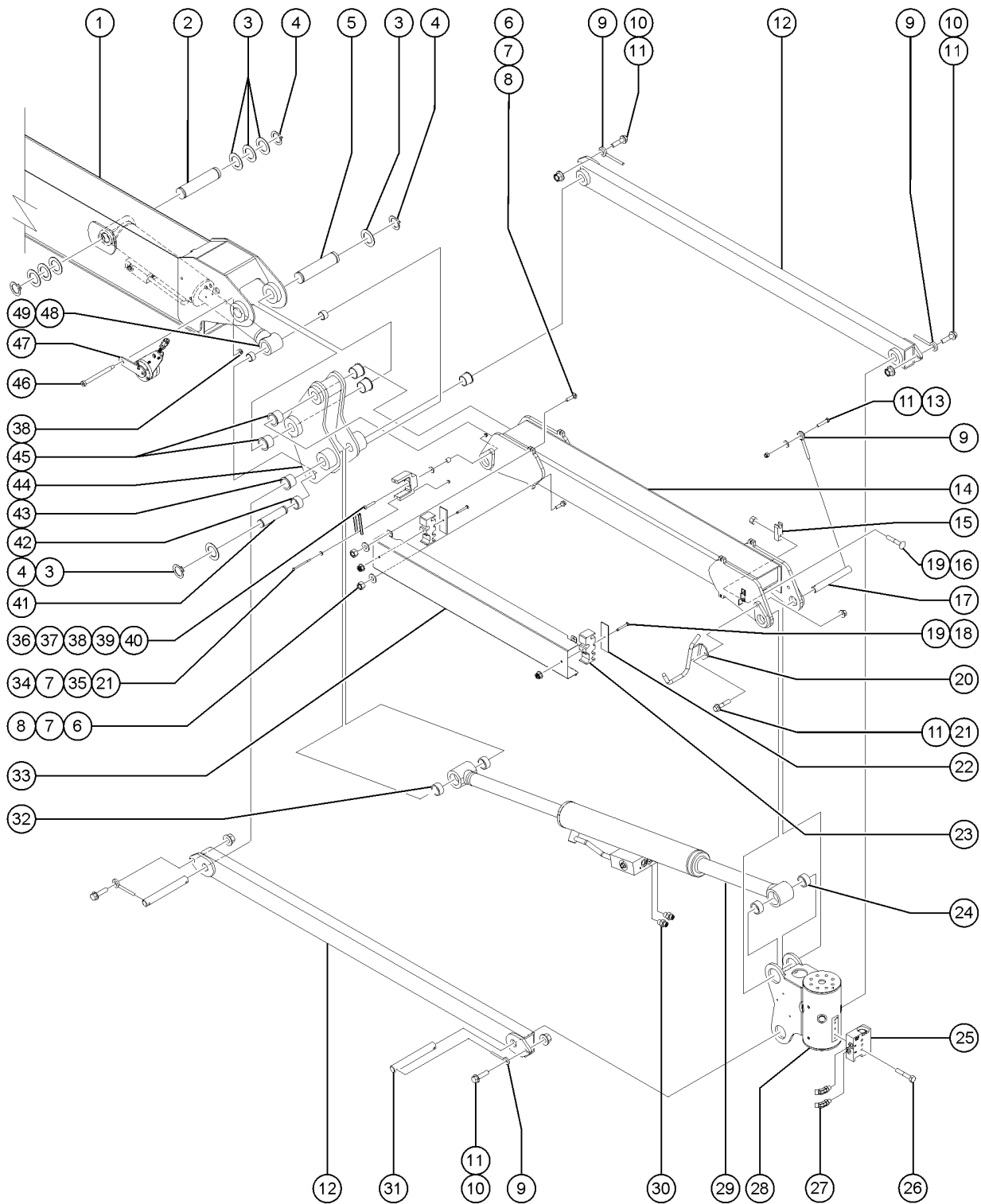


508.1 Jib Boom and Platform Rotator

Item	Part No.	Description	Qty.
-	61283GT	SLEAVING,PARKER TEK,2.00"	
1		REF. BOOM TUBE 3	
		(refer to 504.1)	
2	1279567GT	PIN, 1.50DIA X 8.50LG, 2RING	1
3	1251565GT	WASHER,SHIM,1.56X2.5X.061,ZAG	10
4	825796GT	SNAP RING,EXTERNAL,1.50,ZAG	6
5	1307726GT	PIN,1.50DIA X 10.25LG,2RING,1THRD	1
6	1256127GT	BOLT,CARRIAGE,1/4-20X1",GR 5,ZAG	4
7	824113GT	WASHER,FLAT,USS,1/4,ZAG	6
8	1274165GT	NUT,NYLOCK,1/4-20,C,ZAG	4
9	825019GT	ROD END, .375X3.69, ZAG	6
10	824092GT	SCREW, HHF, 3/8-16 X 1.5, 8, ZAG	4
11	1274322GT	NUT,NYLOCK FLG,3/8-16,F,ZAG	7
12	1274511GT	MACHINING, COMPRESSION LINK	2
13	1253478GT	SCREW,HHF,3/8-16X2,8,ZAG	2
14	1269424GT	MACHINING, JIB ARM, 5 FT.	1
15	1269642GT	CLAMP, HOSE	2
16	1255756GT	BOLT,CARRIAGE,1/4-20X1.5,5,ZAG	2
17	76695GT	PIN,1.50 DIA X 8.75"LG,1HOLE	2
18	1256180GT	BOLT,CARRIAGE,1/4-20X2.75,5,ZAG	2
19	1277924GT	NUT,NYLOCK FLG,1/4-20,F,ZAG	6
20	1286171GT	WELDMENT, JIB HOSE GUIDE	1
21	824093GT	SCREW, HHF, 3/8-16 X 1.75, 8, ZAG	1
22	128483GT	BACKING PLATE, HOSE BLOCK, JIB	2
23	1327247GT	CLAMP, JIB HOSE/CABLE	2
24	88280GT	BEARING,1.5IDX1.75ODX0.75L	2
25		REF. ROTATOR MANIFOLD	
		(refer to 701.1)	
26	824081GT	SCREW, HHF, 1/4-20 X 1.5, 8, ZAG	3
27	48907GT	ELBOW,45D,520320-4	2



508.1 Jib Boom and Platform Rotator

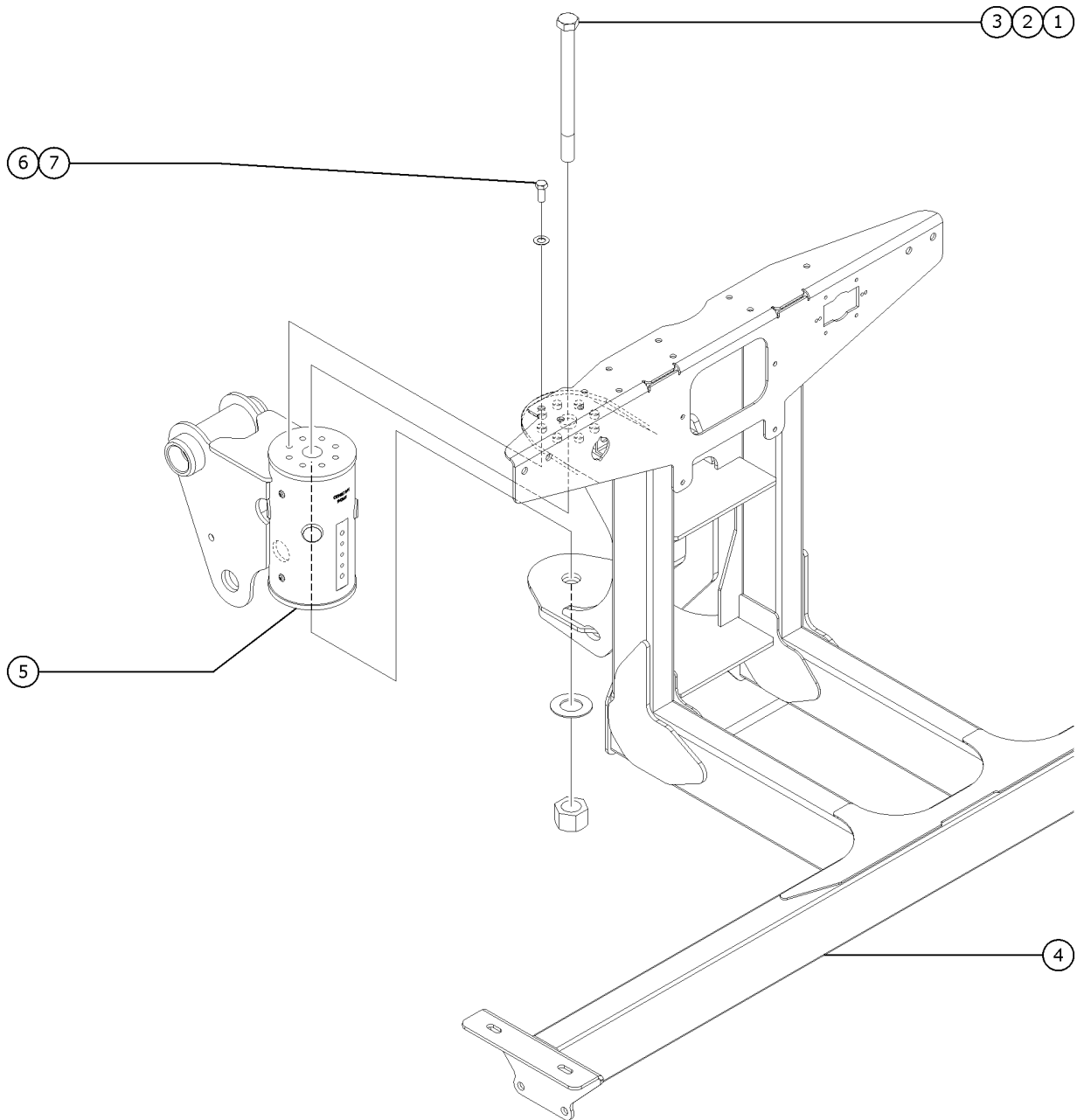


508.1 Jib Boom and Platform Rotator

Item	Part No.	Description	Qty.
28	214225GT	ROTATOR,PLATFORM,15K,JIB	1
28-	226542GT	SEAL KIT, 15K ROTATOR	
29	1276820GT	CYLINDER, JIB	1
29-	1276822GT	SEAL KIT FOR JIB CYLINDER	
30	48912GT	CONN,520120-4-6***	2
31	81175GT	PIN,1.25DIAX14.45LG,2HOLE	2
32	30220GT	BEARING,1.25ID X 1.5OD X 0.69L	2
33	1269367GT	FORMING, HOSE COVER	1
34	824065GT	SCREW,HHC,1/4-20X4,8,ZAG	2
35	1265019GT	FORMING, CABLE GUIDE	1
36	1256110GT	SCREW,BHC,3/8-16X2.25,F835,ZAG	1
37	1284573GT	GUIDE,CABLE,UHMW	1
38	233509GT	WASHER,FLAT,M10X30X2.5,DIN9021,ZAB	1
39	101932GT	TUBE, RD., STL., DOM .75 X .437 X .78	1
40	1283028GT	NUT,LP NYLOCK,3/8-16,2,ZAG	2
41	1276484GT	PIN, 1.50X5.625, 2 RING	1
42	18396GT	BEARING,1.5IDX1.75ODX1.0L	6
43	128268GT	BEARING,FL, 1.25X1.5X2.13	2
44	238330GT	MACH. JIB BELLCRANK	1
45	214226GT	BEARING,FL,1.75IDX2.00ODX1.61L	4
46	1310738GT	BOLT,SHS,1/2X4.0X3/8-16,ZAG	2
47	1306377GT	ASSEMBLY, ANGLE SENSOR, BELLCRANK	1
48	1311457GT	CYLINDER,PLATFORM LEVEL	1
48-	1279049GT	SEAL KIT, CYLINDER, LEVEL	1
48-	61602GT	VALVE,COUNTERBAL.CBBB-LHN@3500	
48-	54065GT	VALVE,COUNTERBALANCE,3500***	
49	48905GT	CONNECTOR, 520120-4	2



509.1 Platform Installation

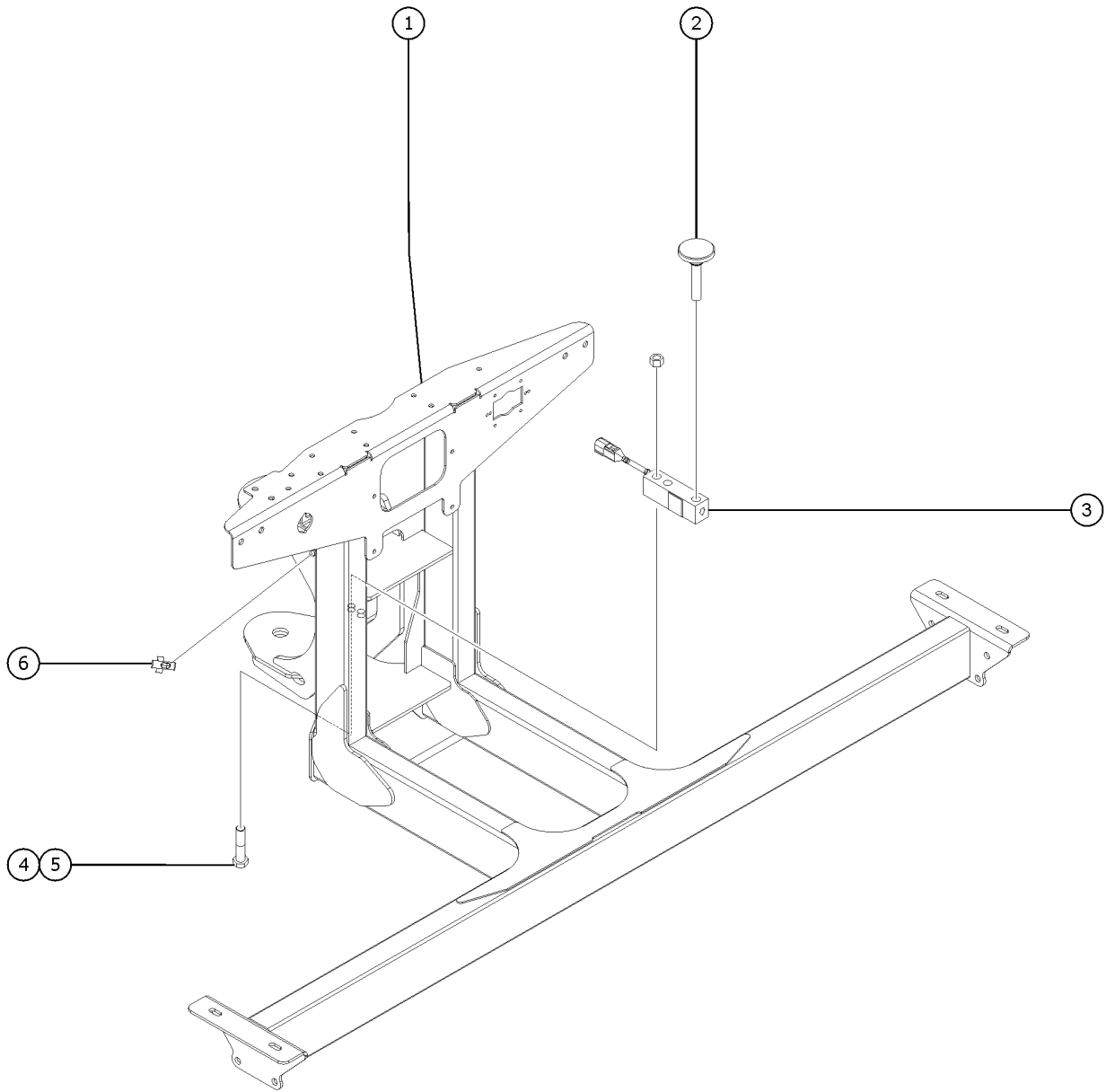


509.1 Platform Installation

<i>Item</i>	<i>Part No.</i>	<i>Description</i>	<i>Qty.</i>
1	824075GT	SCREW, HHC, 1-8 X 12.75, 5, ZAG	1
2	824116GT	WASHER, FLAT, 1.0, F436, HRD, ZAG	1
3	1283024GT	NUT, NYLOCK, 1-8, 8, ZAG	1
4		REF. PLATFORM MOUNT	
		(refer to 602.1)	
5		REF. PLATFORM ROTATOR	
		(refer to 508.1)	
6	1256843GT	SCREW, HHC, 1/2-13X1.25, 8, ZAG	8
7	825353GT	WASHER, FLAT, 1/2, SAE, HRD, ZAG	8



510.1 Platform Overload Components

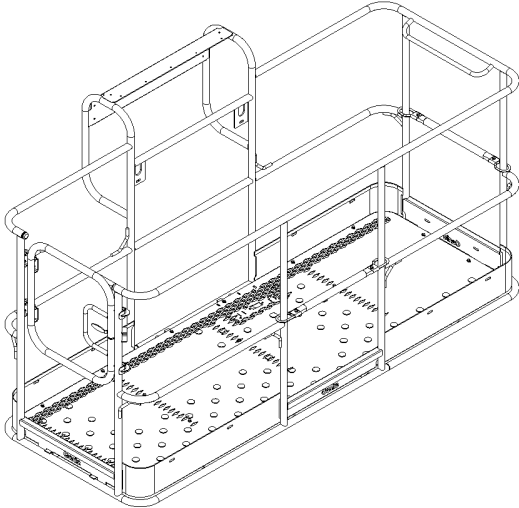


510.1 Platform Overload Components

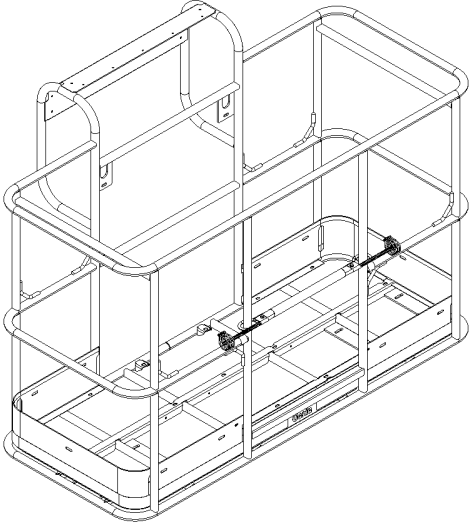
<i>Item</i>	<i>Part No.</i>	<i>Description</i>	<i>Qty.</i>
A	1274068GT	ASSEMBLY,PLAT SUPPORT,15K,LS	1
1		REF. WELDMENT, PLATFORM SUPPORT, 15 (refer to 602.1)	
2	1270337GT	LEVELING MOUNT, SWIVEL, 1/2-20X2, SS	1
3	1270278GT	LOAD CELL, J1939, 650KG/1433LB (1280949GT) NOTE: install with arrows pointing downwards (Calibration required after replacement)	1
4	1257464GT	SCREW,HHC,1/2-13X2.5,8,ZAG	2
5	1259106GT	NUT,1/2-13,8,ZAG	2
6	105214GT	CABLE TIE MOUNT, WINGED	1



601.1 Platform Configuration



(1) Side Swing Gate Platform



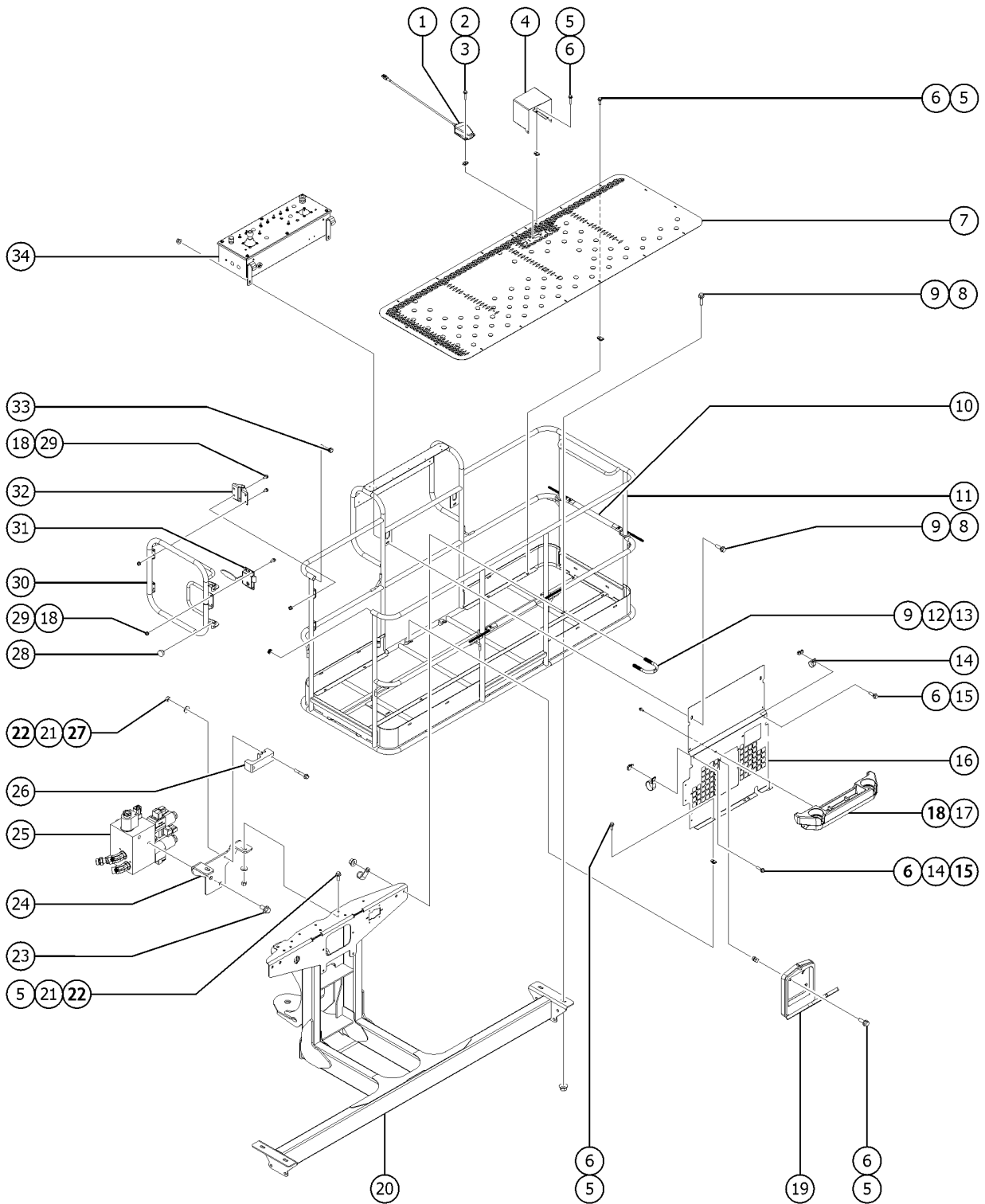
(2) Front Single Entry Platform



Item	Part No.	Description	Qty.
A-		PLAT ASSY,8' W/SIDE GATE,S80/85 XC ANSI WORD USA and Canadian models	
B-		PLAT ASSY,8' W/SIDE GATE,S80/85 XC CE European models	
C-		PLAT ASSY,8' W/SIDE GATE,S80/85 XC AUS Australian models	
D-		PLAT ASSY,8' W/SIDE GATE,S80/85 XC ANSI SYM Asia and South America models	
1	1272304GT	ASSY,8FT PLAT TRI LG,BLANK W/SIDE SWING GATE front and side entry	
1-	1274859GT	ASSY,8' PLAT WELDMNT W/SIDE GATE flooring and decal plate not included (refer to 602.1)	
1B	1272303GT	ASSY,6FT PLAT DUAL LG,BLANK W/SIDE SWING GATE front and side entry	
2	160809GT	ASSY,6FT PLATFORM,NO DECALS single entry	
2-	73900GT	WELDMNT,6 FT PLATFORM flooring and decal plate not included (refer to 602.1)	



602.1 Platform Components

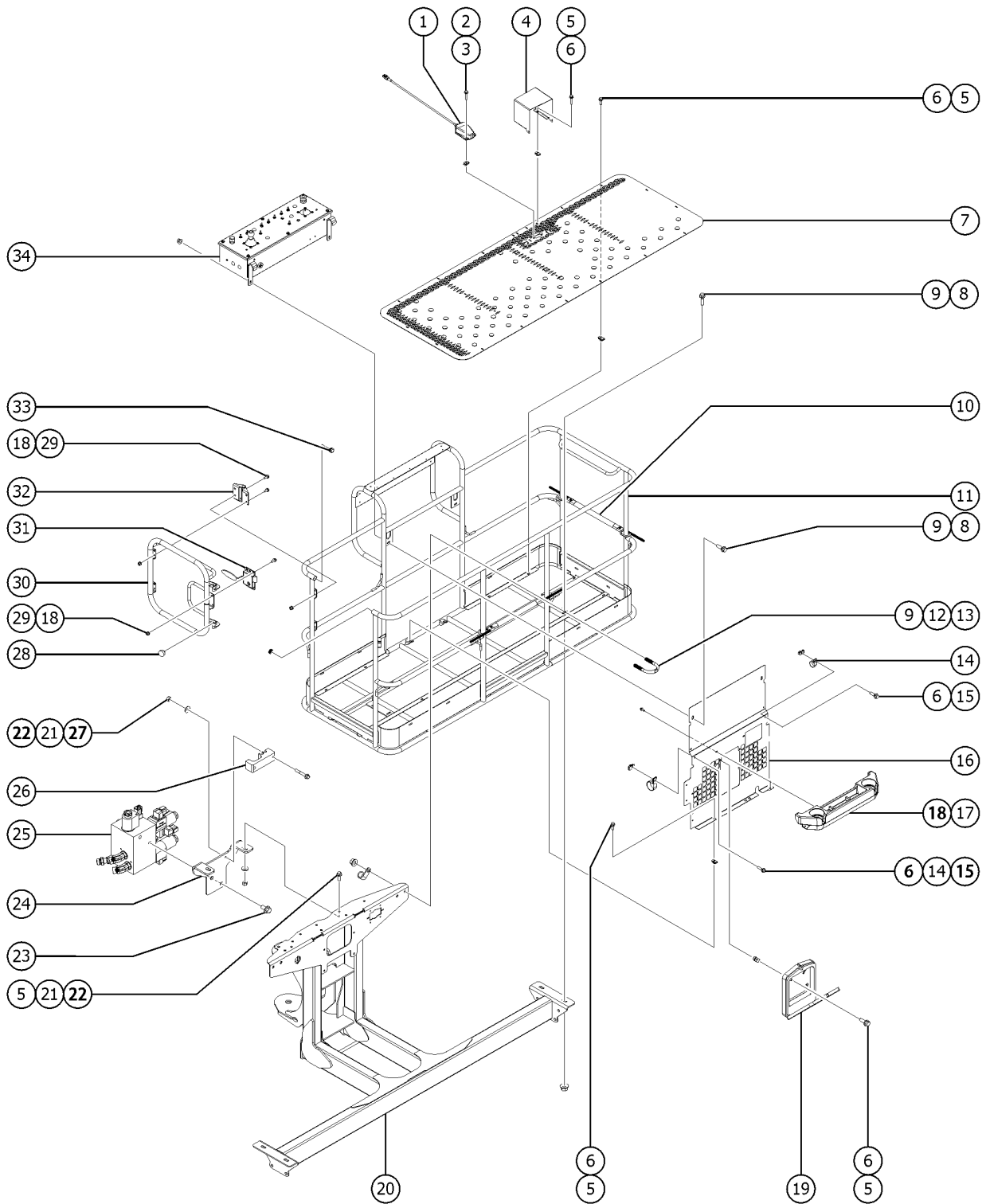


602.1 Platform Components

Item	Part No.	Description	Qty.
A	53471-750GT	WIRE LOOM,3/8 NYLON,SLIT	4
B	T112773GT	TAPE, PROTECTIVE MASK	4
1	227618GT	ASSEMBLY,FOOTSWITCH	1
2	1269641GT	SCREW,HHF-S,10-24X1.5,ZAG	2
3	73575GT	SPRING CLIP,10-24,.025-.125X.468,ZAG	2
4	147121GT	COVER, FOOT SWITCH, LARGE	1
5	824078GT	SCREW,HHF,1/4-20X.75,8,ZAG	26
6	56912GT	SPRING CLIP,1/4-20,.025-.15X.54,ZAG	28
7	73478GT	FLOORING, 8 FT PLATFORM*** for 8' platform	
7B	1267746GT	FLOORING, 6FT PLAT SIDE for 6' platform	1
8	824091GT	SCREW, HHF, 3/8-16 X 1.25, 8, ZAG	6
9	1274322GT	NUT,NYLOCK FLG,3/8-16,F,ZAG	6
10	12448GT	SLIDING MIDRAIL ASSY-STD for 8' platform	2
10B	102992GT	SLIDING MIDRAIL KIT,PTD for 6' platform	1
11		REF. WELDMENT, 8' PLATFORM for 8' platform refer to 601.1	1
11B		REF. WELDMENT, 6' PLATFORM for 6' platform refer to 601.1	1
12	1251600GT	U-BOLT, FLATTENED, 1.5DIA. X 3/8 UNC,ZAG	2
13	67897GT	CLAMP,0.56,#9 X 3/8,RUB CUSH	3
14	56424GT	CLAMP,1.25X.5 RUBBER-CUSHION	3
15	824079GT	SCREW,HHF,1/4-20X1,8,ZAG	3
16	1275088GT	FORMING, ALUM. DECAL PLATE	1
17	1275089GT	PLATFORM WORK TRAY	1
18	1256855GT	SCREW,HHF,1/4-20X.625,8,ZAG	16
19	24514GT	BOX, INSTRUCTION STORAGE**	1
20	1273734GT	WELDMENT,PLAT SUPPORT,15K,LS	
21	824113GT	WASHER,FLAT,USS,1/4,ZAG	6
22	1274165GT	NUT,NYLOCK,1/4-20,C,ZAG	6
23	824089GT	SCREW, HHF, 3/8-16 X .75, 8, ZAG	2



602.1 Platform Components

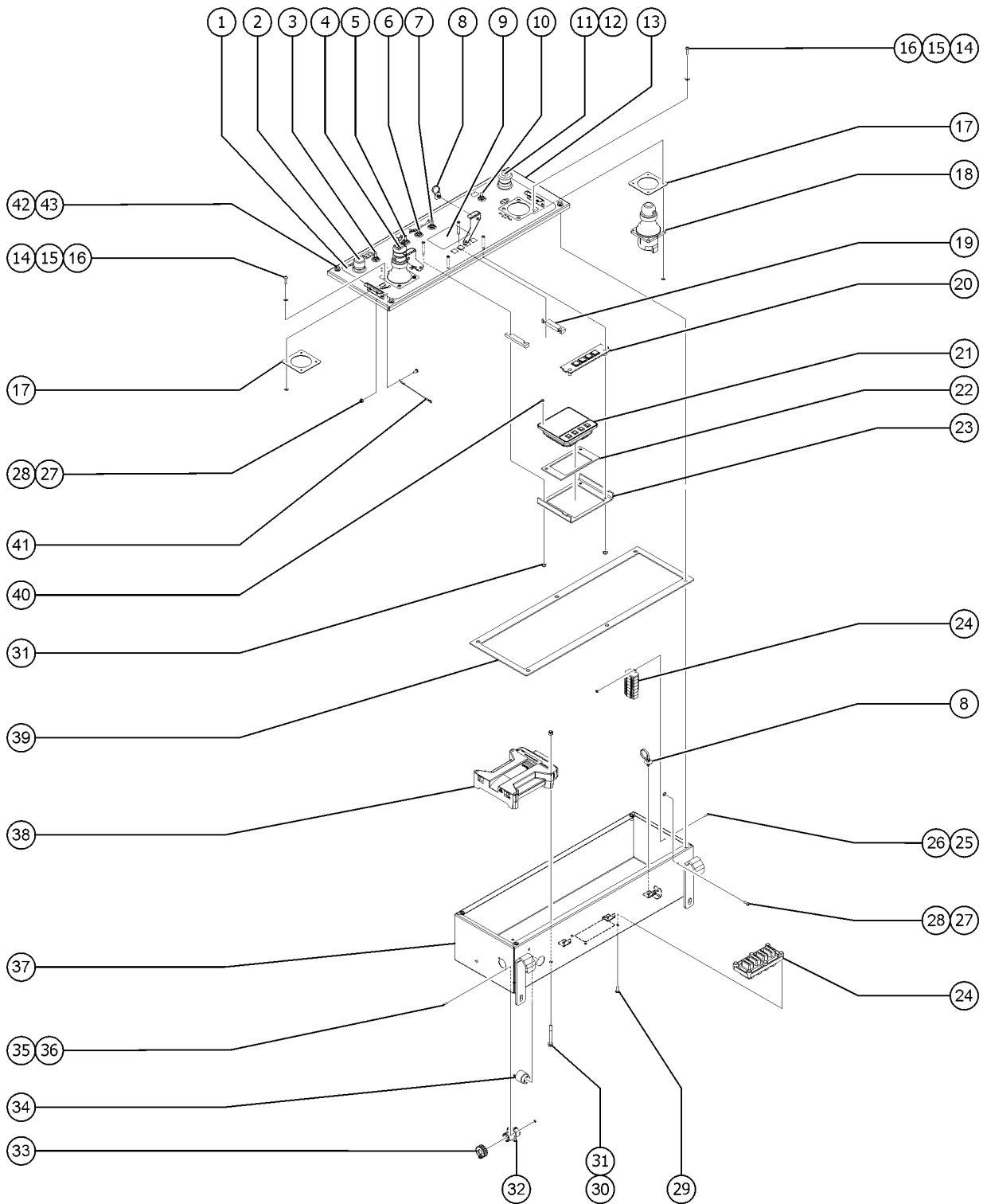


602.1 Platform Components

<i>Item</i>	<i>Part No.</i>	<i>Description</i>	<i>Qty.</i>
24	1303426GT	PLATE, PLATFORM MANIFOLD	1
25		REF. MANIFOLD,PLATFORM (refer to 702.1)	1
26	1316296GT	CLAMP,CABLE STRAIN RELIEF	1
26B	T115766GT	CLAMP,STRAIN RELIEF,WK LT (Worklight option)	1
27	824082GT	SCREW, HHF, 1/4-20 X 1.75, 8, ZAG	2
28	43392GT	BUMPER,BATTERY BOX & RAILS	2
29	1277924GT	NUT,NYLOCK FLG,1/4-20,F,ZAG	12
30	1265397GT	WELDMENT, SWING GATE	1
31	1267747GT	LATCH, SWING GATE	1
32	104804GT	HINGE, SPRING, LONG LEG	2
33	55753GT	BUMPER, PLASTIC, 1.25 O.D.	2
34		REF. PLATFORM CONTROL BOX ASSEMBLY (refer to 603.1)	



603.1 Platform Control Box

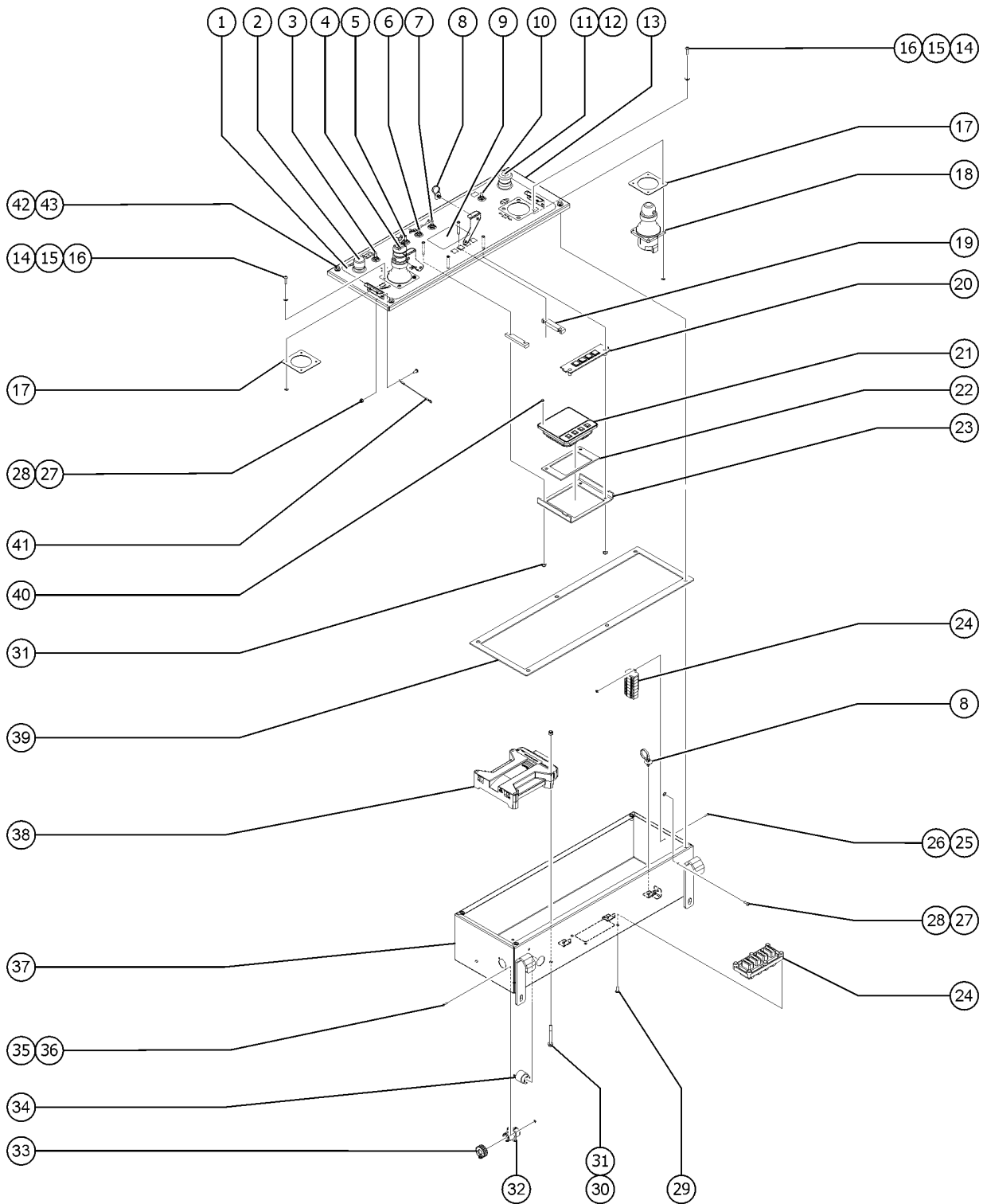


603.1 Platform Control Box

Item	Part No.	Description	Qty.
-	66815GT	BASE, W/1 N.O. CONTACTS***	
-	73805GT	BASE,W/2 NC CONTACTS***	
1	1321248GT	DECAL, PLATFORM CONTROL BOX	1
2	66813GT	BUTTON,PUSH,BLACK W/SEAL***	1
3	128200GT	SWITCH TOGGLE ASSY SPDT 3P MOM (platform level up/down)	1
4		REF. JOYSTICK (refer to 604.1)	1
5	128200GT	SWITCH TOGGLE ASSY SPDT 3P MOM (platform rotate left /right)	1
6	128200GT	SWITCH TOGGLE ASSY SPDT 3P MOM (jib up/down)	1
7	128200GT	SWITCH TOGGLE ASSY SPDT 3P MOM (Hi/Low RPM Toggle Switch)	1
8	110149GT	CABLE TIE,DFT MOUNT,BLK,6.5"	8
9	1327142GT	GUARD, POLYCARBONATE, DM430 DISPLAY	1
10	128200GT	SWITCH TOGGLE ASSY SPDT 3P MOM (Auxiliary Power Toggle Switch)	1
11	66812GT	BUTTON,PUSH,RED MUSHROOM HEAD	1
12	146478GT	BOOT(BELLOWS),E-STOP,BLACK	1
13	1321246GT	WELDMENT, LID PBOX	1
14	1335078GT	SCREW, 6 LOBE PH M5 X 20-ISO7045, SS	8
15	1269498GT	SHOULDER WASHER, NYLON	8
16	1335066GT	NUT, HEX, M5-0.8 DIN 934, SS	8
17	1269497GT	GASKET, ISOLATION, JOYSTICK	2
18		REF. JOYSTICK Drive joystick needs to be ordered separately; (refer to 604.1)	1
19	1327264GT	SPACER,DISPLAY DM430	2
20	1324057GT	PLASTIC, BUTTON EXTENDER	1
21	1327728GT	DISPLAY,VCON,DM430	1
22	1327144GT	GASKET, FRONT, DM430 DISPLAY	1
23	1327143GT	FORMING, RETAINER, DM430 DISPLAY	1
24	1320336GT	HARNESS, DM430 PCON S85 DC/FE (include 1266122GT, 73736GT, 1272122GT, 1272123GT)	1
25	1335092GT	SCREW, PPH MS,4-40 X 0.25,SS	2
26	1335091GT	NUT, SQ. MS, 4-40, GRADE 18-8 SS	2



603.1 Platform Control Box

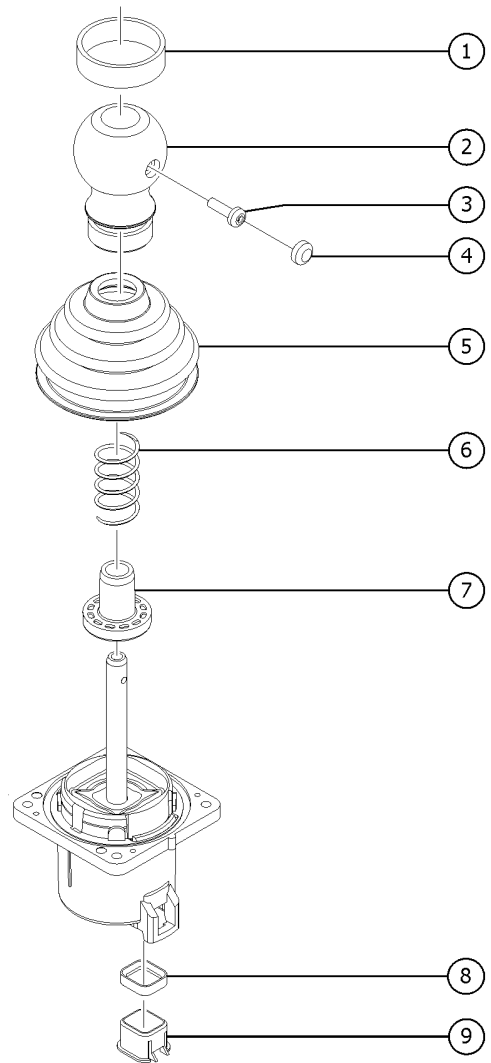
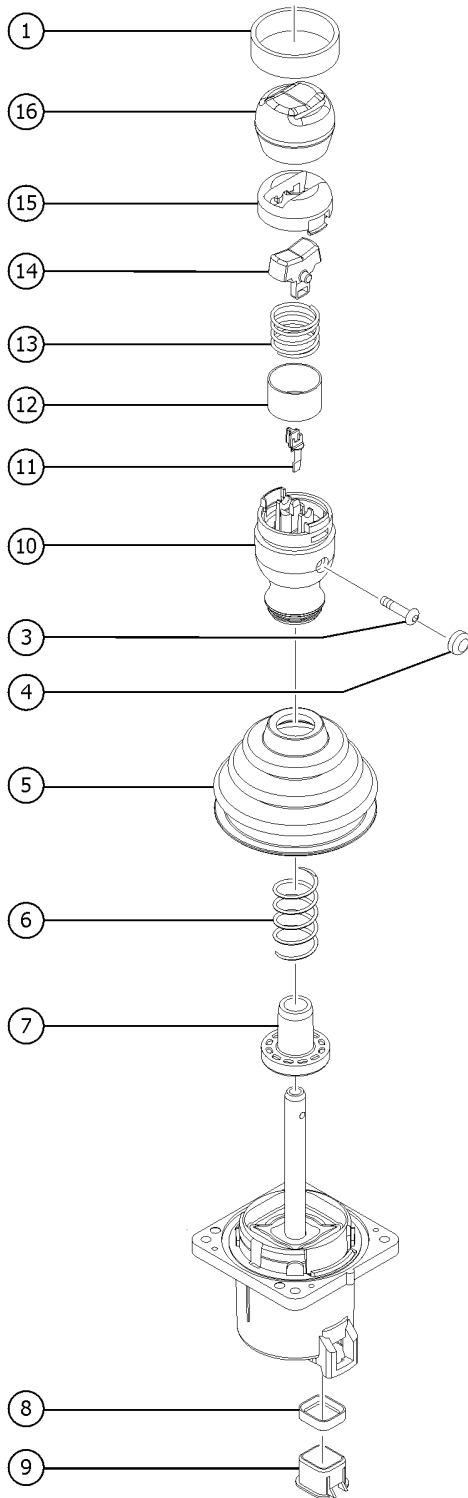


603.1 Platform Control Box

<i>Item</i>	<i>Part No.</i>	<i>Description</i>	<i>Qty.</i>
27	54365GT	SCREW,PHIL,PHM,10-32 X .5,SSTL	4
28	1335059GT	NUT, NYLOCK, 10-32, SS	4
29	824226GT	SCREW, PHPSH, #12-11 X .75, ZAG	4
30	824083GT	SCREW, HHF, 1/4-20 X 2.5, 8, ZAG	4
31	1274165GT	NUT,NYLOCK,1/4-20,C,ZAG	8
32	1272122GT	CONN, RECEP, 5 WAY, DEUTSCH, HD10	1
33	1272123GT	DUST CAP, RECEPTACLE, 5 WAY, CIRCULAR	1
34	39540GT	ALARM, STEADY TONE***	1
35	1253477GT	SCREW,PHPM,4-40X.5,ZAG	2
36	1283012GT	NUT,NYLOCK,4-40,2,ZAG	2
37	1321244GT	WELDMENT, PBOX	1
38	1322585GT	ASSY, CONTROLLER PCON, S85 XC DC	1
39	81488GT	GASKET,PLATFORM CONTROL BOX	1
40	119976GT	BUMPER,5/16DIA X 7/64 PROJ,ADH.	4
41	77351GT	LANYARD,PLATFORM CONTROL BOX	2
42	1256855GT	SCREW,HHF,1/4-20X.625,8,ZAG	4
43	995750GT	WASHER FLAT BONDED RUB	4



604.1 Joysticks

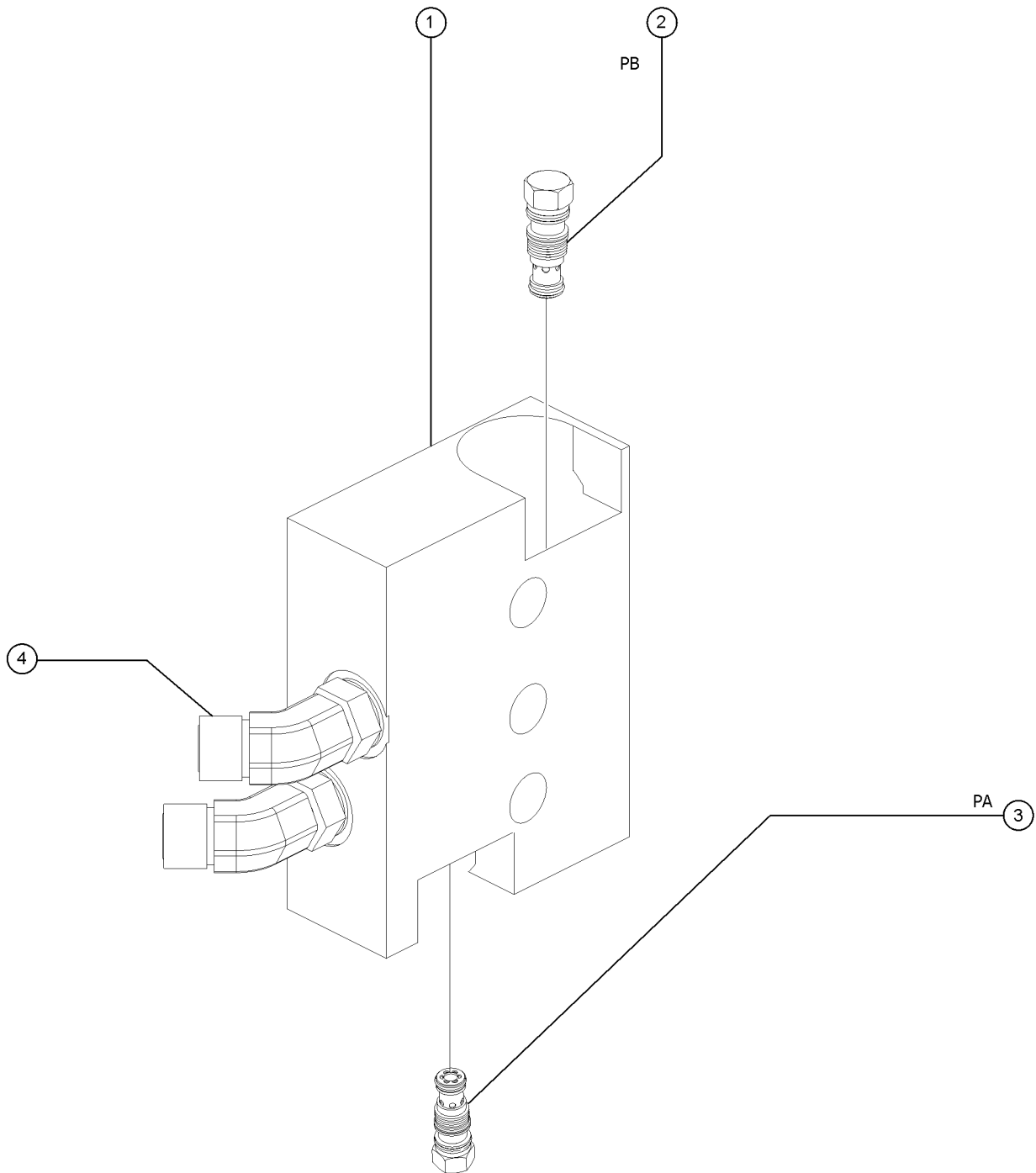


604.1 Joysticks

Item	Part No.	Description	Qty.
A-	1274971GT	JOYSTICK, 2 AXIS, BLUE OEM joystick (calibration required after replacement) includes gasket part 1269497 and shoulder washer part 1269498 (refer to 603.1)	1
B-	1274970GT	JOYSTICK, 2 AXIS ROCKER, BLUE OEM joystick (calibration required after replacement) includes gasket part 1269497 and	1
C-	1275258GT	JOYSTICK, ISOLATED, ASSY, ROCKER OEM joystick (calibration required after replacement) includes gasket part 1269497 and	1
D-	83098GT	TERM,AMP MTE,SOC,22-26 GA BULK shoulder washer part 1269498 (refer to 603.1)	1
1	1335662GT	SHRINK TUBE; BLUE, 3:1, 40MM X 0.5"LG replaces 1271713GT	2
2	62392GT	KNOB,JOYSTICK, 62390/62391	1
3	T112626GT	SCREW, PHM, #6-32 X .625 ZINC	1
4	1269499GT	PLUG, JOYSTICK HANDLE	2
5	139598GT	BOOT,JOYSTICK	1
6		SPRING,JOYSTK CENTR,62390/91 (no longer available from supplier)	
7	119915GT	COLLAR, JOYSTICK, CENTER	1
8	128000GT	SEAL, CONNECTOR (DT JOYSTICKS)	1
9	128001GT	SLEEVE,CONNECTOR,DT JOYSTICKS	1
10	75449GT	KNOB,ROCKER JOYSTICK 75565	1
11	75448GT	SUPPORT,SENSOR,JOYSTICK	1
12	75447GT	SWITCH SHIELD,ROCK JOYSTK75565	1
13	75446GT	SPRING,SWITCH CENTERING,75565	1
14	75445GT	ROCKER ASSY.,MAGNETIC 75565	1
15	75444GT	ROCKER,RETAINER, 75565	1
16	75443GT	BOOT, ROCKER JOYSTICK 75565	1



701.1 Platform Rotator Manifold

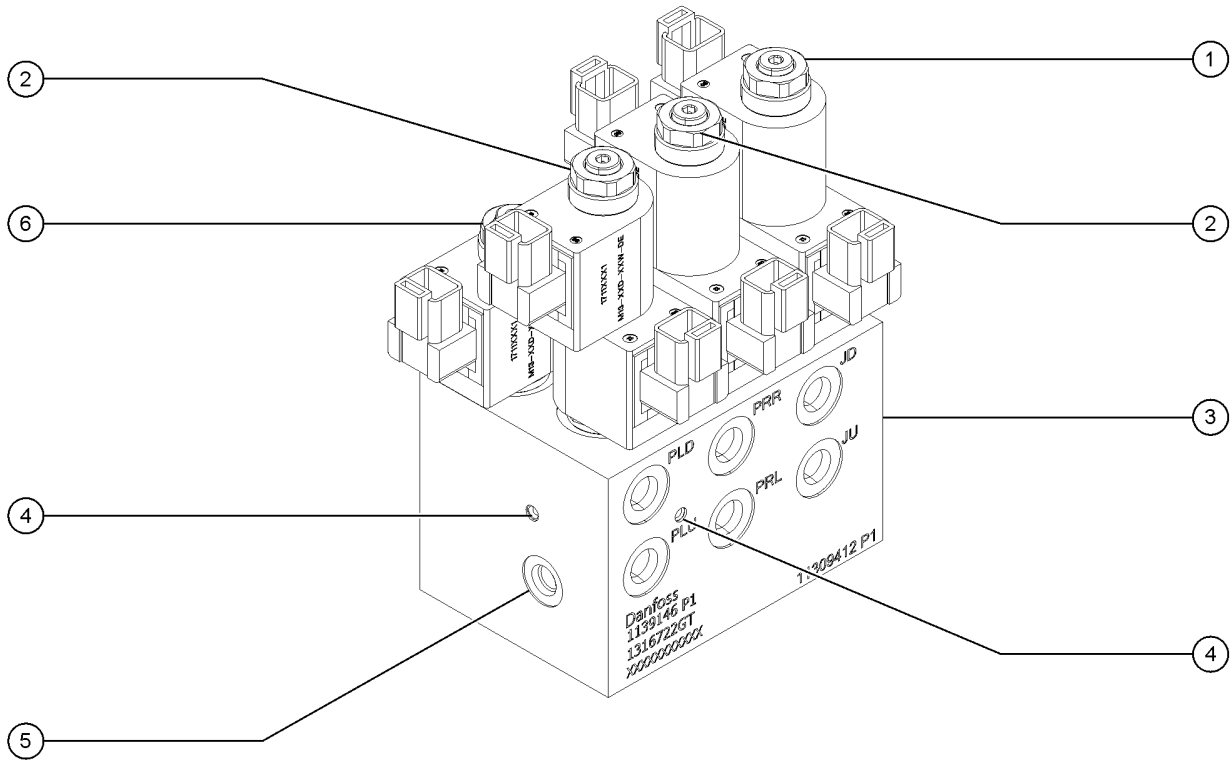


701.1 Platform Rotator Manifold

<i>Item</i>	<i>Part No.</i>	<i>Description</i>	<i>Qty.</i>
1	1270810GT	MANIFOLD, ROTATOR, CB (Complete)	1
1-	62507GT	O-RING, ROTATOR MANIFOLD	2
2	62506GT	VALVE - COUNTERBALANCE** PB, Platform rotate left	1
2-	43018GT	SEAL KIT (39345)	
3	62506GT	VALVE - COUNTERBALANCE** PA, Platform rotate right	1
3-	43018GT	SEAL KIT (39345)	
4	48907GT	ELBOW,45D,520320-4	2



702.1 Platform Manifold

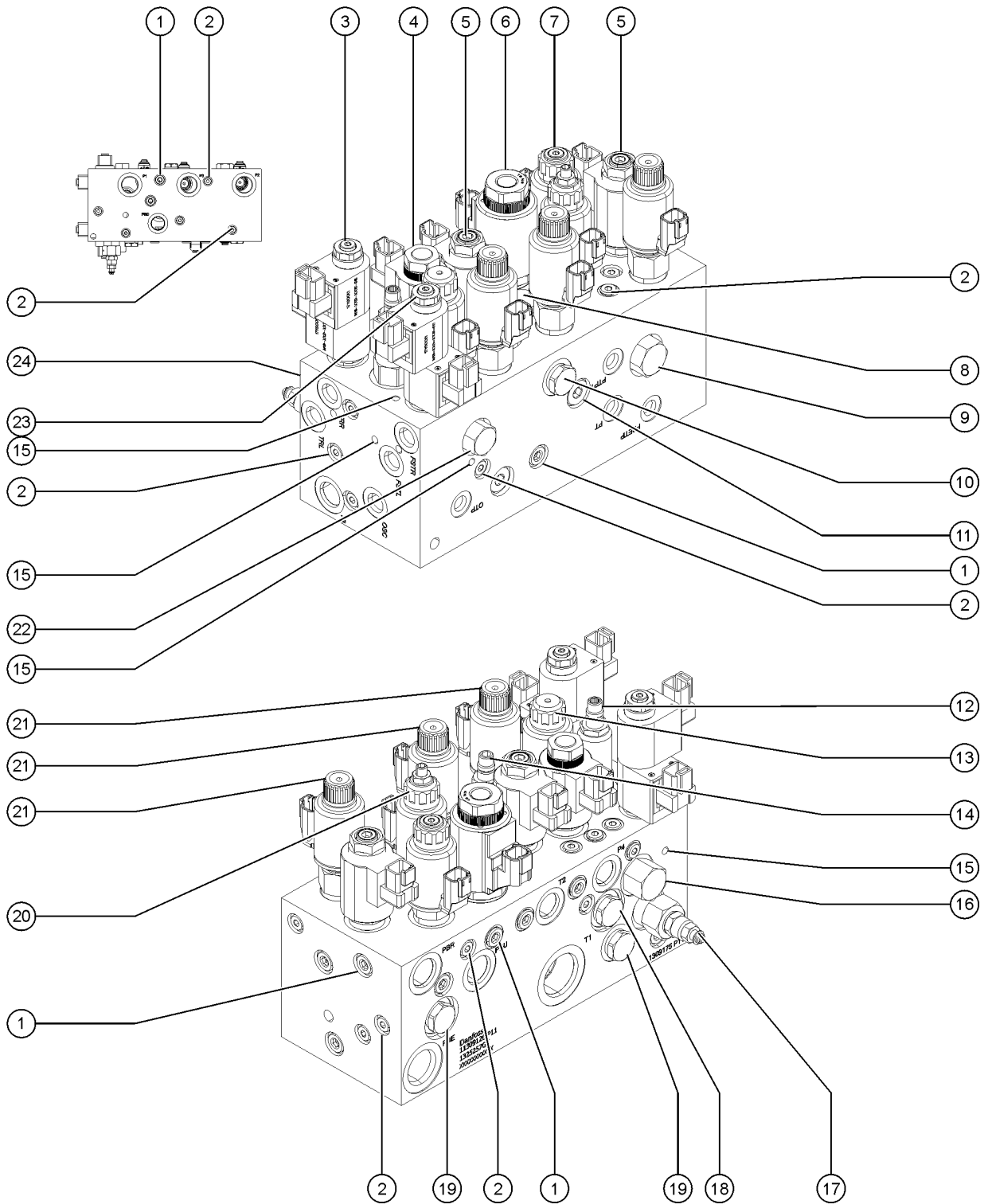


702.1 Platform Manifold

<i>Item</i>	<i>Part No.</i>	<i>Description</i>	<i>Qty.</i>
A	1316721GT	ASSY,PLATFORM MANIFOLD,S85 XC	1
-	1316722GT	MANIFOLD, PLATFORM, E-LEVEL AND JIB, 24V	1
-	1297451GT	FITTING, ORFS, STR, 125 MICRON SCREEN, SAE -6	1
1	1334052GT	VALVE, PROPRORTINAL #2	1
2	1334050GT	VALVE, PROPRORTINAL #1	2
3	1334049GT	BODY, PLATEFORM MINIFOLD	1
4	1334048GT	PLUG, 8MM EXPANDER	2
5	1260124GT	PLUG, 6 SAE, TAPERED, BUNA	1
6	1334051GT	VALVE, SWITCH	1



703.1 Function Manifold

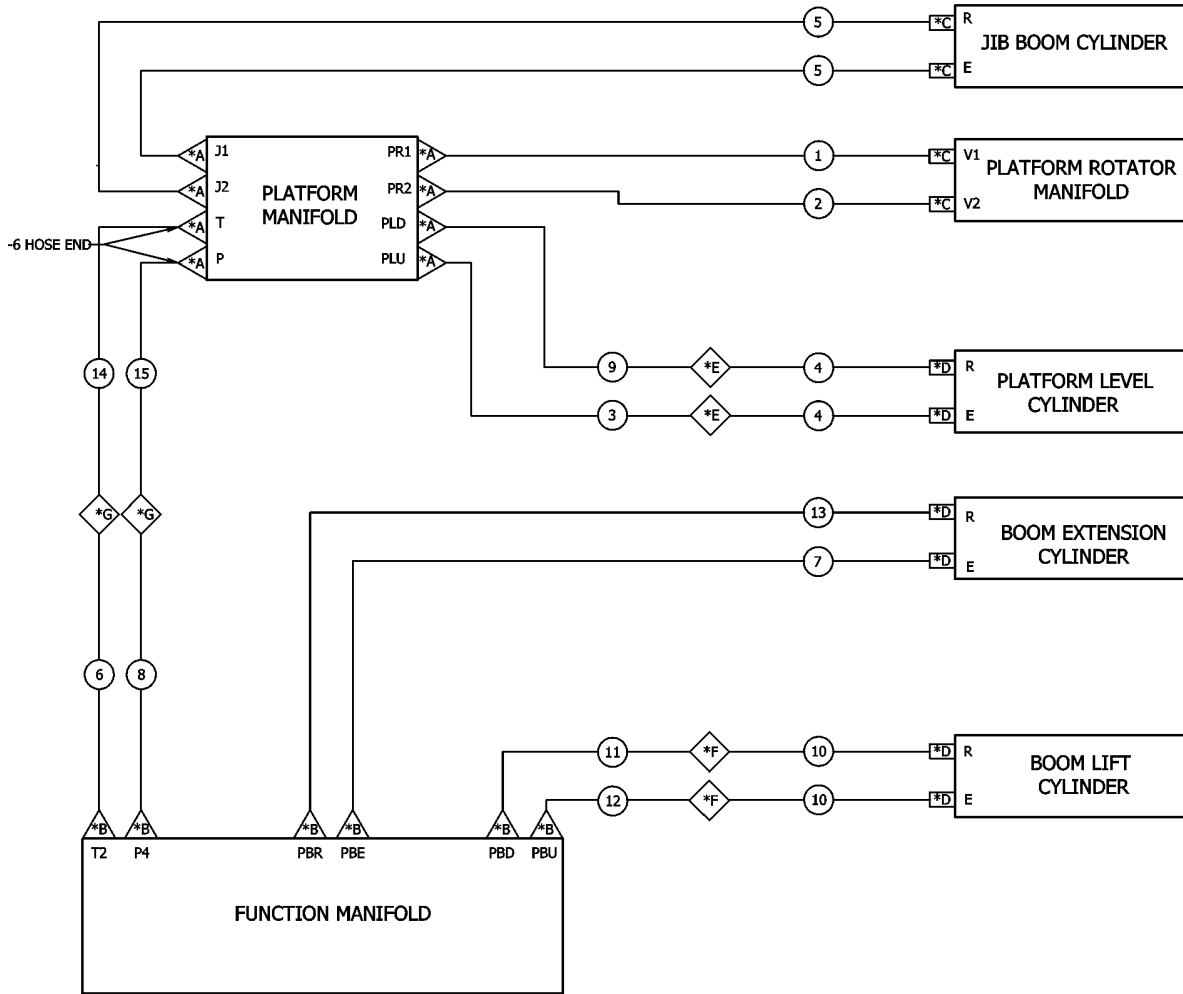


703.1 Function Manifold

Item	Part No.	Description	Qty.
1	1260124GT	PLUG, 6 SAE, TAPERED, BUNA	11
2	69550GT	PLUG,ORB #4	20
3	1334062GT	VALVE,SWITCH,SV08-34-05-24D-DED-B-00	1
4	1334057GT	VALVE,SWITCH,SV10-22-02-24D-DED-B-00	1
5	1334066GT	VALVE,SWITCH,SV10-22-02-24D-DED-B-00	2
6	1334065GT	VALVE,SWITCH,SV15-22-02-24D-DED-B-00	1
7	1334068GT	VALVE, PROPRORTIONAL,PSV10-NC-40-24D-DE-B-00	1
8	122646GT	BYPASS VALVE RELIEF	1
9	1260121GT	VALVE, FLOW REG, 4.1 GPM	1
10	1260116GT	VALVE, CHECK, 30 PSI	1
11	1260125GT	PLUG, 8 SAE, TAPERED, BUNA	2
12	1334060GT	VALVE,RELIEF,CP240-5-B-0-E-C-110	1
13	1334061GT	VALVE, PROPRORTIONAL,CP518-PNC-U-0-8H-24D-DE	1
14	1334059GT	VALVE,RELIEF,CP208-1-B-0-E-C-240	1
15	1334048GT	PLUG, 8MM EXPANDER	7
16	94599GT	VALVE,DIFFERENTIAL SENSING,110	1
17	1334063GT	PRMP 064-EN-2-00-65	1
18	1334055GT	CHECK VALVE CV08-NP-1-B-00	1
19	1334054GT	CHECK VALVE CV08-NP-0.3-B (NEW)	2
20	1334067GT	VALVE, PROPRORTIONAL,PSVP10-NCR-24D-DE-B-00	1
21	1334058GT	VALVE, PROPRORTIONAL,XMP 06-250-24D-DE-00-00	3
22	1334053GT	FLOW CONTROL,CP308-1-B-0-3.5	1
23	1334064GT	VALVE,SWITCH,SV08-34-02-24D-DED-B-00	1
24	1334056GT	BODY, FUNCTION MANIFOLD	1



704.1 Elevate Plumbing



NOTES:

- 1. PLUMBING ASSEMBLY DOES NOT INCLUDE CLAMPS
- *A. FOR FITTINGS, OPEN PLATFORM MANIFOLD ASSEMBLY
- *B. FOR FITTINGS, OPEN FUNCTION MANIFOLD ASSEMBLY
- *C. FOR FITTINGS, OPEN JIB, 1K ASSEMBLY
- *D. FOR FITTINGS, OPEN ELEVATE ASSEMBLY
- *E. FOR FITTINGS, OPEN BOOM 3 ASSEMBLY
- *F. FOR FITTINGS, OPEN SHORT LINK ASSEMBLY
- *G. FOR FITTINGS, OPEN MAST CABLE TRACK ASSEMBLY

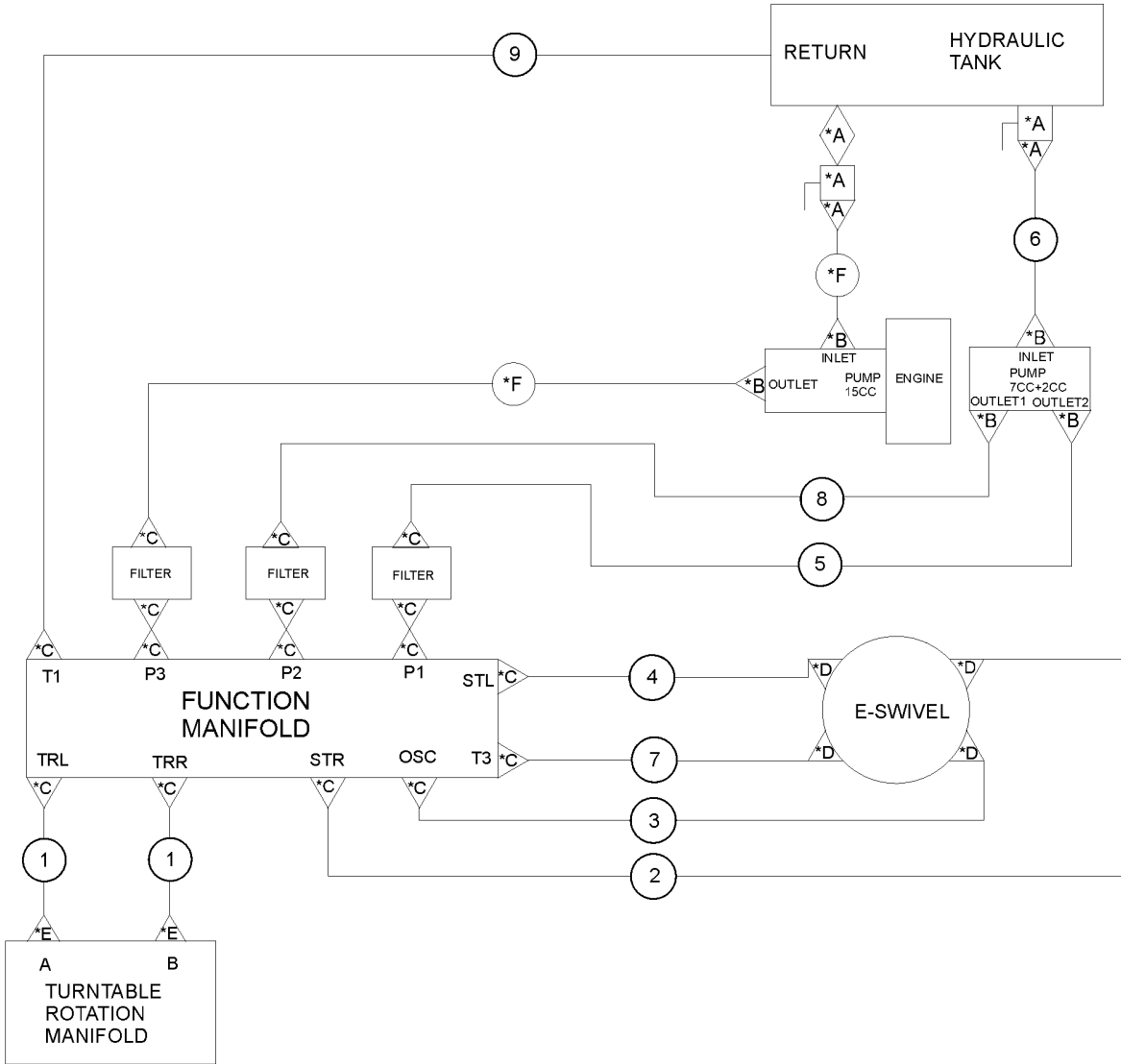
LEGEND	
	ADAPTER
	HOSE ASSEMBLY
	UNION



<i>Item</i>	<i>Part No.</i>	<i>Description</i>	<i>Qty.</i>
1	49116-2437GT	HOSE ASSY,1/4,45 FEM,STR FEM	1
2	49116-2637GT	HOSE ASSY,1/4,45 FEM,STR FEM	1
3	49117-12291GT	ASSY,HOSE,HYD,-6,5000,STR,STR	1
4	49119-2478GT	HOSE ASSEMBLY, 1/4, STRAIGHT FEMAL	2
5	49119-4978GT	ASSY, HOSE, HYD, 3250, -4, STR, STR	2
6	49183-47653GT	HOSE ASSY,1/2,STR FEM,STR FEM	1
7	61074-15648GT	ASSY, HOSE, HYD, -12, 3000, STR, STR	1
8	81812-47605GT	ASSY, HOSE, HYD,-8 ,4250, STR, STR	1
9	121787-12291GT	ASSY,HOSE,HYD,-8,3000,STR,90	1
10	1295188-5041GT	ASSY, HOSE, HYD, -10, 3000, STR, 90LNG	2
11	1295188-11720GT	ASSY, HOSE, HYD, -10, 3000, STR, 90LNG	1
12	1295188-12440GT	ASSY, HOSE, HYD, -10, 3000, STR, 90LNG	1
13	1321978-16211GT	ASSY, HOSE, HYD, -10, 3000, STR, 45	1
14	1323193-73450GT	ASSY,HOSE,HYD,-8,3000,STR,STR	1
15	1325228-73609GT	ASSY, HOSE, HYD, -8, 4250, STR, STR	1



705.1 Swing Plumbing (FE)



NOTES:

- *A. FOR FITTINGS, OPEN HYDRAULIC TANK ASSEMBLY.
- *B. FOR FITTINGS, OPEN PUMP ASSEMBLY.
- *C. FOR FITTINGS, OPEN FUNCTION MANIFOLD ASSEMBLY.
- *D. FOR FITTINGS, OPEN SWIVEL ASSEMBLY.
- *E. FOR FITTINGS, OPEN TURNTABLE ROTATION MANIFOLD ASSEMBLY.
- *F. FOR HOSE SPECIFICATION OPEN P/N1328452.

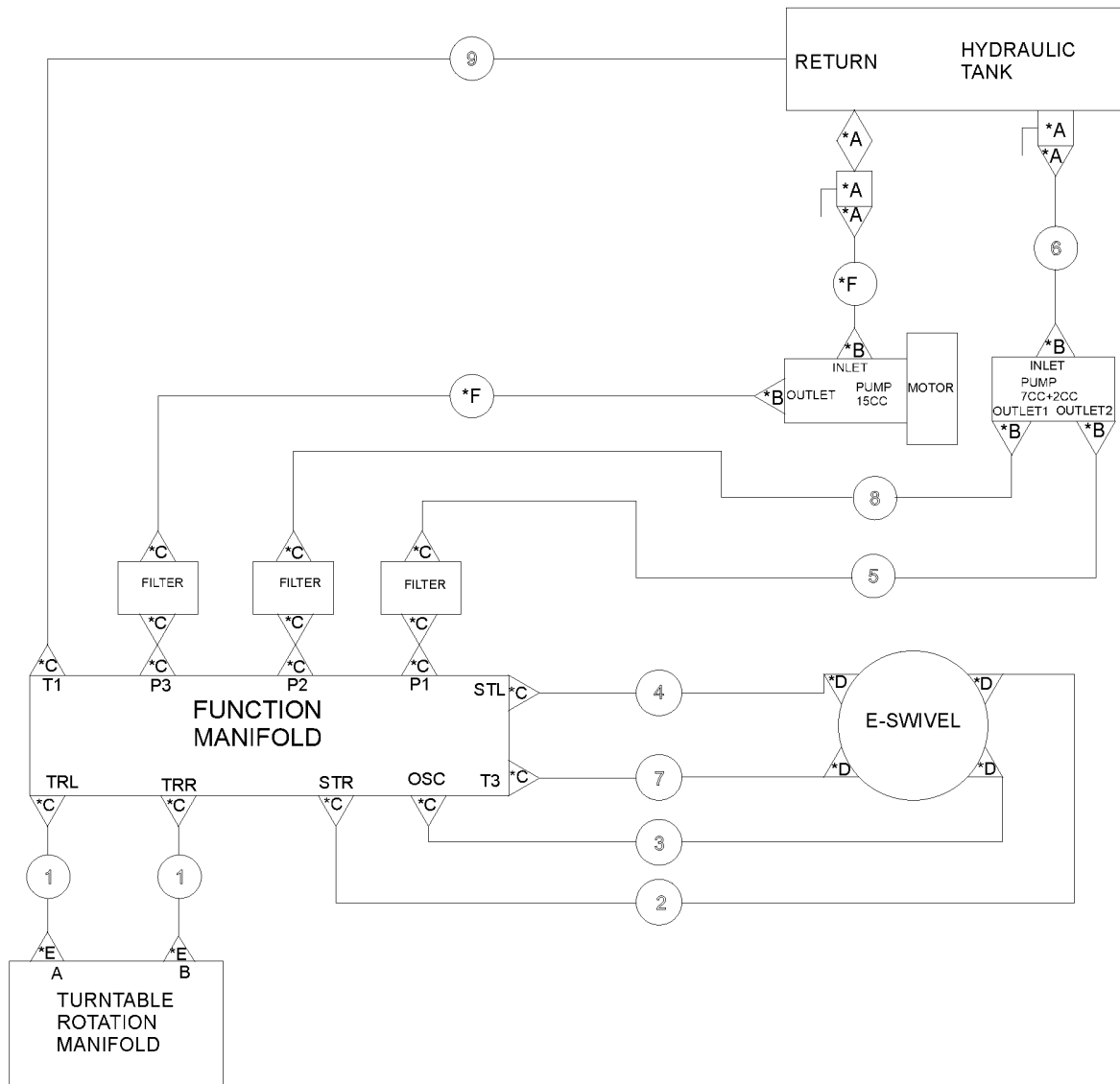
LEGEND	
	ADAPTER
	HOSE ASSEMBLY
	UNION
	BALL VALVE

705.1 Swing Plumbing (FE)

<i>Item</i>	<i>Part No.</i>	<i>Description</i>	<i>Qty.</i>
1	49130-3482GT	ASSY, HOSE, HYD, -6, 3000, STR, STR	2
2	49130-4582GT	ASSY, HOSE, HYD, -6, 3000, STR, STR	1
3	49130-5082GT	HOSE ASSY 3/8, STR FEM,STR FEM	1
4	49130-4370GT	ASSY, HOSE, HYD, -6, 3000, STR, STR	1
5	49183-4692GT	HOSE ASSY,1/2,STR FEM,STR FEM	1
6	88949-1728GT	ASSY, HOSE, HYD, -16, 250, STR, STR	1
7	94465-4050GT	HOSE ASSY,1/2"	1
8	228752-5400GT	ASSY, HOSE, HYD, -10, 3000, STR, STR	1
9	1325205-9843GT	ASSY, HOSE, HYD,250,-16, STR	1



706.1 Swing Plumbing (E)



NOTES:

- *A. FOR FITTINGS, OPEN HYDRAULIC TANK ASSEMBLY.
- *B. FOR FITTINGS, OPEN PUMP ASSEMBLY.
- *C. FOR FITTINGS, OPEN FUNCTION MANIFOLD ASSEMBLY.
- *D. FOR FITTINGS, OPEN SWIVEL ASSEMBLY.
- *E. FOR FITTINGS, OPEN TURNTABLE ROTATION MANIFOLD ASSEMBLY.
- *F. FOR HOSE SPECIFICATION OPEN P/N1328454.

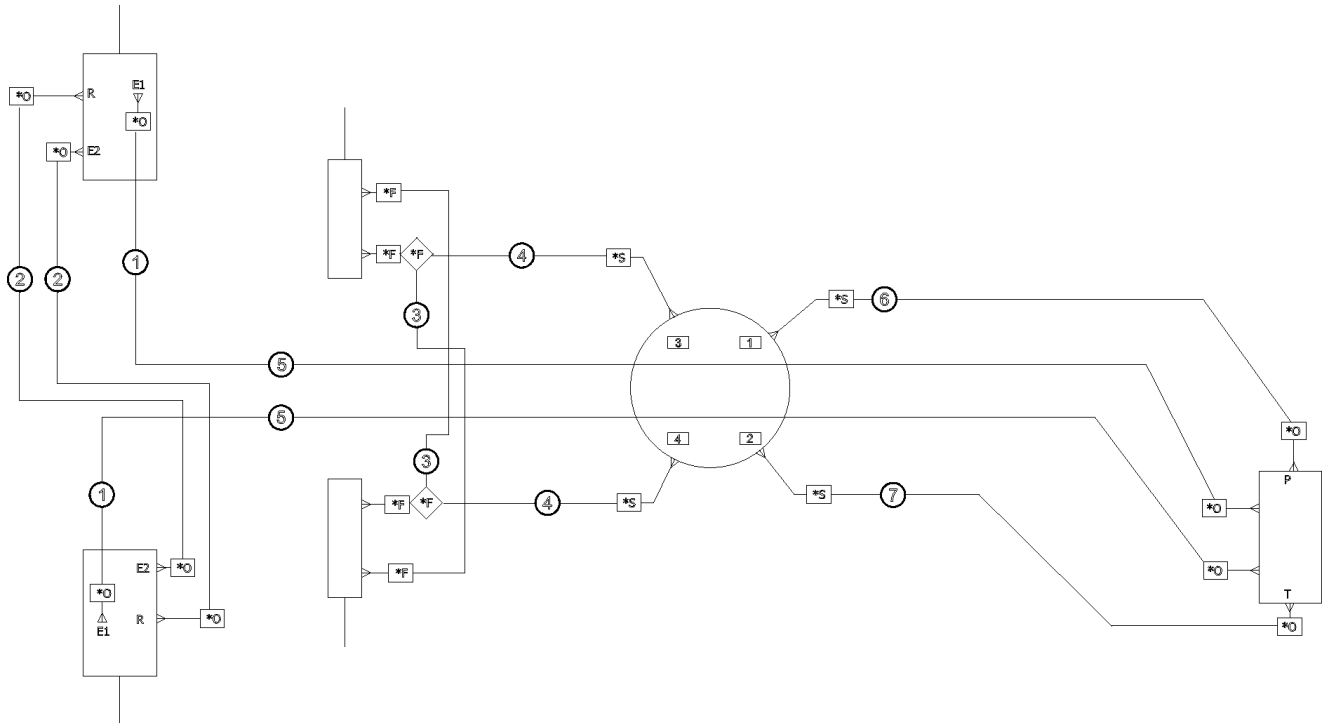
LEGEND	
	ADAPTER
	HOSE ASSEMBLY
	UNION
	BALL VALVE

706.1 Swing Plumbing (E)

<i>Item</i>	<i>Part No.</i>	<i>Description</i>	<i>Qty.</i>
1	49130-3482GT	ASSY, HOSE, HYD, -6, 3000, STR, STR	2
2	49130-4370GT	ASSY, HOSE, HYD, -6, 3000, STR, STR	1
3	49130-4582GT	ASSY, HOSE, HYD, -6, 3000, STR, STR	1
4	49130-5082GT	HOSE ASSY 3/8, STR FEM,STR FEM	1
5	49183-4692GT	HOSE ASSY,1/2,STR FEM,STR FEM	1
6	88949-1728GT	ASSY, HOSE, HYD, -16, 250, STR, STR	1
7	94465-4050GT	HOSE ASSY,1/2"	1
8	228752-5400GT	ASSY, HOSE, HYD, -10, 3000, STR, STR	1
9	1325205-9843GT	ASSY, HOSE, HYD,250,-16, STR	1



707.1 Drive Plumbing



NOTES:

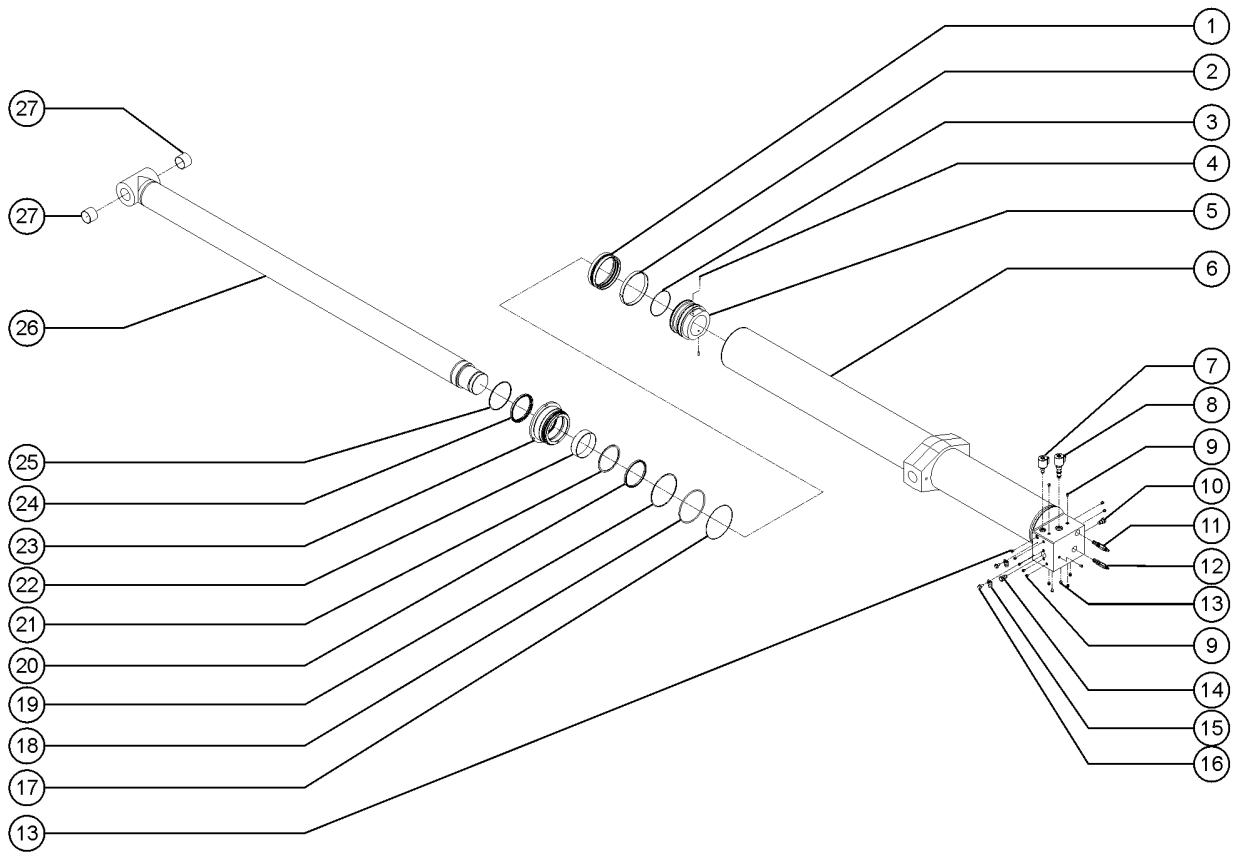
- *F. FOR FITTINGS, OPEN THE FRONT AXLE ASSEMBLY.
- *O. FOR FITTINGS, OPEN THE DRIVE OSCILATE ASSEMBLY.
- *S. FOR FITTINGS, OPEN THE SWIVEL ASSEMBLY.

707.1 Drive Plumbing

<i>Item</i>	<i>Part No.</i>	<i>Description</i>	<i>Qty.</i>
1	48773-2000GT	SLEEVE,NYLON,.86 ID	2
2	49119-3378GT	HOSE ASSY,1/4,STR FEM,STR FEM	2
3	49130-3057GT	HOSE ASSEMBLY,3/8"	2
4	49130-6218GT	ASSY, HOSE, HYD, -6, 3000, STR, STR	2
5	49130-13982GT	HOSE ASSY 3/8,STR FEM,STR FEM	2
6	49131-6403GT	ASSY, HOSE, HYD, -6, 3000, STR, STR -8-6	1
7	94465-6450GT	ASSY, HOSE, HYD, -8, 300, STR, STR	1



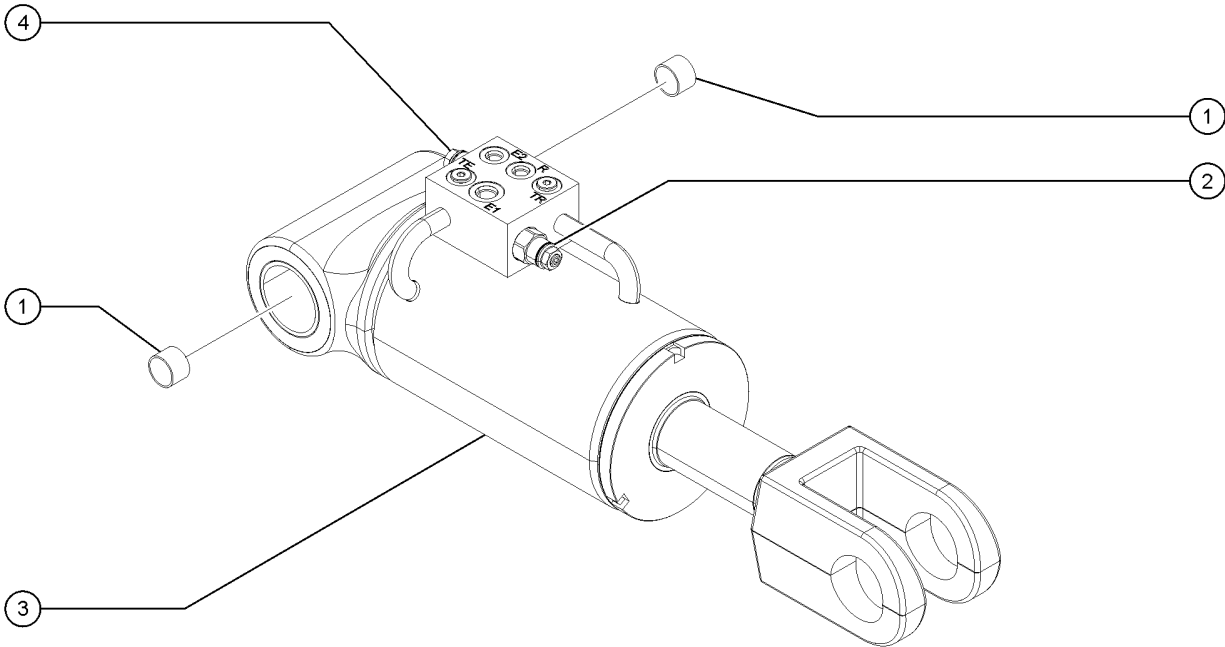
708.1 Lift Cylinder



Item	Part No.	Description	Qty.
1	1334277GT	COMPACT SEAL,190X165X25.4X127	1
2	1334276GT	WEAR RING,D190D182W20	1
3	1334275GT	O-RING,1BG140	1
4	1334274GT	SET SCREW,M8P1.25L20	2
5	1334273GT	PISTON	1
6	1334262GT	TUBE ASSY	1
7	1334278GT	SOLENOID VALVE,HSV10-22-0-U-34ER	1
8	1334279GT	SOLENOID VALVE,HSPEC12-34-0-U-24ER	1
9	1334285GT	PLUG,3/8-24UNF	13
10	1334280GT	VALVE,CHECK,CV10-20-0-N70	1
11	1334281GT	VALVE,SEQUENCE,5000PSI	1
12	1334282GT	VALVE,C/BALANCE,500PSI	1
13	1334284GT	PLUG,7/16-20UNF	2
14	1334283GT	VALVE,CHECK,CV50-20-0-P-05	1
15	45470GT	CLAMP,0.31,#5 X 1/4,RUB CUSH	2
16	824077GT	SCREW, HHF, 1/4-20 X .5, 8, ZAG	2
17	1334272GT	O-RING,AS568	1
18	1334271GT	O-RING,1BG180	1
19	1334270GT	BACK UP RING	1
20	1334269GT	U-PACKING,140X155X9	1
21	1334268GT	BACK UP RING,D140D155T3/T2	1
22	1334267GT	ROD BUSH,14040	1
23	1334264GT	ROD COVER	1
24	1334265GT	DUST WIPER,140X160X10	1
25	1334266GT	RETAINING RING,D163.6T2.5B4.0	1
26	1334263GT	ROD ASSY	1
27	27698GT	BEARING,2.50IDX2.75ODX2.00L	1



709.1 Oscillating Cylinder

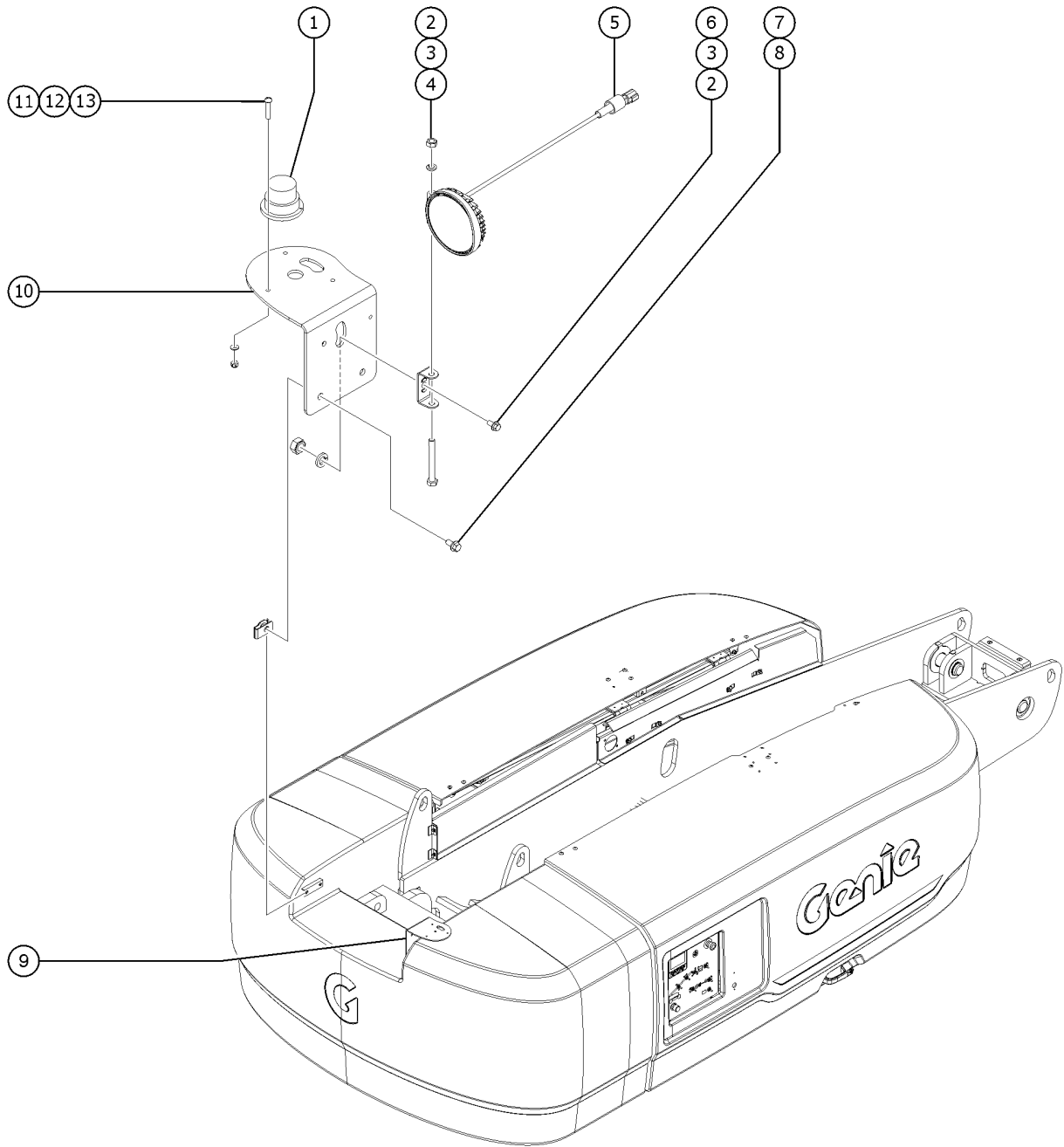


709.1 Oscillating Cylinder

<i>Item</i>	<i>Part No.</i>	<i>Description</i>	<i>Qty.</i>
1	18720GT	BEARING,2.0IDX2.25ODX1.50L	2
2	33428GT	VALVE,COUNTERBALANCE	1
3	1315993GT	CYLINDER, OSCILLATE	1
3-	1316010GT	SEAL KIT (1315993-OSCILLATE CYLINDER)	
4	123893GT	VALVE,CB.CBCG-LJN@3400	1



801.1 Alarm, Beacon Package and Driving Lights

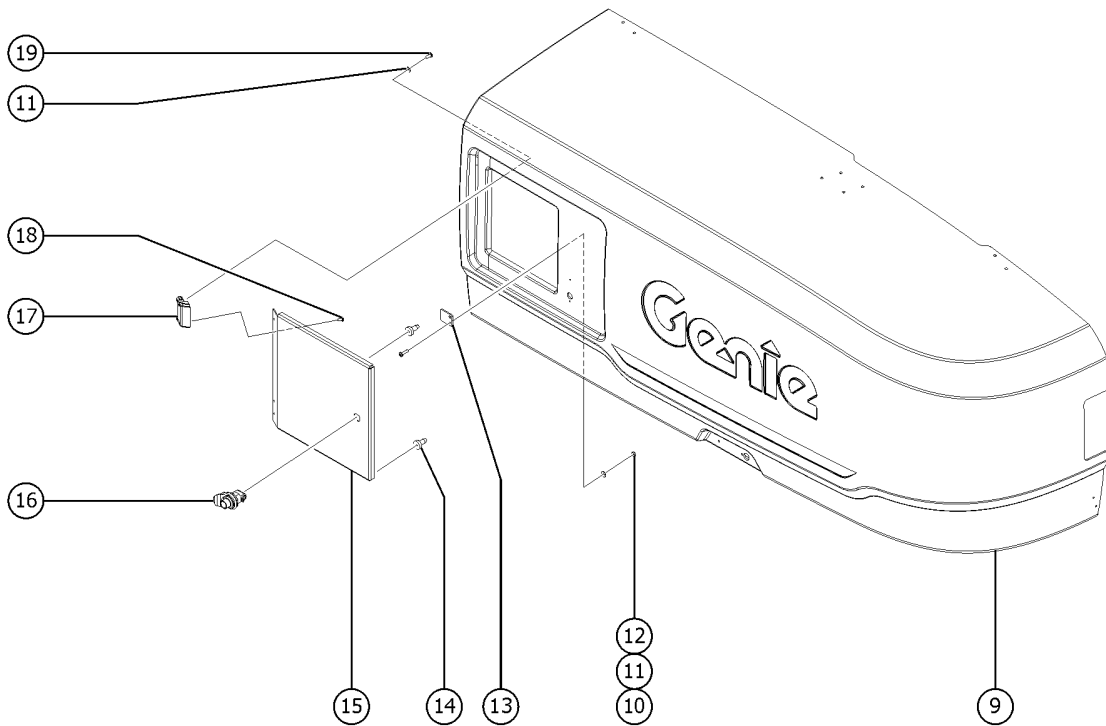
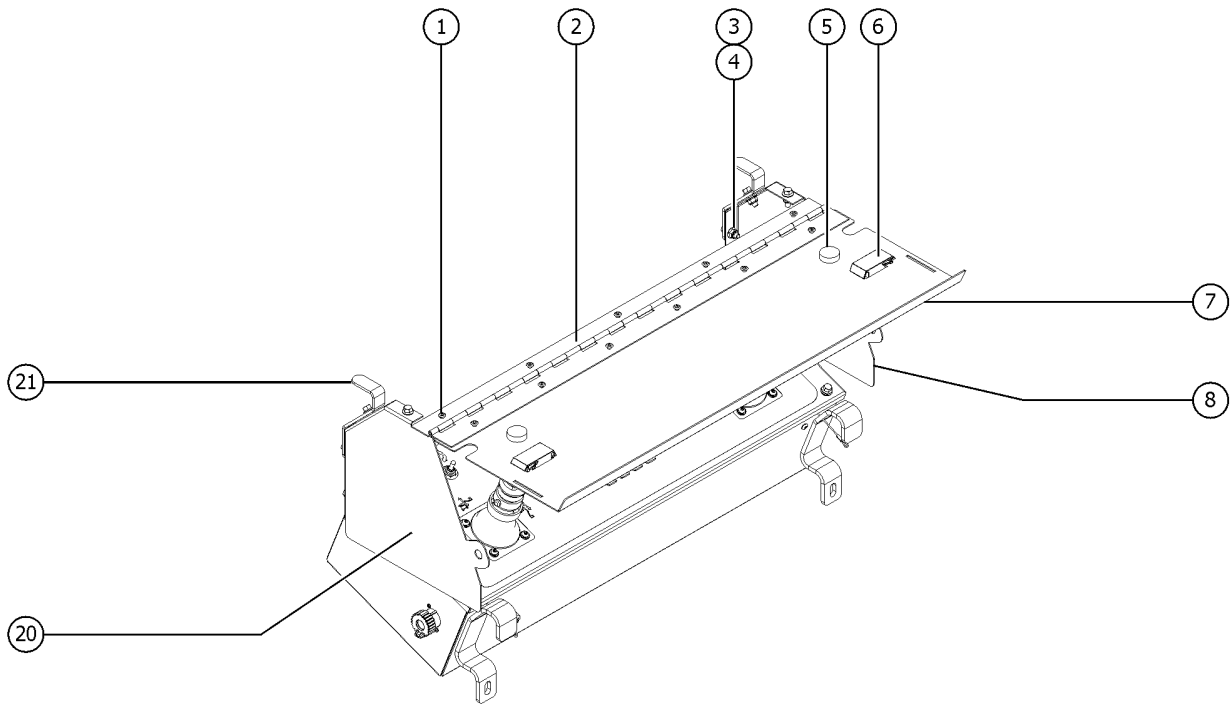


801.1 Alarm, Beacon Package and Driving Lights

<i>Item</i>	<i>Part No.</i>	<i>Description</i>	<i>Qty.</i>
1	1307061GT	STROBE,FIREBOLT,10-100VDC,AMB**	2
2	22571GT	NUT,HEX,M8 X 1.25	2
3	49408GT	WASHER,LOCK,M8	4
4	75185GT	SCREW,HHC,M8X1.25X 70MM,GR8.8	2
5	823520GT	ASSY, DRIVE LIGHT, 12V LED	2
6	49379GT	SCREW,HHC,M8 X 1.25 X 25	1
7	824090GT	SCREW,HHF,3/8-16X1,8,ZAG	16
8	29868GT	SPRING CLIP,3/8-16,.05-.20X.73,ZAG	4
9	1253795GT	FORMING, LIGHT/BEACON BRKT,RH right side	1
10	1253796GT	FORMING, LIGHT/BEACON BRKT,LH left side	1
11	825352GT	SCREW,PHPM,10-32X1.25,ZAG	6
12	1253185GT	WASHER,FLAT,#10,USS,ZAG	6
13	1283005GT	NUT,NYLOCK FLG,10-32,A,ZAG	6



802.1 Hostile Environment Package - Ground and Platform Control Box Covers



802.1 Hostile Environment Package - Ground and Platform Control Box Covers

Item	Part No.	Description	Qty.
1	54486GT	RIVET,ALUM,ALUM,3/16BUTTONHEAD	11
2	111526GT	HINGE,PLAT CONTROL BOX COVER	1
3	1277924GT	NUT,NYLOCK FLG,1/4-20,F,ZAG	8
4	824078GT	SCREW,HHF,1/4-20X.75,8,ZAG	8
5	43392GT	BUMPER,BATTERY BOX & RAILS	2
6	30468GT	LATCH,SLIDE, FLUSH MOUNT STYLE	2
7	102785GT	CONTROL BOX COVER,LID,PTD	1
8	88606GT	COVER,CONTROL BOX RIGHT SIDE**	1
9		REF. COVER, SWING CHASSIS, TS	1
		(refer to 306.1)	
13	1261001GT	STRIKER, LATCH	1
12	824215GT	SCREW, PHPM, 10-32 X .75, ZAG	2
11	1253185GT	WASHER,FLAT,#10,USS,ZAG	6
10	1256804GT	NUT,10-32,ZAG	2
14	34619GT	BUMPER,RUBBER***	2
15	1284272GT	FORMING,CONTROL BOX COVER,ALC600	1
16	1259583GT	LATCH, PUSH BUTTON	1
17	1259584GT	HINGE, CONSTANT TORQUE	2
18	825349GT	SCREW,PHPM,10-32X.38,ZAG	4
19	1251757GT	SCREW,PHPM,10-32X.50,ZAG	4
20	88607GT	COVER,CONTROL BOX LEFT SIDE***	1
21	102786GT	FORMING,LATCH,CTRL BOX LID PTD	2

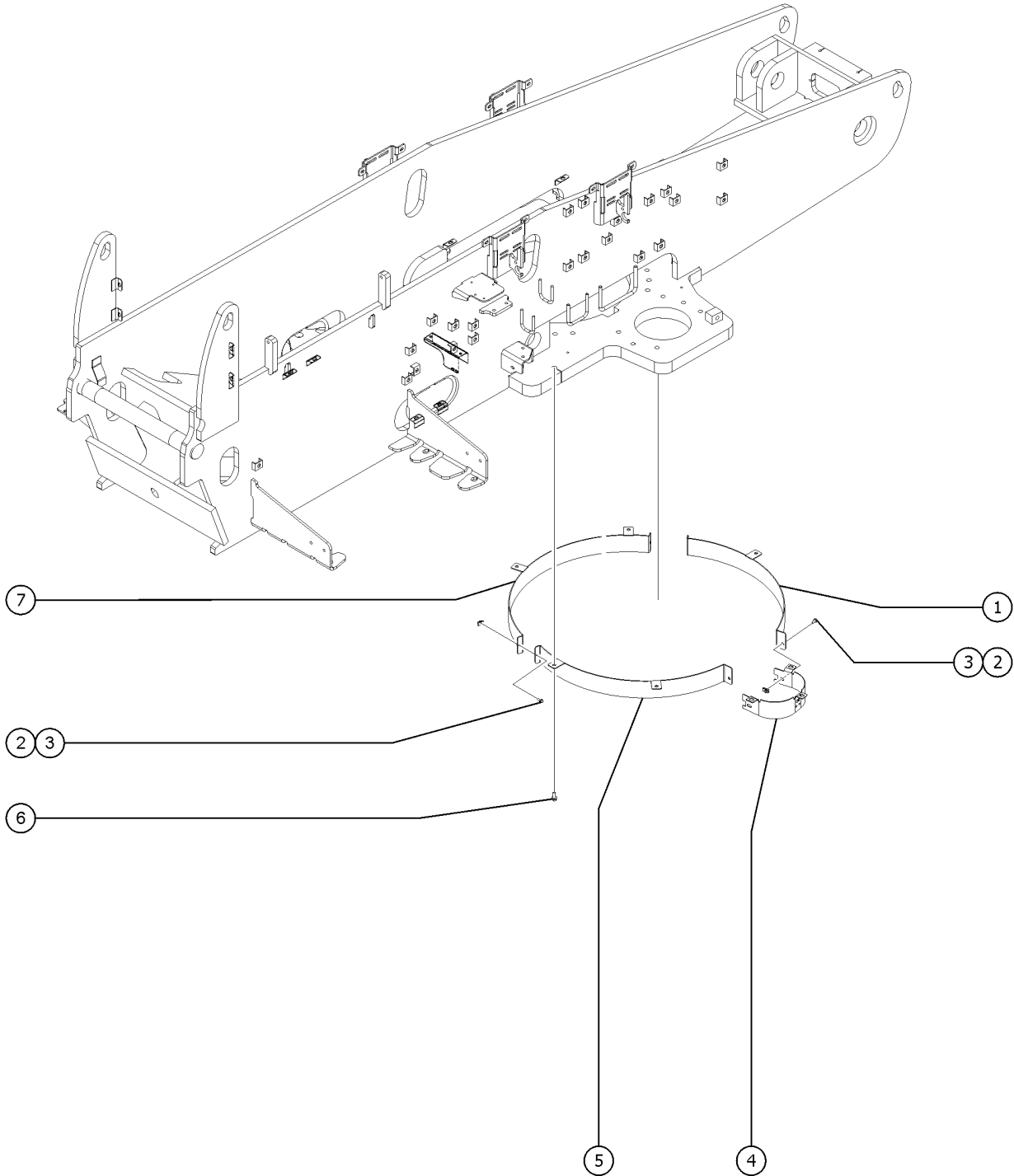


803.1 Hostile Environment Package - Booms

Item	Part No.	Description	Qty.
1		REF. BOOM TUBE 1 (refer to 502.1)	
2	1252978GT	SCREW,HHC,3/8-16X2.25,8,ZAG	2
3	824110GT	WASHER, LOCK, 3/8, ZAG	8
4	101932GT	TUBE, RD., STL., DOM .75 X .437 X .78	8
5	121173GT	SPACER,BOOM WIPER TOP	2
6	824124GT	BOLT, CARRIAGE, 1/4-20 X .75, 5, ZAG	30
7	1277924GT	NUT,NYLOCK FLG,1/4-20,F,ZAG	30
8	1280076GT	FORMING, BRKT, WIPER 1 TO 2, S-80/85 XC	2
9	1280072GT	WIPER, RUBBER S-80/85 XC SEC #1, TOP	1
10	1280073GT	WIPER, RUBBER S-80/85 XC SEC #1, BOT	1
11	121167GT	PLATE,WIPER BACKING,BOOM #1	2
12	824069GT	SCREW, HHC, 3/8-16 X 2.5, 8, ZAG	2
13	1280075GT	WIPER, RUBBER S-80/85 XC SEC #2, BOT	1
14	121170GT	PLATE,BACKING WIPER 2 TO 3	2
15	1280074GT	WIPER, RUBBER S-80/85 XC SEC #2, TOP	1
16	1280077GT	FORMING, BRKT, WIPER 2 TO 3, S-80/85 XC	2
17		REF. BOOM TUBE 3 (refer to 504.1)	
18	1274869GT	FORMING, DEBRIS COVER, SEC #3	1
19	824078GT	SCREW,HHF,1/4-20X.75,8,ZAG	4
20	56912GT	SPRING CLIP,1/4-20,.025-.15X.54,ZAG	4
21	1256108GT	SCREW,HHC,3/8-16X2,8,ZAG	4
22		REF.. BOOM TUBE 2 (refer to 503.1)	
23	230995GT	COVER,HSE & CBL DLX HOSTILE	



804.1 Hostile Environment Package - Turntable

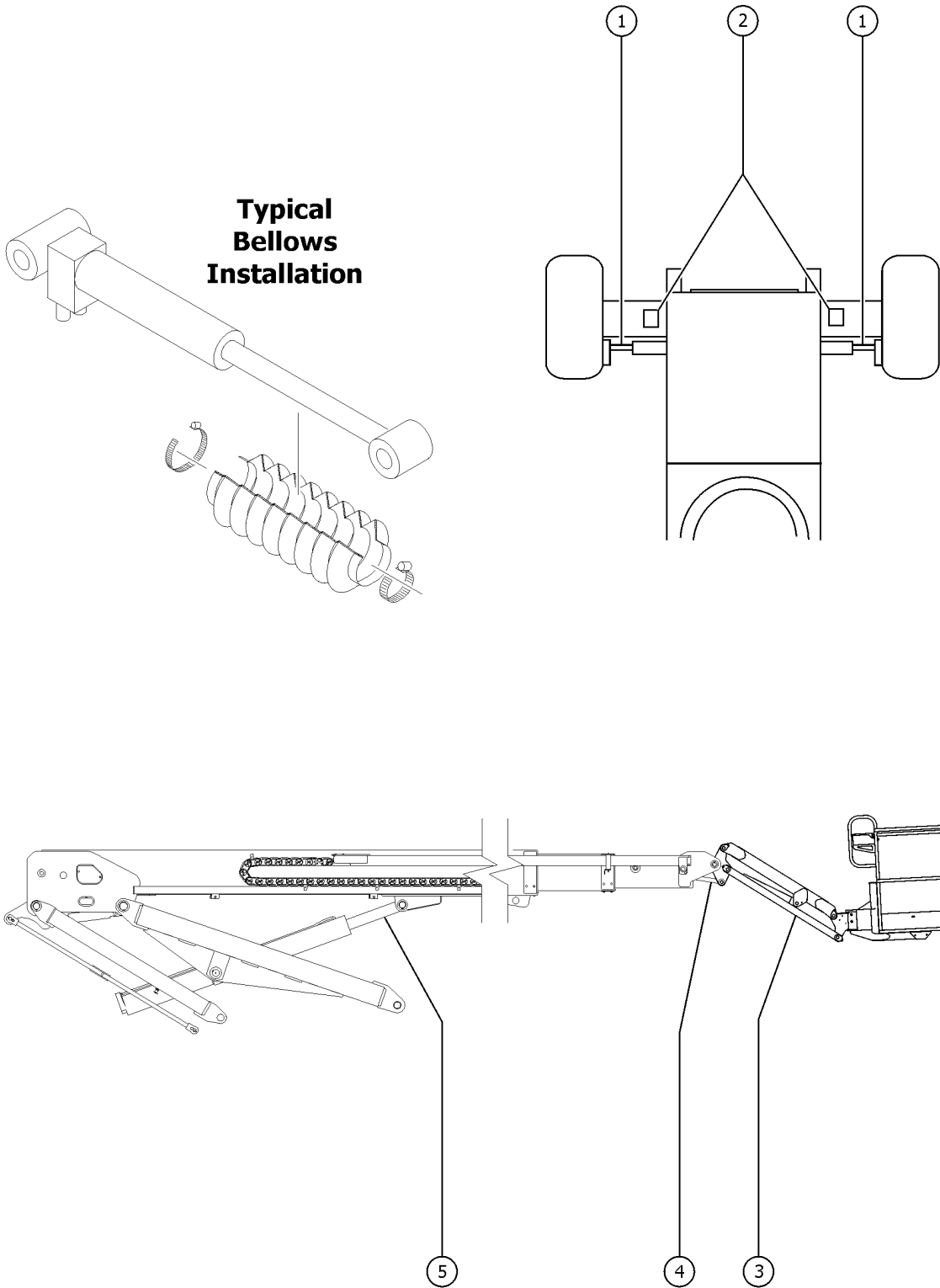


804.1 Hostile Environment Package - Turntable

<i>Item</i>	<i>Part No.</i>	<i>Description</i>	<i>Qty.</i>
1	1325826GT	WELDMENT, RING GEAR, REAR	1
2	824078GT	SCREW,HHF,1/4-20X.75,8,ZAG	4
3	56912GT	SPRING CLIP,1/4-20,.025-.15X.54,ZAG	4
4		Ref. FORMING, ROTATION GEAR COVER	1
		refer to 304.1	
5	1325825GT	WELDMENT, RING GEAR, FRONT	1
6	824090GT	SCREW,HHF,3/8-16X1,8,ZAG	9
7	1325827GT	WELDMENT, RING GEAR, SIDE	1



805.1 Hostile Environment Package - Cylinder Bellows

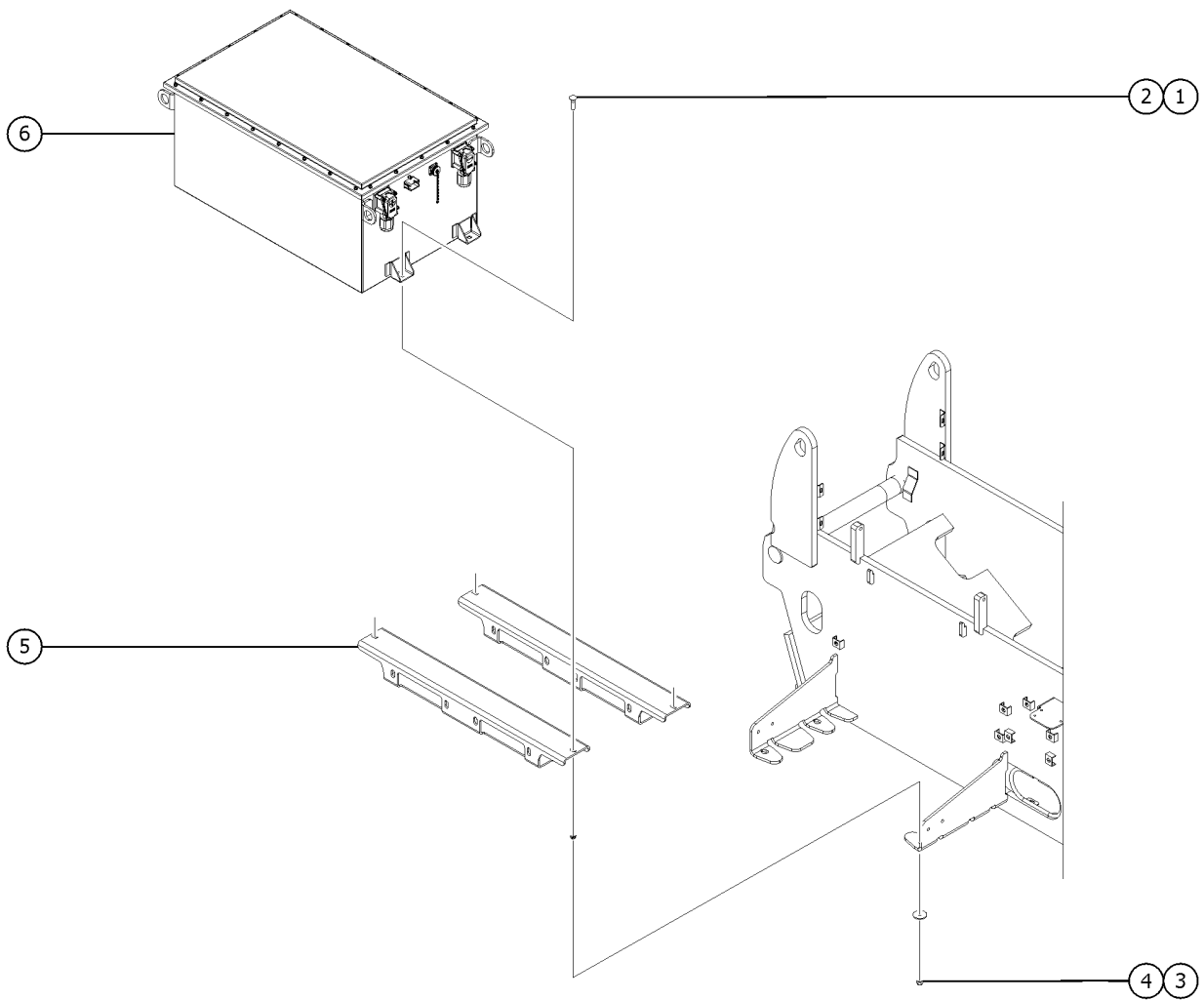


805.1 Hostile Environment Package - Cylinder Bellows

Item	Part No.	Description	Qty.
1	34922GT	COVER,PROTECTIVE,STEERING	2
1-	22672GT	CLAMP,HOSE,1.75	2
1-	30489GT	CLAMP,HOSE,3.50	2
2	1326403GT	COVER, CYLINDER, OSC	2
2-	1326402GT	CAP, HALF, OSC	4
2-	35432GT	CLAMP,HOSE,6.50	2
3	1279801GT	BELLOWS, JIB CYLINDER	1
3-	34955GT	CLAMP, HOSE, 5.00	1
3-	35434GT	CLAMP,HOSE,2.00***	1
4	1279802GT	BELLOWS, PLATFORM LEVEL CYLINDER	1
4-	1280080GT	PLATE, BACKING BELLOWS, S-80/85 XC	1
4-	1271757GT	SCREW,PHPM,10-32X.50,ZAG	5
4-	30971GT	CLAMP,HOSE,3.00"	1
4-	1274869GT	FORMING, DEBRIS COVER, SEC #3	1
4-	824078GT	SCREW,HHF,1/4-20X.75,8,ZAG	4
4-	56912GT	SPRING CLIP,1/4-20,.025-.15X.54,ZAG	4
5	1325486GT	BELLOWS, LIFT CYLINDER	1
5-	31523GT	CLAMP,HOSE,8.50 DIA***	1
5-	35432GT	CLAMP,HOSE,6.50	1



806.1 Lithium Battery Option (285AH)

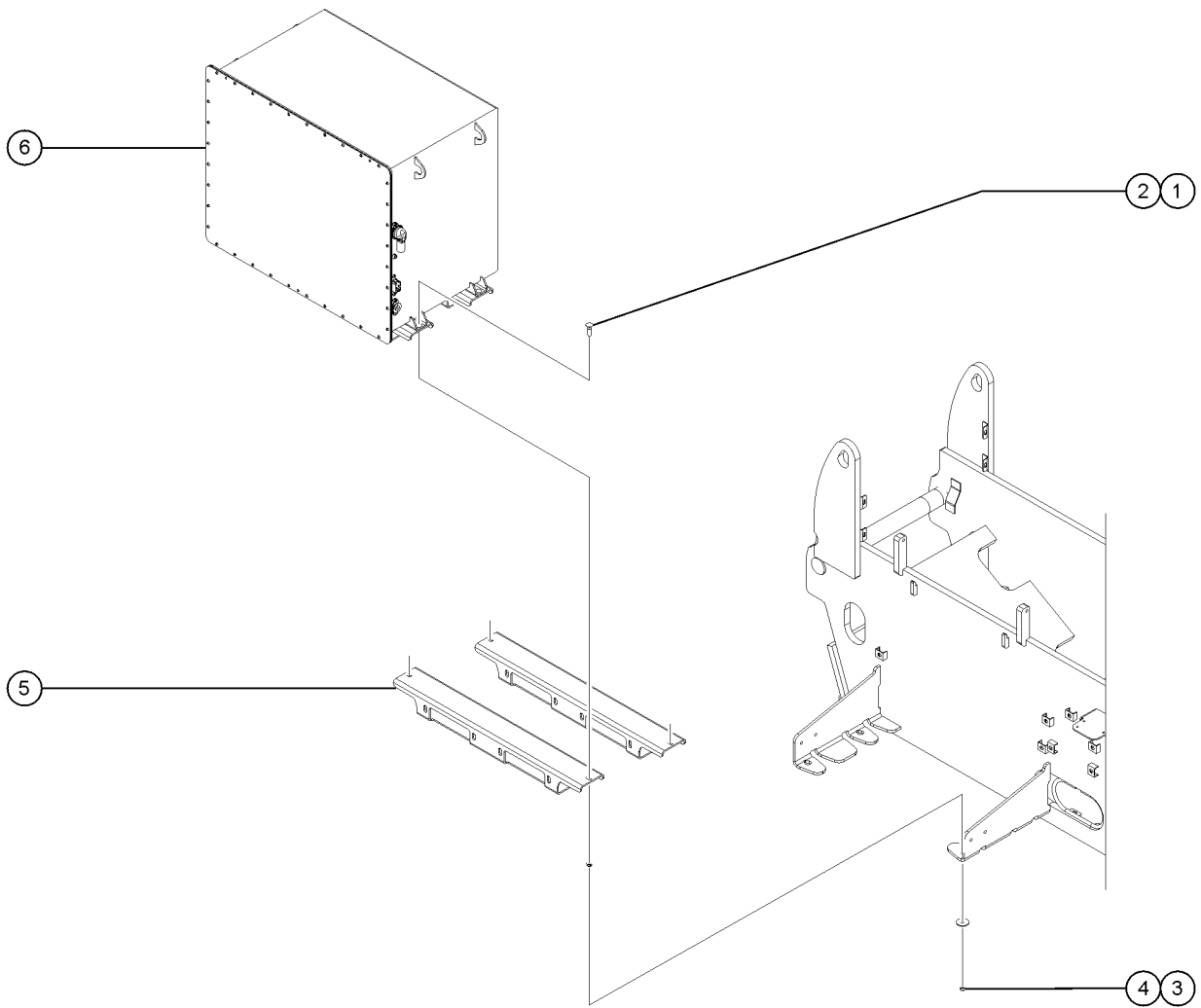


806.1 Lithium Battery Option (285AH)

<i>Item</i>	<i>Part No.</i>	<i>Description</i>	<i>Qty.</i>
1	1256756GT	BOLT,CARRIAGE,3/8-16X1.5,5,ZAG	4
2	1283028GT	NUT,LP NYLOCK,3/8-16,2,ZAG	4
3	1274166GT	NUT,NYLOCK,3/8-16,C,ZAG	4
4	1268468GT	WASHER,FLAT,.406X1.50X.125,ZAG	4
5	1322816GT	TUBE, SUPPORT, BATTERY	2
6	1324027GT	BATTERY, LITHIUM LFP, 48V, 285Ah	1



807.1 Lithium Battery Option (450AH)

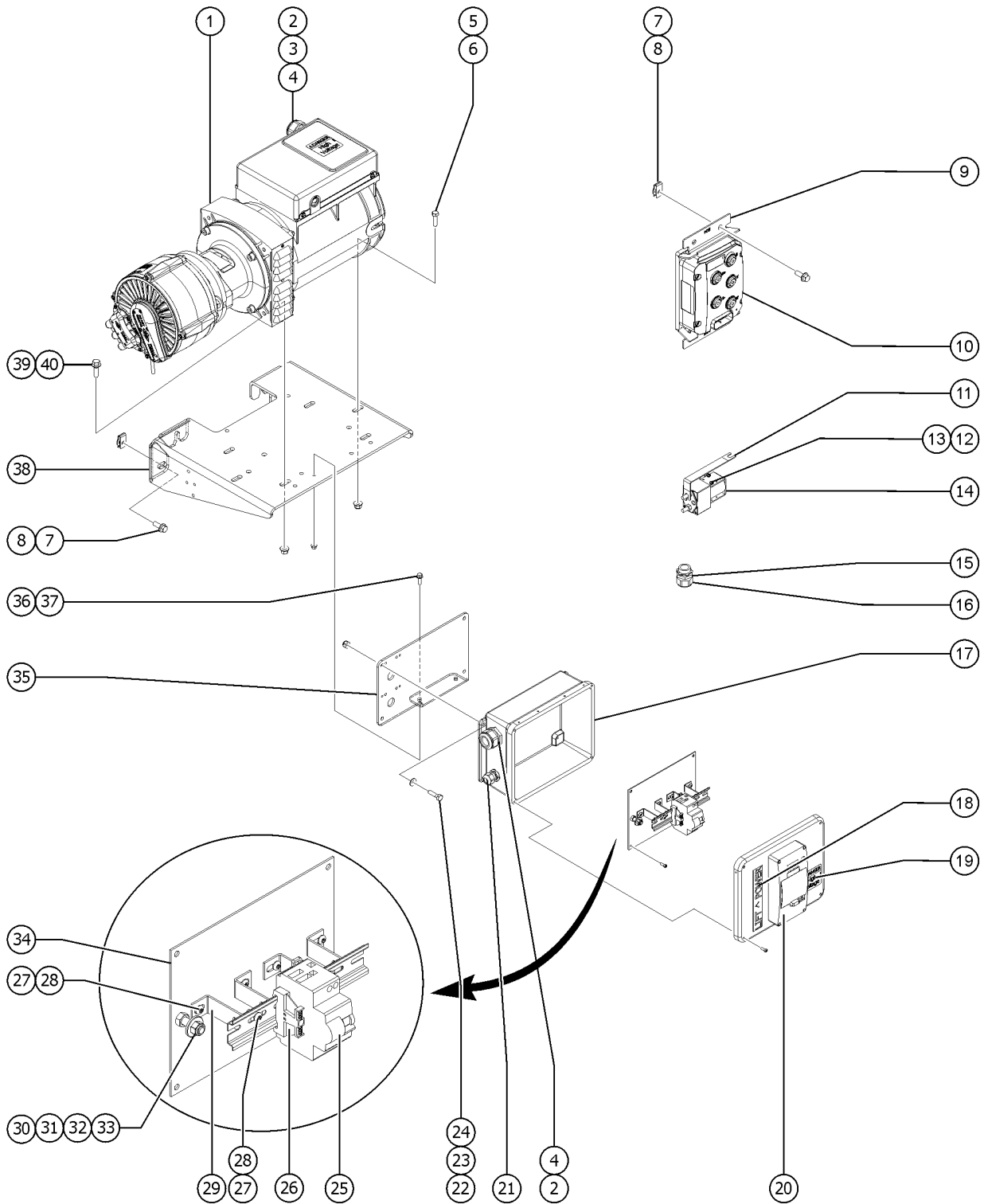


807.1 Lithium Battery Option (450AH)

<i>Item</i>	<i>Part No.</i>	<i>Description</i>	<i>Qty.</i>
1	1256756GT	BOLT,CARRIAGE,3/8-16X1.5,5,ZAG	4
2	1283028GT	NUT,LP NYLOCK,3/8-16,2,ZAG	4
3	1274166GT	NUT,NYLOCK,3/8-16,C,ZAG	4
4	1268468GT	WASHER,FLAT,.406X1.50X.125,ZAG	4
5	1322816GT	TUBE, SUPPORT, BATTERY	2
6	1324028GT	BATTERY, LITHIUM LFP, 48V, 450AH	1



808.1 Welder Option, Chassis Components - 7.5KW Generator View 1

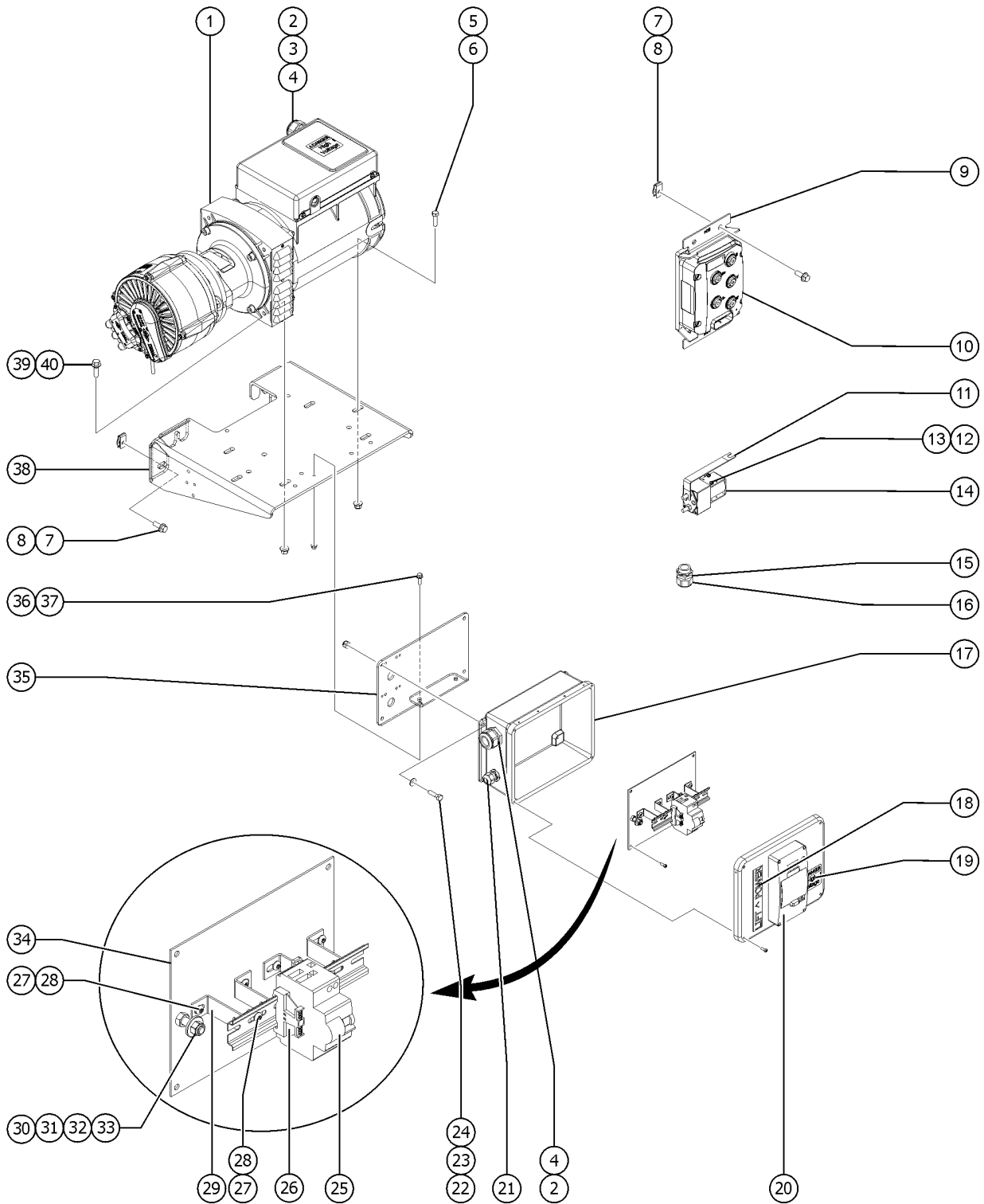


808.1 Welder Option, Chassis Components - 7.5KW Generator View 1

Item	Part No.	Description	Qty.
1	1330261GT	LIFT POWER, 7.5KW 50HZ, 1PH 230V, WITH MOTOR	1
2	20776GT	CABLE SQUEEZE CONN.	2
3	106104GT	O-RING,SEAL RING,1" NPT	1
4	18665GT	LOCKNUT,ELECTRIC,1" NPT	2
5	1255538GT	SCREW,HHC,M8-1.25X30,DIN933,10.9,ZAB	1
6	1283014GT	NUT,NYLOCK FLG,M8-1.25,DIN6926,10,ZAB	1
7	29868GT	SPRING CLIP,3/8-16,.05-.20X.73,ZAG	8
8	824090GT	SCREW,HHF,3/8-16X1,8,ZAG	8
9	1320809GT	FORMING, BRACKET, CONTROLLER F6-A	2
10	1318940GT	MOTOR CONTROLLER, AC, 48V, 550A	1
11	1326751GT	COPPER BAR,CONTACTOR BOX,LIFT POWER	1
12	1335529GT	SCREW, PHILLIPS, PHM,10-32 X .38, SSTL	2
13	1335058GT	WASHER, LOCK, #10 SSTL	2
14	1303592GT	CONTACTOR, 24V,180A,SPST,BRANDED	1
15	680250GT	LOCKNUT, CONDUIT 3/4CSA APPVD	1
16	80341GT	CONNECTOR, SQZ, 3/4 NPT, BLACK	1
17	1289554GT	BOX, AUS JBOX, CIRCUIT BREAKER	1
18	1332241GT	DECAL, COSMETIC, LIFT POWER, GENERATOR, 192 X 27 MM	1
19	82237GT	DECAL,DANGER,HIGH VOLTAGE	1
20	1258687GT	MOUNTING COVER KIT WITH NEON	1
20-	12344GT	NUT,NYLOCK,6-32	6
21	1287081GT	CORD GRIP, CLICK 20, BLACK, 0.276-0.512	1
22	824060GT	SCREW, HHC, 1/4-20 X 1, 8, ZAG	4
23	824113GT	WASHER,FLAT,USS,1/4,ZAG	4
24	1277924GT	NUT,NYLOCK FLG,1/4-20,F,ZAG	4
25	1258674GT	RCBO, 16A/30MA TRIP, 1P	1
26	74913GT	END STOP, DIN RAIL,SCREW CLAMP	2
27	54365GT	SCREW,PHIL,PHM,10-32 X .5,SSTL	6



808.1 Welder Option, Chassis Components - 7.5KW Generator View 1

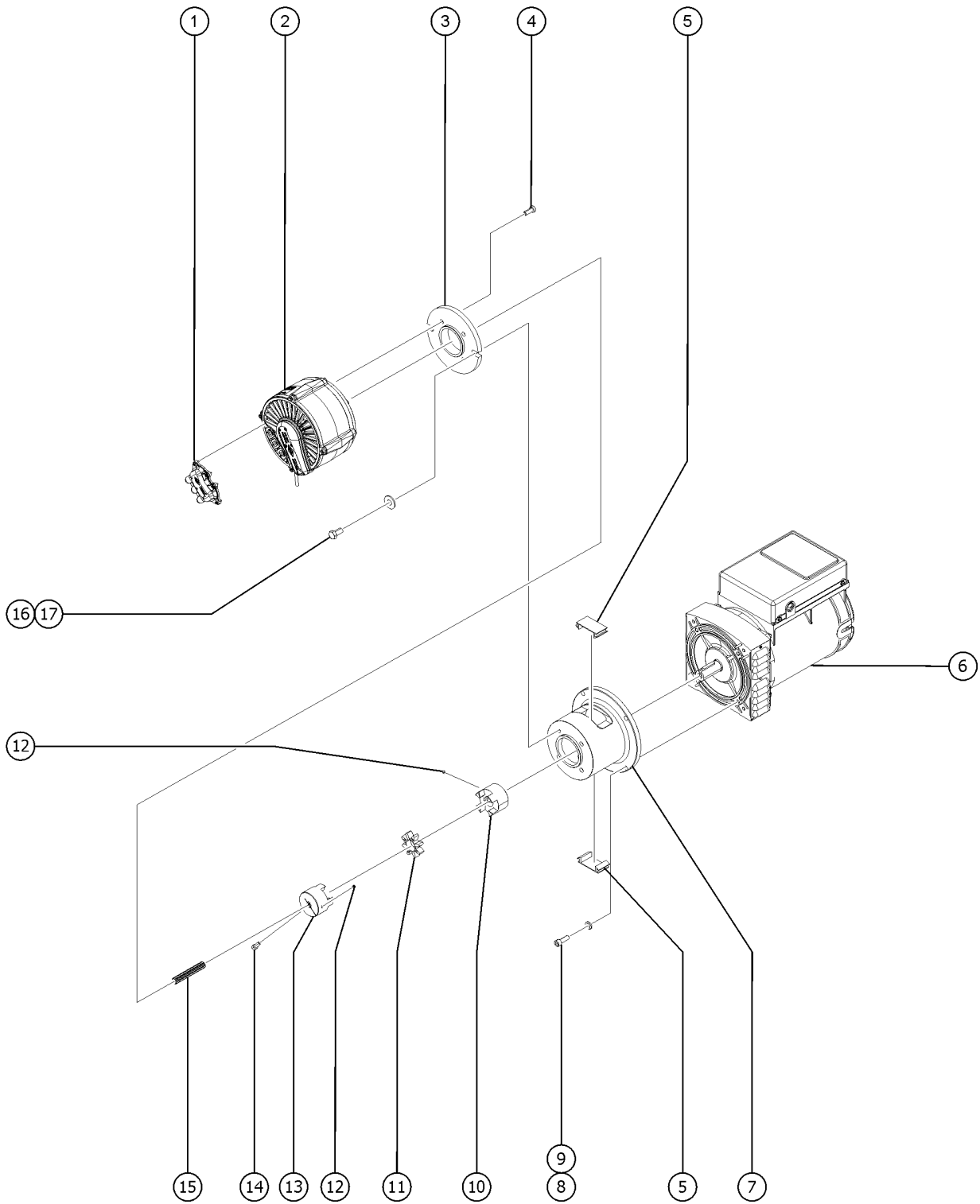


808.1 Welder Option, Chassis Components - 7.5KW Generator View 1

<i>Item</i>	<i>Part No.</i>	<i>Description</i>	<i>Qty.</i>
28	6178GT	NUT, NYLOCK, 10-32, SS	6
29	1258689GT	BRACKET,DIN RAIL SUPPORT	2
30	6782GT	NUT, NYLOCK, 5/16-18	1
31	5397GT	WASHER,FLAT,5/16,USS,ZAG	1
32	1261250GT	NUT,5/16-18,8,ZAG	1
33	13000GT	SCREW,HHC,5/16-18X1.375,8,ZAG	1
34	1258688GT	PANEL,AUSSY ENCLOSURE BACK	1
35	1330693GT	FORMING, CONTROL BOX MT, WELD GEN	1
36	824086GT	SCREW, HHF, 5/16-18 X 1, 8, ZAG	2
37	1274167GT	NUT,NYLOCK FLG,5/16-18,F,ZAG	2
38	1268186GT	BRACKET, GENERATOR 12 KW	1
39	824091GT	SCREW, HHF, 3/8-16 X 1.25, 8, ZAG	2
40	1274322GT	NUT,NYLOCK FLG,3/8-16,F,ZAG	2



809.1 Welder Option, Chassis Components - 7.5KW Generator View 2

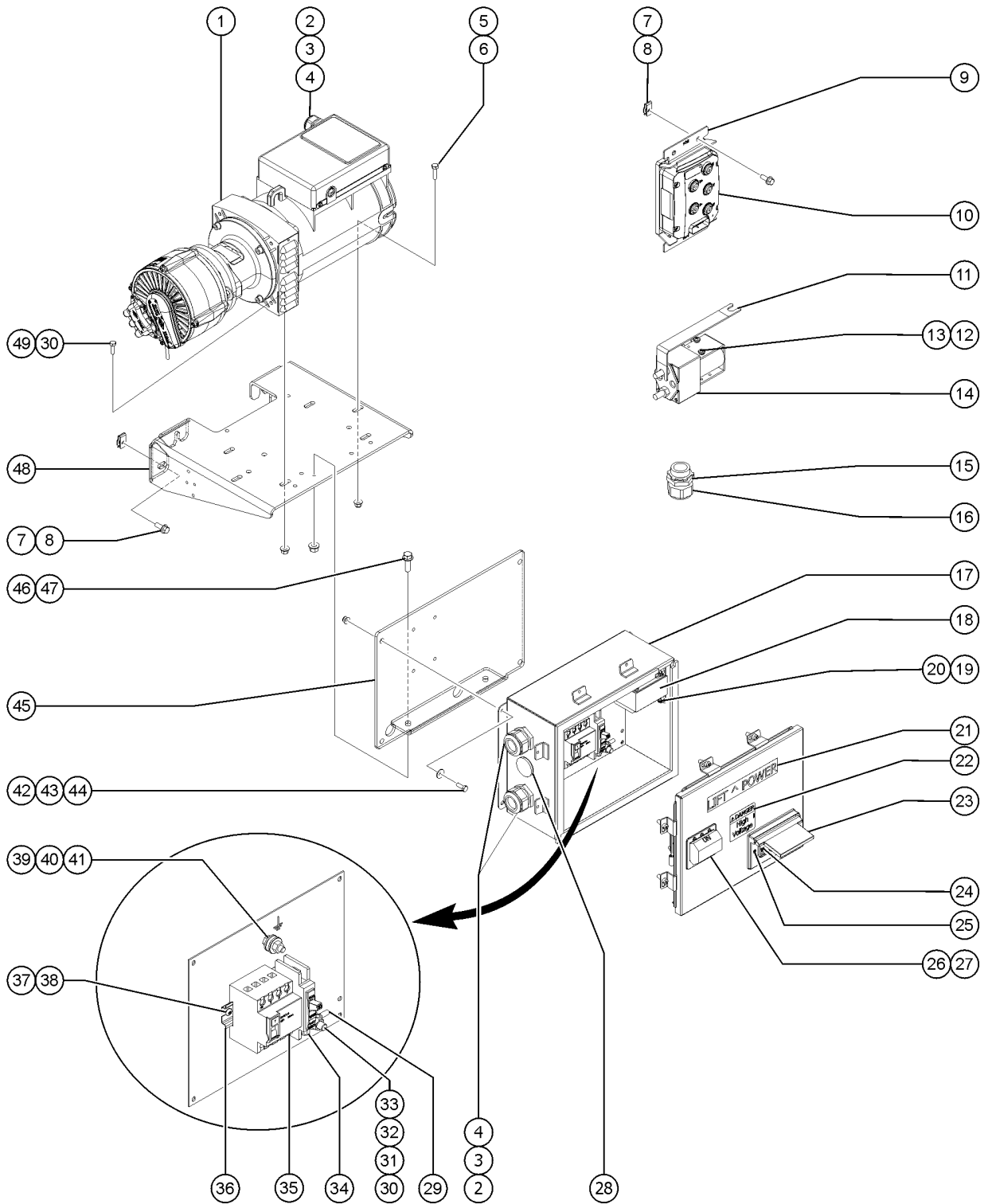


809.1 Welder Option, Chassis Components - 7.5KW Generator View 2

<i>Item</i>	<i>Part No.</i>	<i>Description</i>	<i>Qty.</i>
1	1331660GT	TERMINAL COVER, MOTOR,48V,AC,MK1.75	1
2	1323406GT	MOTOR,48V,AC,200-50 MK 1.75,SAE A, Z=9	1
3	1325927GT	PLATE, ADAPTER, LIFT POWER	1
4	1320847GT	LOW SOCKET HEAD SCREW, LIFT POWER	4
5	1320839GT	MOUNT COVERS, LIFT POWER	2
6	1330263GT	ALTERNATOR, LIFT POWER, 7.5KW	1
7	1337213GT	MOTOR MOUNT, LIFT POWER	1
8	1320838GT	SCREW,SHCS,M10X1.5X30	4
9	1320841GT	LOCKWASHER,LIFT POWER	4
10	1320693GT	DRIVE COUPLING, LIFT POWER	1
11	1320694GT	COUPLING INSERT, LIFT POWER	1
12	1320695GT	SET SCREW,LIFT POWER	2
13	1320691GT	DRIVE COUPLING, LIFT POWER	1
14	1330453GT	SCREW, SHCS, M8X1.25-25	1
15	1320842GT	SPLINE SHAFT, SAE A 9 TOOTH X 4.00"	1
16	1321338GT	SCREW, HEX, .5X13X1	2
17	1255760GT	WASHER,FLAT,1/2,USS,ZAG	2



810.1 Welder Option, Chassis Components - 12KW Generator View 1

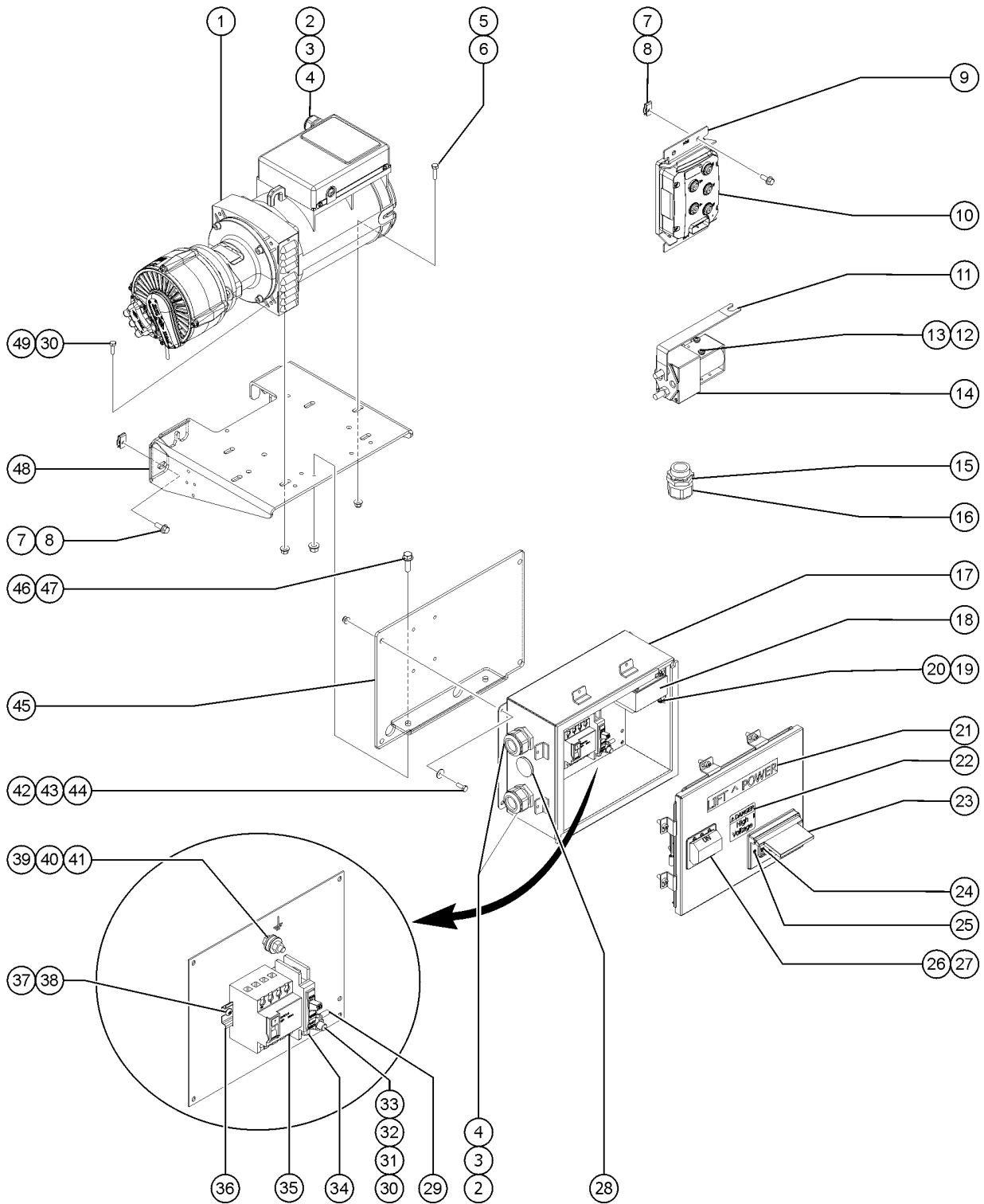


810.1 Welder Option, Chassis Components - 12KW Generator View 1

Item	Part No.	Description	Qty.
1	1328931GT	LIFT POWER,13KW 60HZ,240V,WITH MOTOR	1
2	20776GT	CABLE SQUEEZE CONN.	3
3	18665GT	LOCKNUT,ELECTRIC,1" NPT	3
4	106104GT	O-RING,SEAL RING,1" NPT	3
5	1255538GT	SCREW,HHC,M8-1.25X30,DIN933,10.9,ZAB	1
6	1283014GT	NUT,NYLOCK FLG,M8-1.25,DIN6926,10,ZAB	1
7	29868GT	SPRING CLIP,3/8-16,.05-.20X.73,ZAG	8
8	824090GT	SCREW,HHF,3/8-16X1,8,ZAG	8
9	1320809GT	FORMING, BRACKET, CONTROLLER F6-A	2
10	1318940GT	MOTOR CONTROLLER, AC, 48V, 550A	1
11	1326751GT	COPPER BAR,CONTACTOR BOX,LIFT POWER	1
12	1335529GT	SCREW, PHILLIPS, PHM,10-32 X .38, SSTL	2
13	1335058GT	WASHER, LOCK, #10 SSTL	2
14	1303592GT	CONTACTOR, 24V,180A,SPST,BRANDED	1
15	680250GT	LOCKNUT, CONDUIT 3/4CSA APPVD	1
16	80341GT	CONNECTOR, SQZ, 3/4 NPT, BLACK	1
17	1283843GT	ENCLOSURE, JBOX, 12X10	1
18	1282963GT	TRANSFORMER, 139 TO 120 VOLT	1
19	1274170GT	NUT, NYLOCK, 10-24, A, ZAG	4
20	1270665GT	SCREW,HHF,10-24X.625,5,ZAG	4
21	1332241GT	DECAL, COSMETIC, LIFT POWER, GENERATOR, 192 X 27 MM	1
22	82237GT	DECAL,DANGER,HIGH VOLTAGE	1
23	74006GT	COVER,GFCI,HORIZONTAL,WEATHER	1
24	80543GT	RECEPTACLE, 120VAC, 20A, GFCI	1
25	63375GT	SCREW,FHPM,6-32 X .75,ZAG	2
26	1276672GT	BOOT, ENVIRO, 3PH CIRCUIT BREAKER	1
27	1276986GT	CIRCUIT BREAKER,MAGTRIP,3PH,40A	1
28	106495GT	PLUG,1/2" HUBBLE	1



810.1 Welder Option, Chassis Components - 12KW Generator View 1

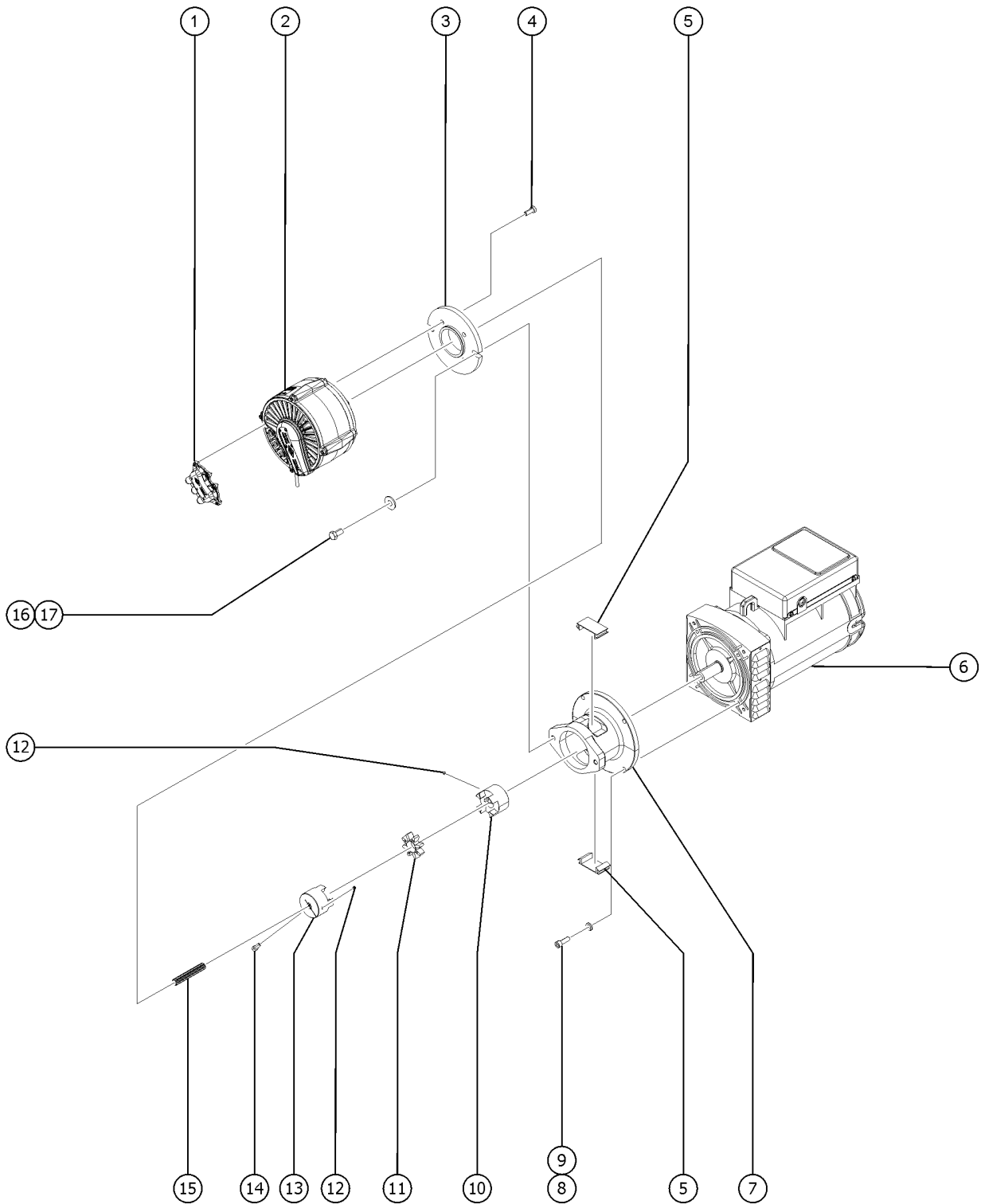


810.1 Welder Option, Chassis Components - 12KW Generator View 1

Item	Part No.	Description	Qty.
29	23221GT	TERMINAL,#3/8 RING LARGE,BLUE	1
30	1274322GT	NUT,NYLOCK FLG,3/8-16,F,ZAG	3
31	94982GT	STANDOFF, 3/8" BLACK	1
32	1257227GT	SCREW,PHPM,10-32X.625,ZAG	2
33	1283005GT	NUT,NYLOCK FLG,10-32,A,ZAG	2
34	106073GT	CIRCUIT BREAKER,20A,SINGLE PH	1
35	824617GT	CIRCUIT BREAKER,GFCI,3PH,63A,30mA TRIP	1
36	825737GT	DIN RAIL,4.60"	1
37	54365GT	SCREW,PHIL,PHM,10-32 X .5,SSTL	2
38	6178GT	NUT, NYLOCK, 10-32, SS	3
39	13000GT	SCREW,HHC,5/16-18X1.375,8,ZAG	1
40	1261250GT	NUT,5/16-18,8,ZAG	2
41	5397GT	WASHER,FLAT,5/16,USS,ZAG	2
42	824059GT	SCREW, HHC, 1/4-20 X .75, 8, ZAG	4
43	824113GT	WASHER,FLAT,USS,1/4,ZAG	4
44	1277924GT	NUT,NYLOCK FLG,1/4-20,F,ZAG	4
45	1283841GT	FORMING, MOUNT, JBOX 12X10	1
46	824086GT	SCREW, HHF, 5/16-18 X 1, 8, ZAG	2
47	1274167GT	NUT,NYLOCK FLG,5/16-18,F,ZAG	2
48	1268186GT	BRACKET, GENERATOR 12 KW	1
49	824091GT	SCREW, HHF, 3/8-16 X 1.25, 8, ZAG	2



811.1 Welder Option, Chassis Components - 12KW Generator View 2

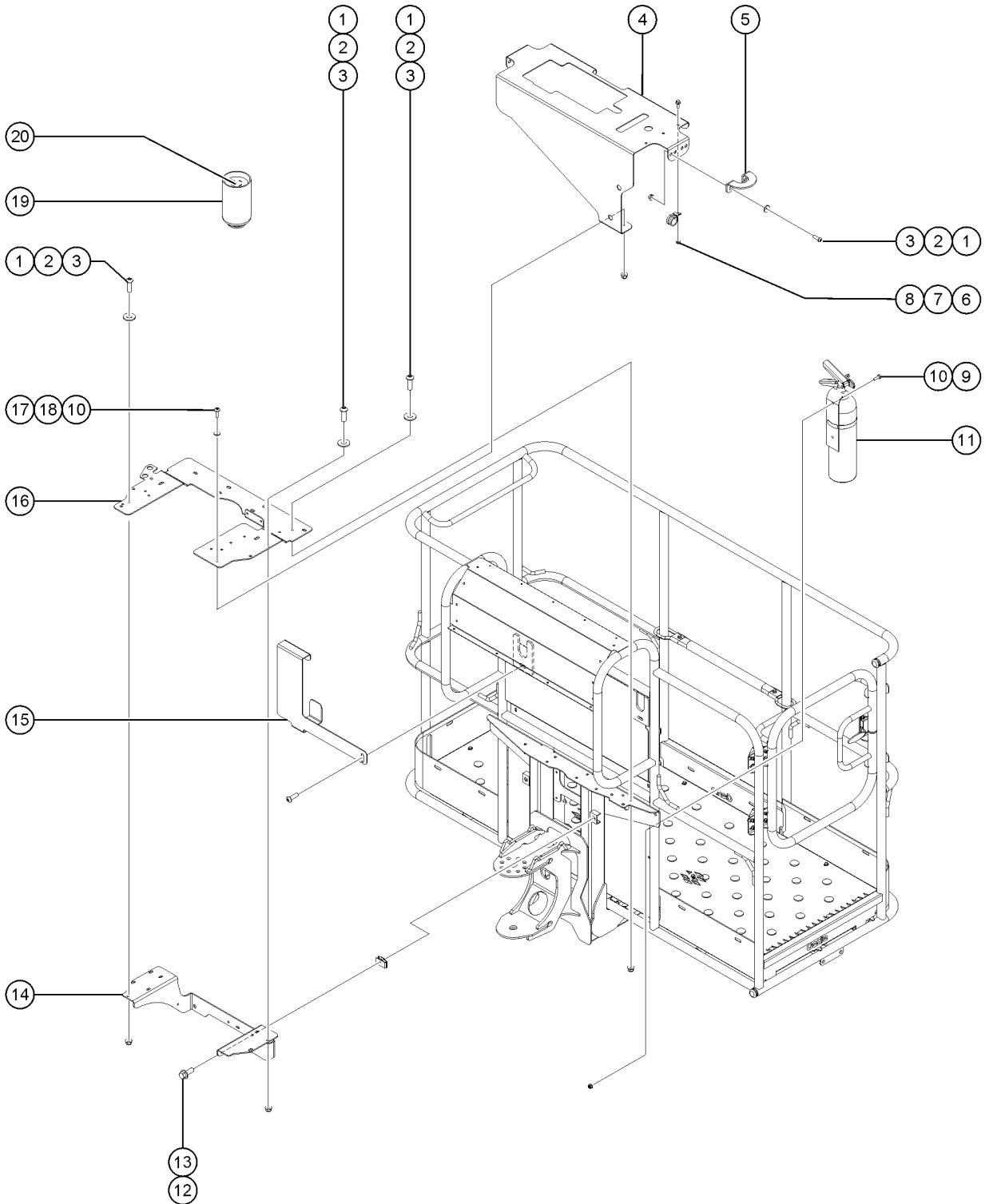


811.1 Welder Option, Chassis Components - 12KW Generator View 2

<i>Item</i>	<i>Part No.</i>	<i>Description</i>	<i>Qty.</i>
1	1331660GT	TERMINAL COVER, MOTOR,48V,AC,MK1.75	1
2	1323406GT	MOTOR,48V,AC,200-50 MK 1.75,SAE A, Z=9	1
3	1325927GT	PLATE, ADAPTER, LIFT POWER	1
4	1320847GT	LOW SOCKET HEAD SCREW, LIFT POWER	4
5	1320839GT	MOUNT COVERS, LIFT POWER	2
6	1320690GT	ALTERNATOR, LIFT POWER, 12KW	1
7	1320202GT	MOTOR MOUNT,LIFT POWER	1
8	1320838GT	SCREW,SHCS,M10X1.5X30	4
9	1320841GT	LOCKWASHER,LIFT POWER	4
10	1320693GT	DRIVE COUPLING, LIFT POWER	1
11	1320694GT	COUPLING INSERT, LIFT POWER	1
12	1320695GT	SET SCREW,LIFT POWER	2
13	1320691GT	DRIVE COUPLING, LIFT POWER	1
14	1330453GT	SCREW, SHCS, M8X1.25-25	1
15	1320842GT	SPLINE SHAFT, SAE A 9 TOOTH X 4.00"	1
16	1321338GT	SCREW, HEX, .5X13X1	2
17	1255760GT	WASHER,FLAT,1/2,USS,ZAG	2



812.1 Lift Power Option, Platform Components

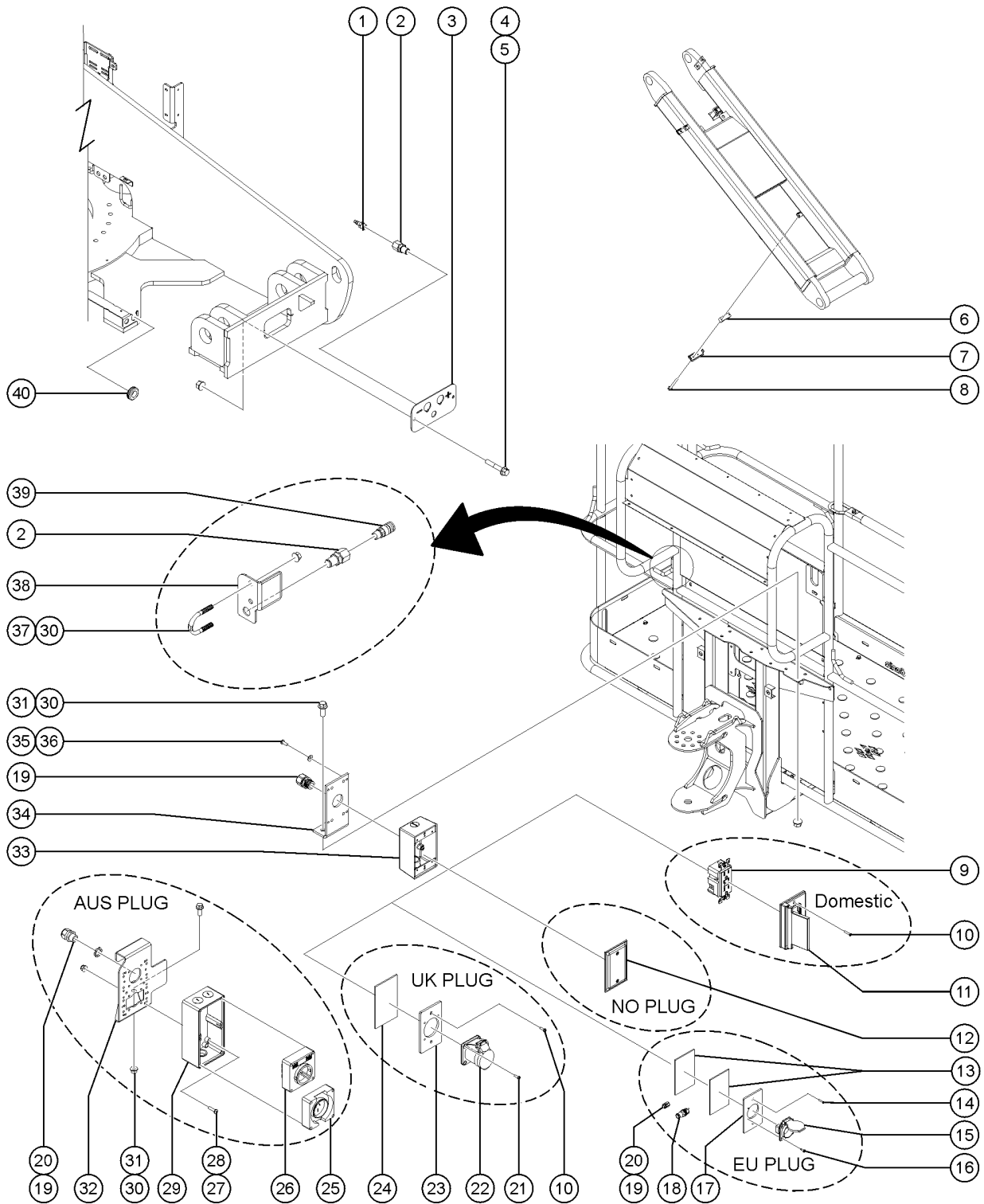


812.1 Lift Power Option, Platform Components

<i>Item</i>	<i>Part No.</i>	<i>Description</i>	<i>Qty.</i>
1	128322GT	SCREW,5/16-18X1.00,SECURITY TO	15
2	825358GT	WASHER,FLAT,5/16,USS,ZAG	30
3	1274167GT	NUT,NYLOCK FLG,5/16-18,F,ZAG	15
4	1277207GT	BRACKET,WELDER COVER,XC	1
5	217366GT	BRACKET,WELDER TOP	2
6	1283026GT	NUT,LP NYLOCK,1/4-20,2,ZAG	2
7	18666GT	CLAMP,1.00,#16 X 1/4,RUB CUSH	2
8	824078GT	SCREW,HHF,1/4-20X.75,8,ZAG	2
9	1262432GT	SCREW,HHC,1/4-20X.875,8,ZAG	2
10	1277924GT	NUT,NYLOCK FLG,1/4-20,F,ZAG	3
11	88406GT	FIRE EXTINGUISHER	1
12	824090GT	SCREW,HHF,3/8-16X1,8,ZAG	2
13	29868GT	SPRING CLIP,3/8-16,.05-.20X.73,ZAG	2
14	1277206GT	FORMING,WELD MNT SPRT,LOWER,XC	1
15	106204GT	BRACKET,V275S WELD LEADS	1
16	1277205GT	FORMING,WELDER SPRT BRKT,XC	1
17	106860GT	SCREW,SECURITY,1/4-20 X 1.00LG	1
18	824113GT	WASHER,FLAT,USS,1/4,ZAG	1
19	214621GT	SOCKET, BOOT, 3P, 30A, 4 WIRE	1
20	214620GT	SOCKET,3P,30A,4 WIRE, FEM	1



813.1 Air Line/Power to Platform

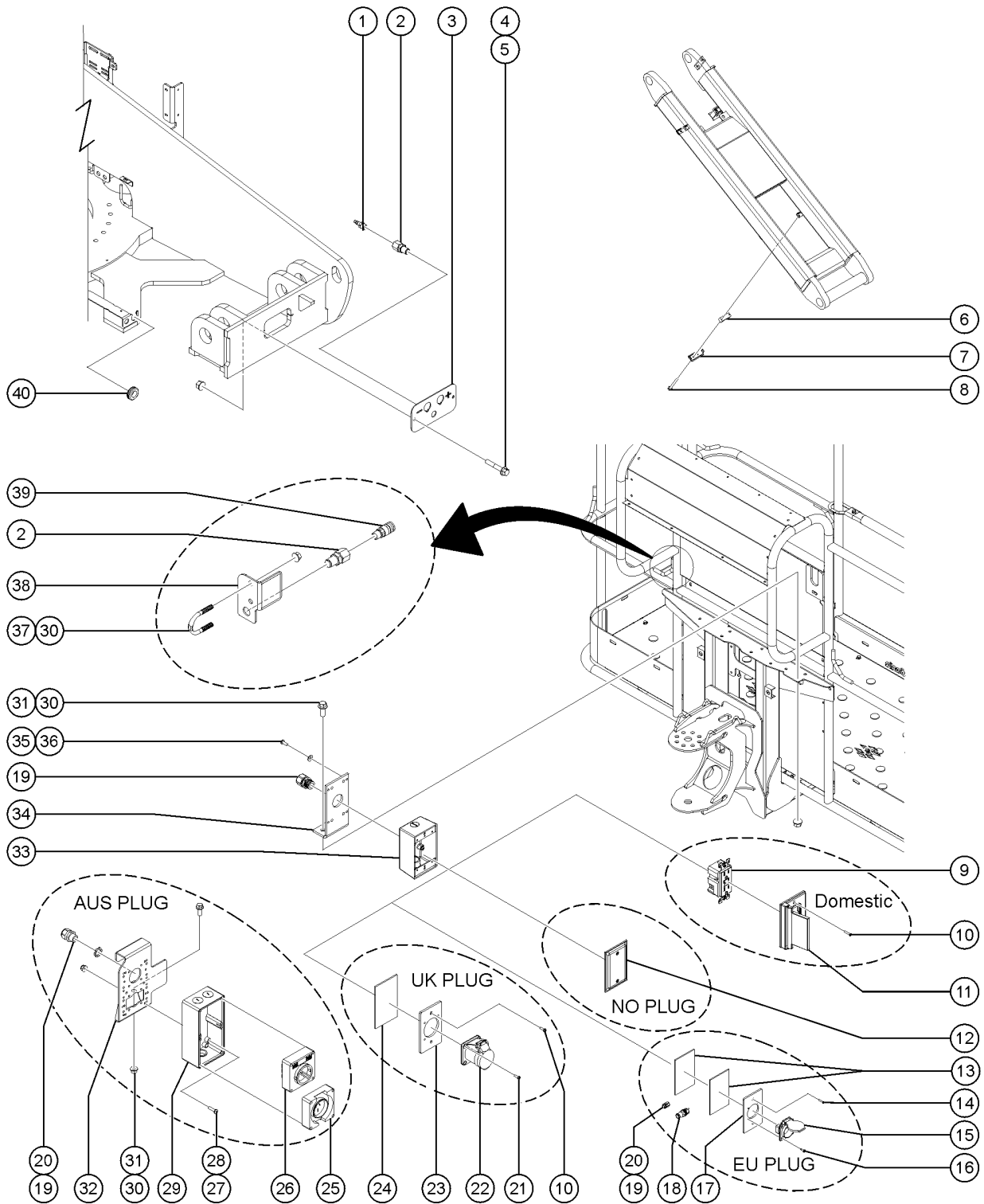


813.1 Air Line/Power to Platform

Item	Part No.	Description	Qty.
A	T109692GT	AIRLINE ASSY, S85	13
B	144161GT	PLUG,PWR,UK,16AMP,3PIN,BLK UK Plug	1
C	1269052GT	SHRINK TUBE, CAP, BLACK, 0.86" No Plug	1
D	7057GT	CONN. SQZ, 1/2NPT .39-.56 MED.	
E	119403GT	CONN,PLUG 120 AC/15A DOMESTIC Domestic	1
F	6935GT	CONN, SQZ, 1/2NPT, LOCKNUT	
G	28174GT	DECAL,POWER TO PLATFORM 230V EU Plug	2
1	49214GT	MALE PIPE THD,1/4" SER,3/8"X18	1
2	49212GT	FEMALE BULKHEAD CONNECTOR-8	2
3	121595GT	PLATE,WELD OPTION	1
4	824081GT	SCREW, HHF, 1/4-20 X 1.5, 8, ZAG	2
5	824027GT	NUT, TL FLG, 1/4-20, G, ZAG	2
6	1327857GT	CLAMP, OPITON, AIR HOSE	2
7		Ref. CLAMP, TOP, SHORT LINK (refer to 506.1)	
8	1256123GT	SCREW,HHC,1/4-20X3.25,8,ZAG	4
9	13585GT	OUTLET, 110V	1
10	1253489GT	FORMING, SENSOR HOLDER	2
11	74006GT	COVER,GFCI,HORIZONTAL,WEATHER	1
12	10777GT	COVER, BLANK	1
13	74052GT	MAGNET, 1/4-20, 15 LB.	2
14	63375GT	SCREW,FHPM,6-32 X .75,ZAG	2
15	66353GT	NUT,1/4-20,8,ZAG	1
16	57075GT	SCREW, PHIL, 8-32 X .50, SELF TAP	4
17	236966GT	PLATE,EURO POWER TO PLATFORM	1
18	6666GT	PLUG, ELECTRICAL, 220/50,NOVON	1
19	7056GT	CONN, SQZ, 1/2NPT, 0.38-0.50,SM	2
20	6935GT	CONN, SQZ, 1/2NPT, LOCKNUT (AUS Plug,EU Plug)	2
21	1257296GT	ASSEMBLY, LIGHT, CONTACT ALARM	8



813.1 Air Line/Power to Platform

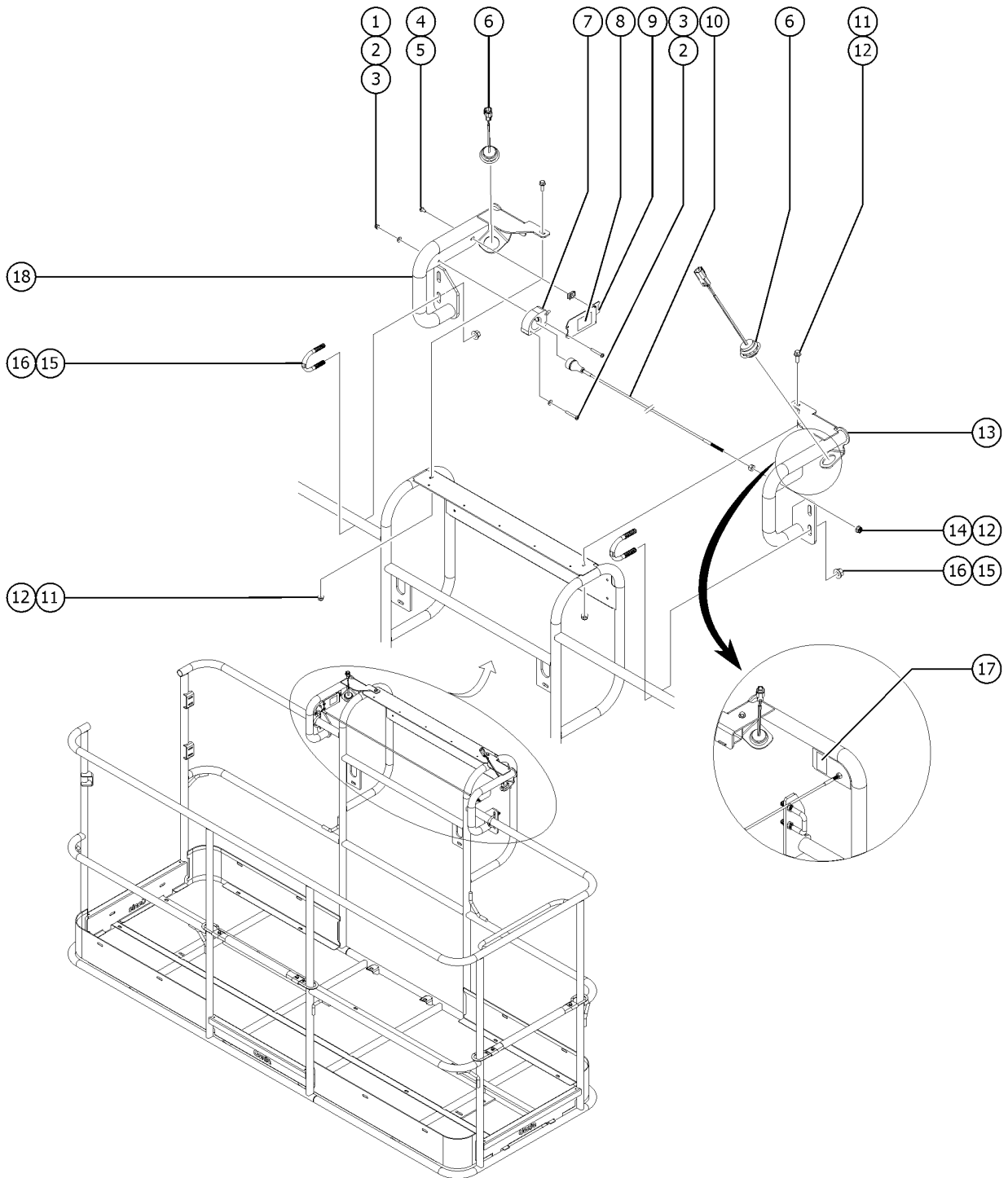


813.1 Air Line/Power to Platform

Item	Part No.	Description	Qty.
22	T112560GT	ASSEMBLY, SENSOR, PROX, CONTACT ALARM	1
23	T112561GT	ASSEMBLY, CONTACT ALARM CABLE, LARGE	1
24	74052GT	MAGNET, 1/4-20, 15 LB.	1
25	1284975GT	SOCKET OUTLET 1P+N+E 250V 15A	1
		(AUS Plug Only)	
26	1284974GT	SWITCH, 7KW, AUS	1
		(AUS Plug Only)	
27	824215GT	SCREW, PHPM, 10-32 X .75, ZAG	4
		(AUS Plug Only)	
28	1283005GT	NUT, NYLOCK FLG, 10-32, A, ZAG	4
		(AUS Plug Only)	
29	1284973GT	T-BOX, AUS, 2 GANG	1
		(AUS Plug Only)	
29-	1284977GT	HARNESS, JUMPER TBOX. AUS	1
		(AUS Plug Only)	
30	1274322GT	NUT, NYLOCK FLG, 3/8-16, F, ZAG	4
31	824090GT	SCREW, HHF, 3/8-16X1, 8, ZAG	2
32	826624GT	FORMING, POWER TO PLAT	1
		(AUS Plug Only)	
33	1310378GT	SPRING CLIP, 10-24, .025-.125X.468, ZAG	1
		(EU Plug)	
33-	13597GT	GRIP, CABLE	2
		(EU Plug)	
33-	55089GT	CONTACT ALARM WIRE ASSY, LARGE	1
		(EU Plug)	
34	1311043GT	NUT, NYLOCK, 6-32	1
		(EU Plug)	
35	1257296GT	ASSEMBLY, LIGHT, CONTACT ALARM	4
36	1257390GT	WASHER, FLAT, #8, SAE, ZAG	4
37	1251600GT	U-BOLT, FLATTENED, 1.5DIA. X 3/8 UNC, ZAG	1
38	1275087GT	FORMING, AIR TO PLAT	1
39	49215GT	MPT, CPLR, 1/4"SER, 3/8"X18	1
40	1279531GT	GROMMET, SBR, 0.88 X 0.50 X 1.63 IN	1



814.1 Lift Guard Contact Alarm Option

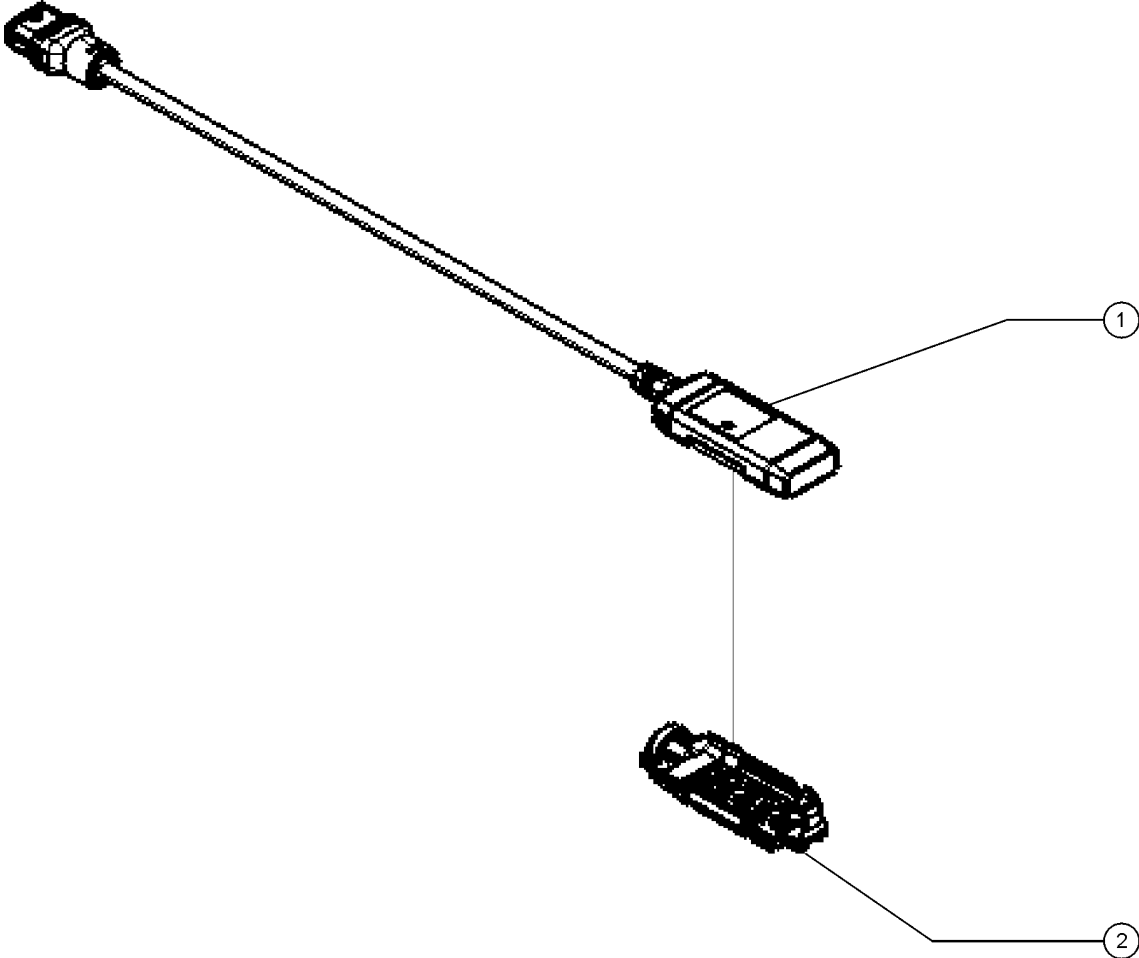


814.1 Lift Guard Contact Alarm Option

Item	Part No.	Description	Qty.
A		OPTION, CONTACT ALARM, ALC600	1
1	1307739GT	Nut,#10-24 Nickel Plated Acorn	3
2	1253185GT	WASHER,FLAT,#10,USS,ZAG	5
3	1280278GT	SCREW,PHPM,10-24X1.375,ZAG	3
4	1264934GT	SCREW,HHF,10-24X.5	1
5	73575GT	SPRING CLIP,10-24,.025-.125X.468,ZAG	1
6	1308384GT	ASSY, LIGHTS, 12/24 V CONTACT ALARM, AMBER	1
7	1307644GT	ASSY, SENSOR W/ HOUSING	1
8	1278542GT	DECAL, INSTRUCTION, CONTACT ALARM	1
9	1277873GT	FORMING, SENSOR HOLDER	1
10	1306900GT	CONTACT ALARM WIRE ASSY, LARGE	1
11	824078GT	SCREW,HHF,1/4-20X.75,8,ZAG	2
12	1277924GT	NUT,NYLOCK FLG,1/4-20,F,ZAG	3
13	1334346GT	WELDMENT, RIGHT CONTACT ALARM, LARGE	1
14	1261184GT	NUT,1/4-20,8,ZAG	1
15	1274322GT	NUT,NYLOCK FLG,3/8-16,F,ZAG	4
16	1251600GT	U-BOLT, FLATTENED, 1.5DIA. X 3/8 UNC,ZAG	2
17	1278982GT	DECAL, INSTRUCTION, ACTUATOR SWITCH SOCKET	1
18	1334343GT	WELDMENT, LEFT CONTACT ALARM, LARGE	1



815.1 Telematics Option

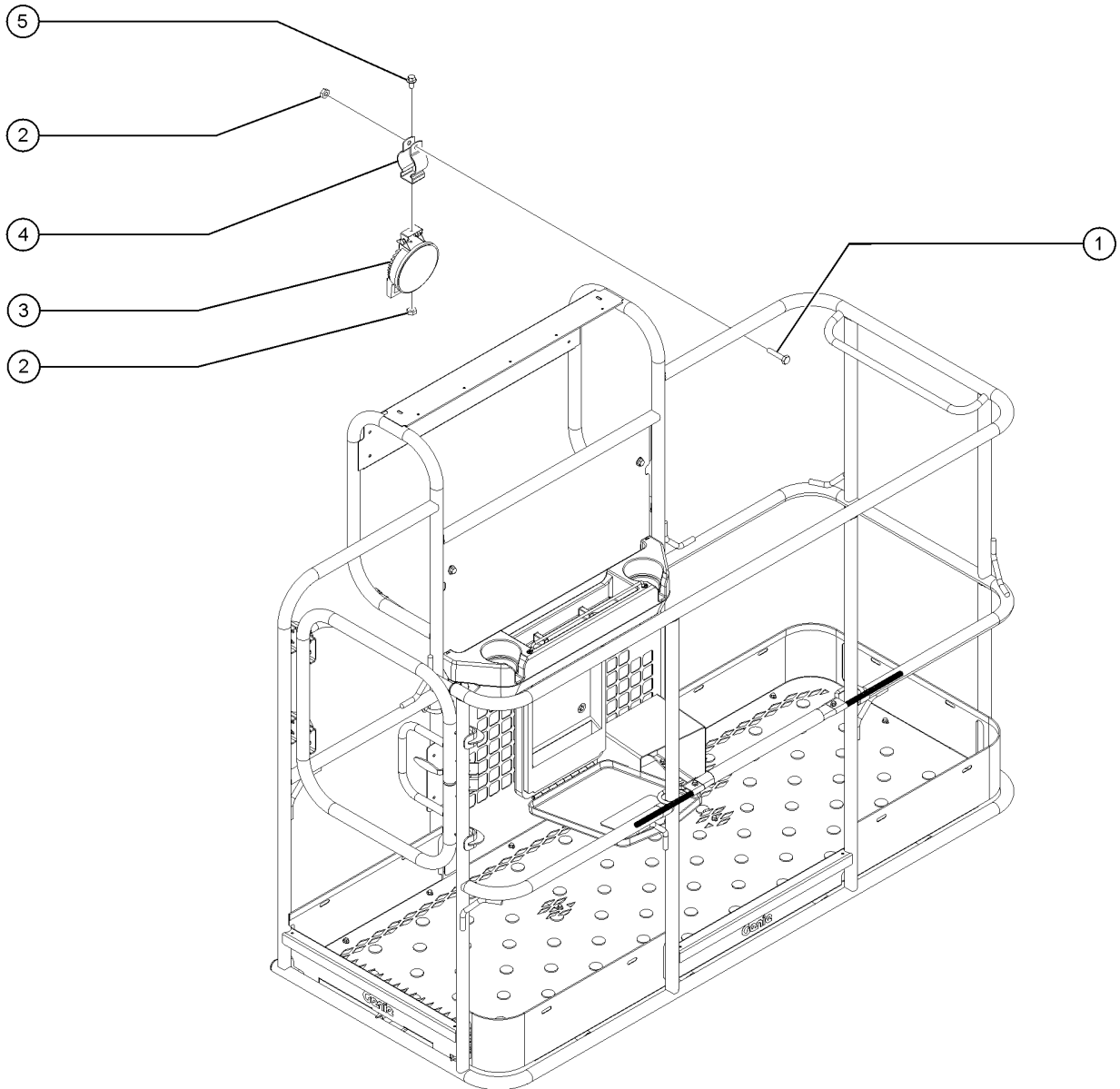


815.1 Telematics Option

<i>Item</i>	<i>Part No.</i>	<i>Description</i>	<i>Qty.</i>
1	1332235GT	MODULE, TELEMATICS, TU700	1
2	1333319GT	BRACKET, TELEMATICS	1



816.1 Work Light Package

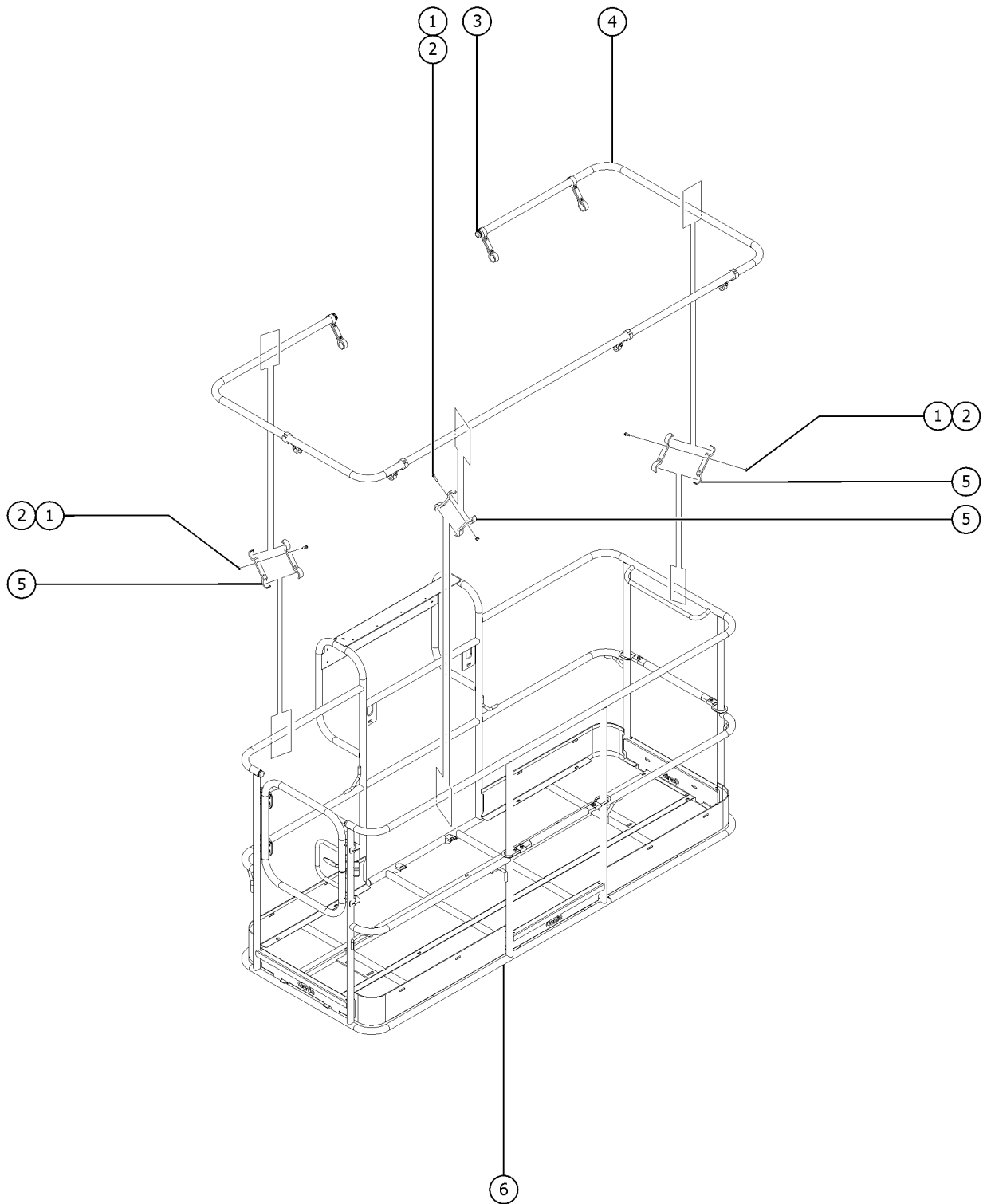


816.1 Work Light Package

<i>Item</i>	<i>Part No.</i>	<i>Description</i>	<i>Qty.</i>
1	1327221GT	SCREW,HHC,1/4-20X1.25,8,FULL THREAD,ZAG	2
2	824037GT	NUT, HH JAM, 1/4-20, A, ZAG	4
3	1282993GT	ASSY, WORK LIGHT, 12V LED	2
4	1326942GT	CLAMP, WORK LIGHT MOUNT 5/16"	2
5	824077GT	SCREW, HHF, 1/4-20 X .5, 8, ZAG	2



817.1 Platform Accessories

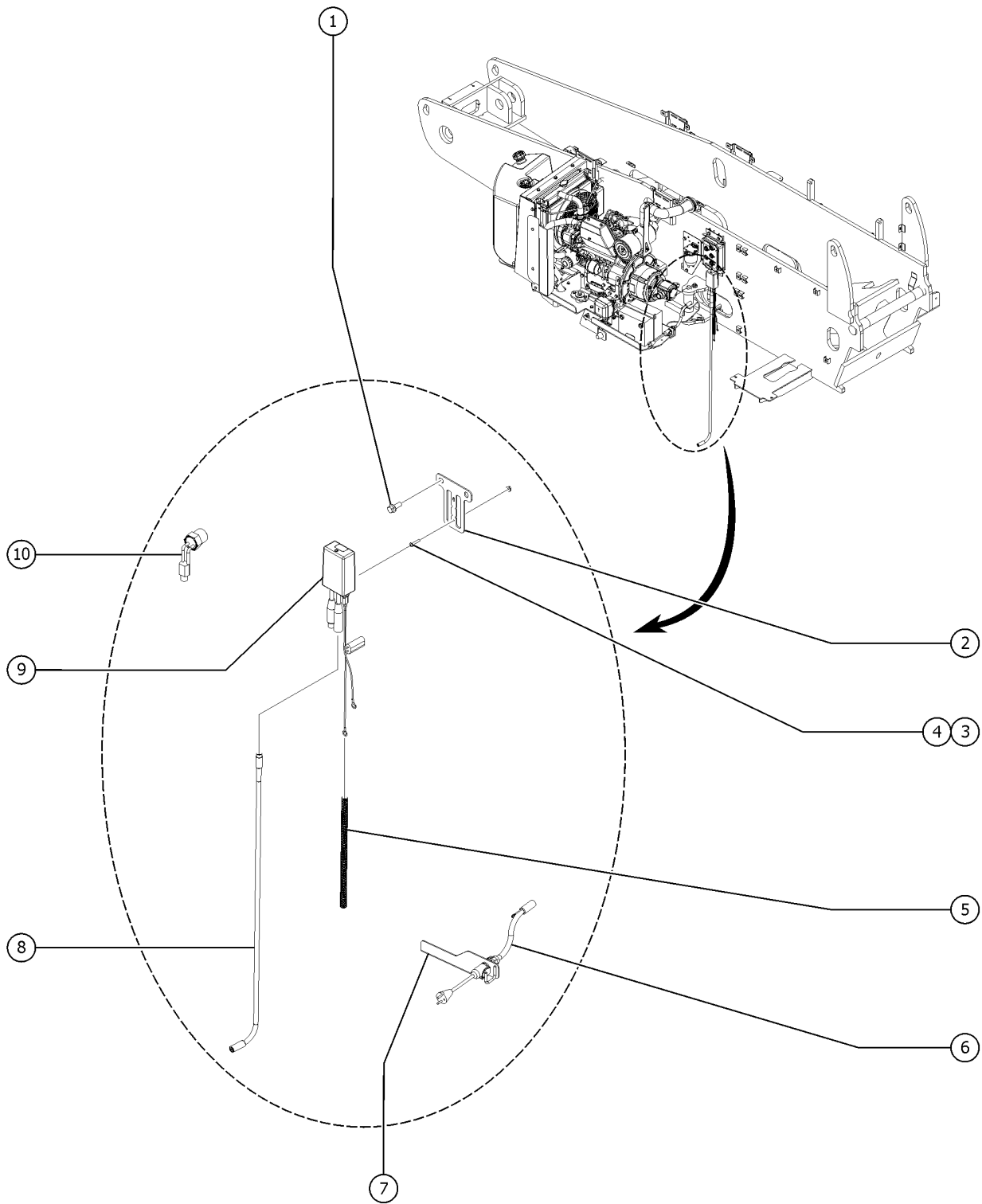


817.1 Platform Accessories

<i>Item</i>	<i>Part No.</i>	<i>Description</i>	<i>Qty.</i>
1	824227GT	SCREW, BHC, 1/4-20 X 1, ZAG	20
2	1277924GT	NUT, NYLOCK FLG, 1/4-20, F, ZAG	20
3	55753GT	BUMPER, PLASTIC, 1.25 O.D.	2
4	1252486GT	TUBE, RD, STL, BENT, 240" LONG***	1
5	122073GT	SUPPORT, RAILING	20
6		Ref. PLATFORM	1
		(refer to 602.1)	



818.1 Cold Start Package (240V)

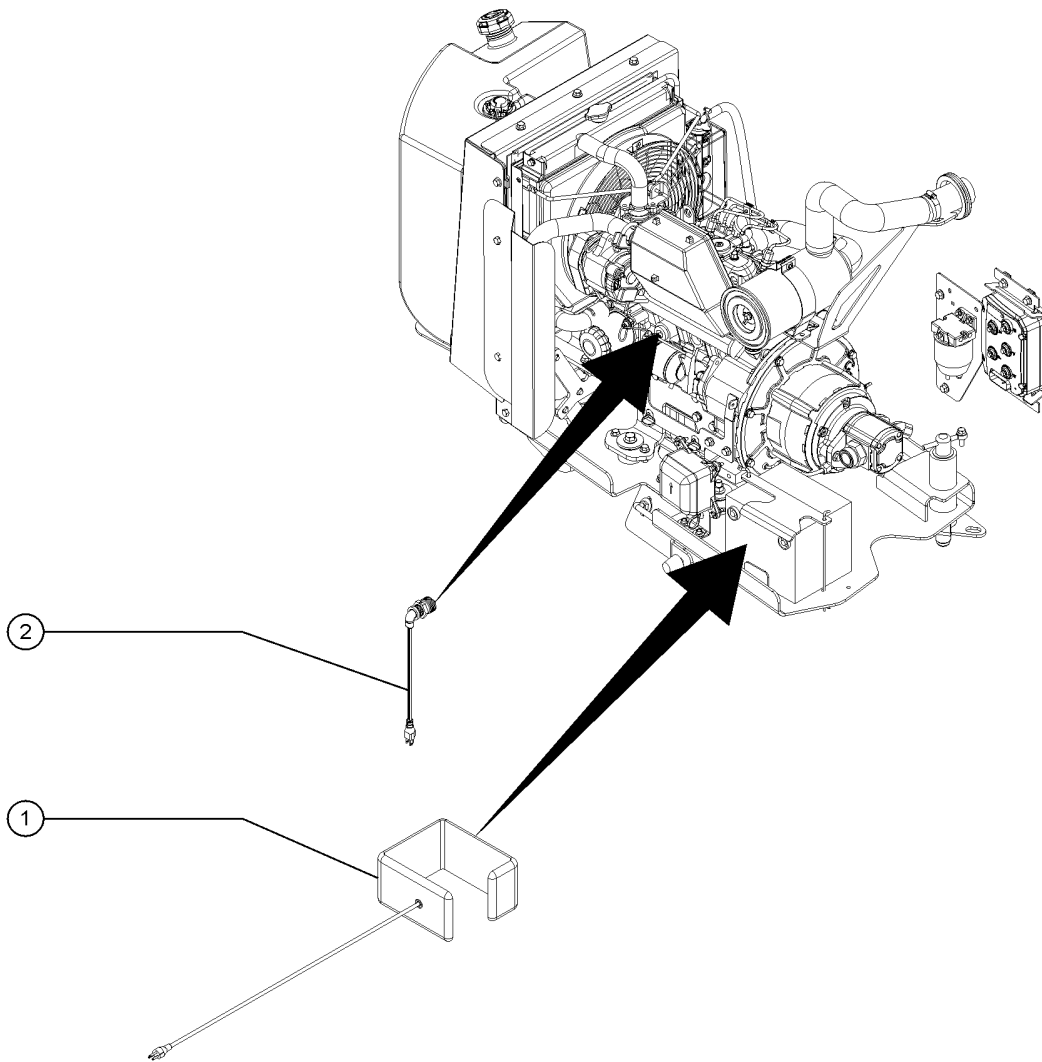


818.1 Cold Start Package (240V)

<i>Item</i>	<i>Part No.</i>	<i>Description</i>	<i>Qty.</i>
1	824090GT	SCREW,HHF,3/8-16X1,8,ZAG	2
2	1326034GT	FORMING, DEFA SUPPORT	1
3	1256460GT	SCREW,PHPM,10-24X1,ZAG	2
4	1256467GT	NUT,TL FLG,10-24,F,ZAG	2
5	20973GT	WIRE LOOM,3/8 POLY SLIT	1
6	1258783GT	CABLE, CONNECTION, MAINS	7
7	1329927GT	WELDMENT, COLD START,CABLES HOLDER	1
8	1261879GT	CABLE, EXTENSION, 1210	1
9	1294422GT	MULTI-CHARGER, BATTERY, 1210, FLEX	1
10	1261878GT	ELEMENT, HEATER, COOLANT, KUBOTA	1



819.1 Cold Start Package (120V)

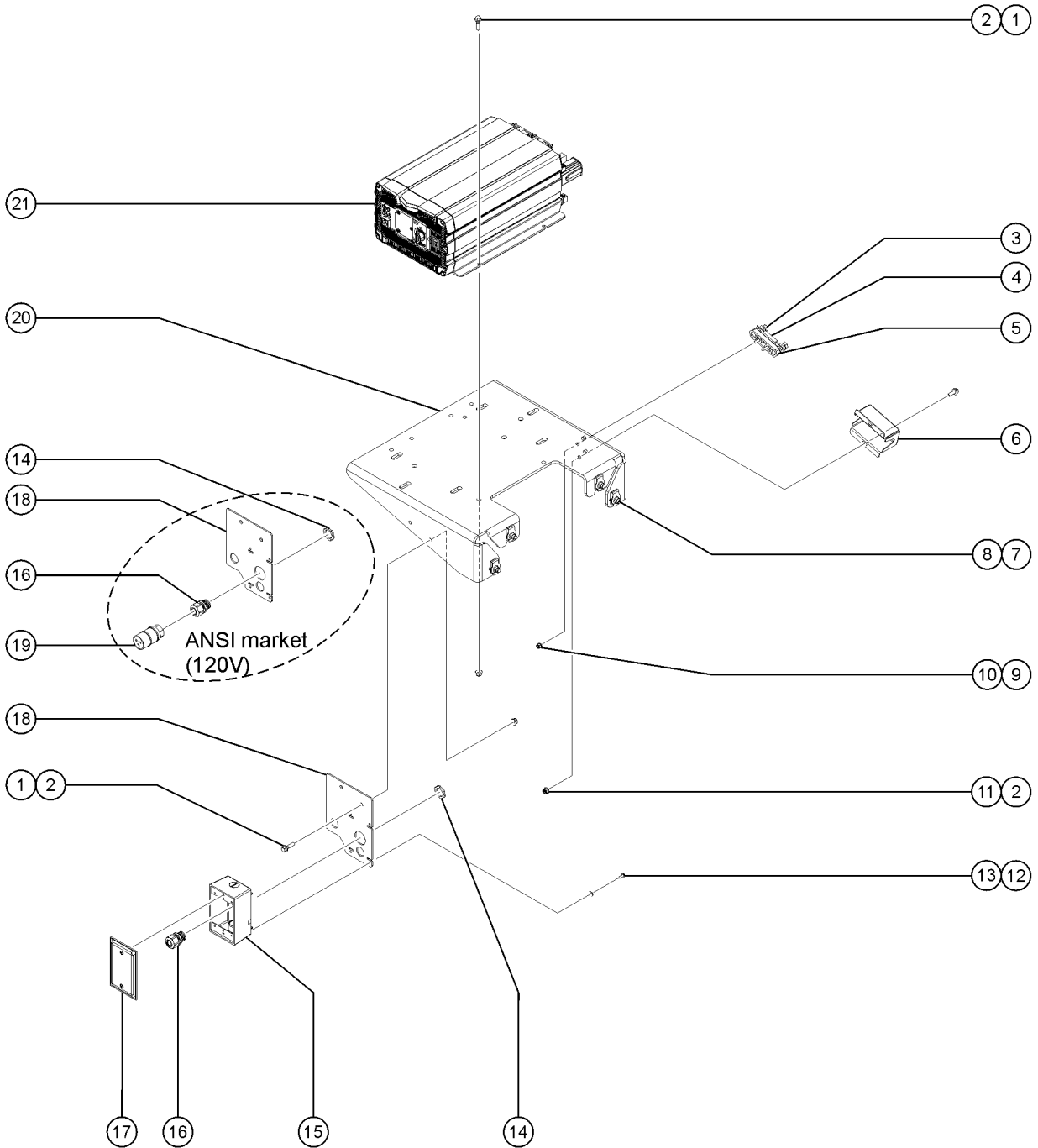


819.1 Cold Start Package (120V)

Item	Part No.	Description	Qty.
A	1298877GT	CABLE, SPLITTER, 18AWG	1
B	128146GT	OIL,ENG 5W-40 SYN***	5.4 Quarts
C	1308227GT	OIL,ENG SHC 5W-40	4.5 Quarts
1	28853GT	BLANKET,BATTERY	1
2	42489GT	FREEZE PLUG HEATER	1



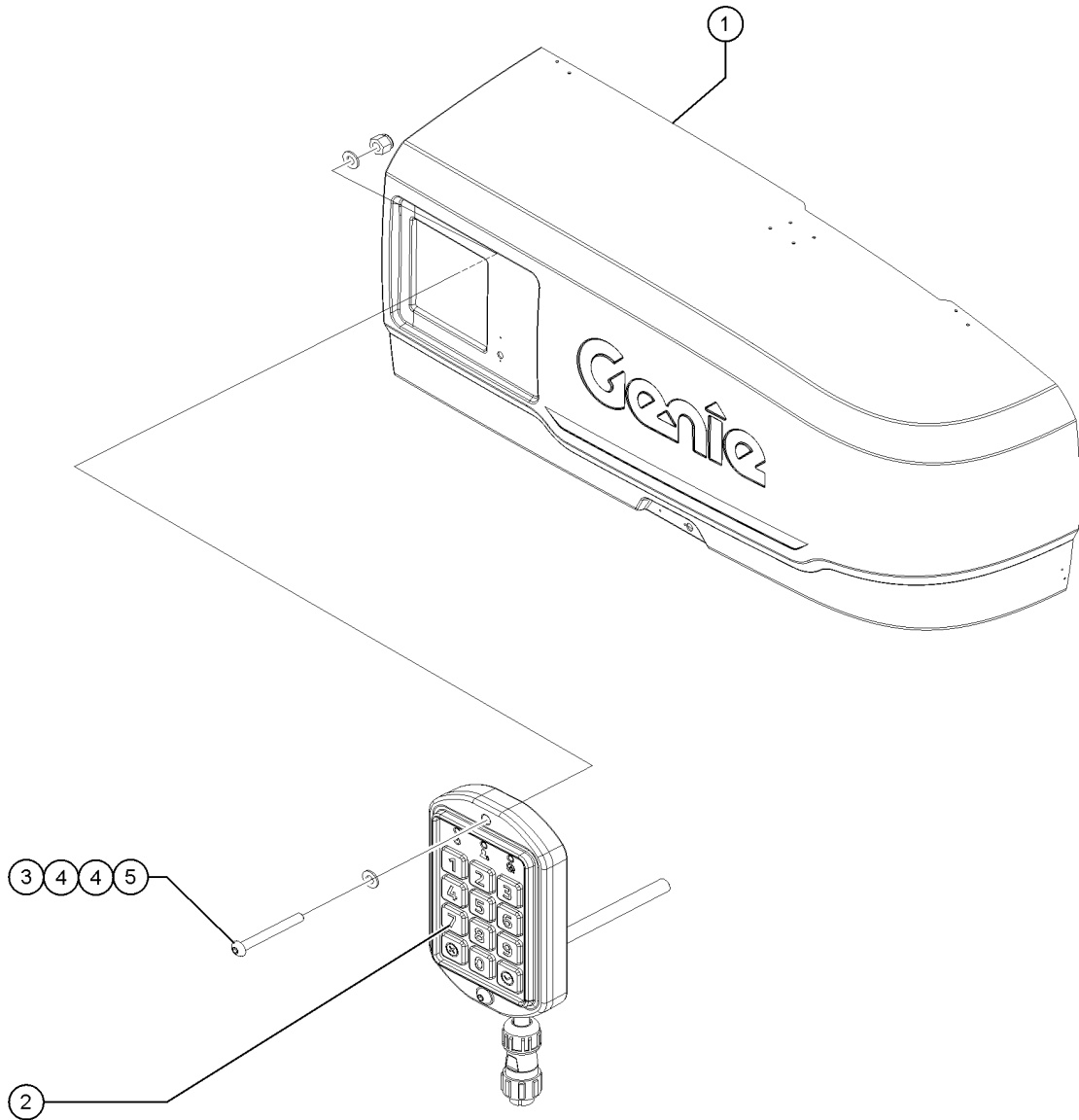
820.1 Inverter Option



Item	Part No.	Description	Qty.
-	1328274GT	ASSY CABLE, 3KW INVERTER WIRING	1
1	824079GT	SCREW,HHF,1/4-20X1,8,ZAG	6
2	1277924GT	NUT,NYLOCK FLG,1/4-20,F,ZAG	8
3	1274167GT	NUT,NYLOCK FLG,5/16-18,F,ZAG	2
		(115V, 230V)	
3B	824028GT	NUT, TL FLG, 5/16-18, G, ZAG	2
		120V	
4	41023GT	FUSE,175 AMP	1
5	66717GT	FUSE BLOCK, ANN & ANL FUSE	1
6	1320953GT	FORMING,AUX BATTERY,FUSE COVER	1
7	29868GT	SPRING CLIP,3/8-16,.05-.20X.73,ZAG	4
8	824090GT	SCREW,HHF,3/8-16X1,8,ZAG	4
9	1283005GT	NUT,NYLOCK FLG,10-32,A,ZAG	2
		(115V, 230V)	
9B	824032GT	NUT, TL FLG, 10-32, F, ZAG	2
		120V	
10	826783GT	SCREW,FHPM,10-32X.1,00,ZAG	2
11	824078GT	SCREW,HHF,1/4-20X.75,8,ZAG	2
12	1257296GT	ASSEMBLY, LIGHT, CONTACT ALARM	4
		(115V, 230V)	
13	1257390GT	WASHER,FLAT,#8,SAE,ZAG	4
		(115V, 230V)	
14	6935GT	CONN, SQZ, 1/2NPT, LOCKNUT	1
15	1310378GT	SPRING CLIP,10-24,.025-.125X.468,ZAG	1
		(115V, 230V)	
16	7056GT	CONN, SQZ, 1/2NPT, 0.38-0.50,SM	1
17	10777GT	COVER, BLANK	1
		(115V, 230V)	
18	1331790GT	BRACKET, T-BOX AND PLUG	1
19	119404GT	CONN,RECEP 120AC/15A DOMESTIC	1
20		Ref. BRACKET, GENERATOR 12 KW	1
		refer to 808.1	
21	1327436GT	INVERTER, 3000W, 48VDC TO 120VAC 50/60HZ	1
		(115V, 120V)	
21B	1327437GT	INVERTER, 3000W, 48VDC TO 230VAC 50/60HZ	1
		(230V)	



821.1 Option, Access Manager, 164

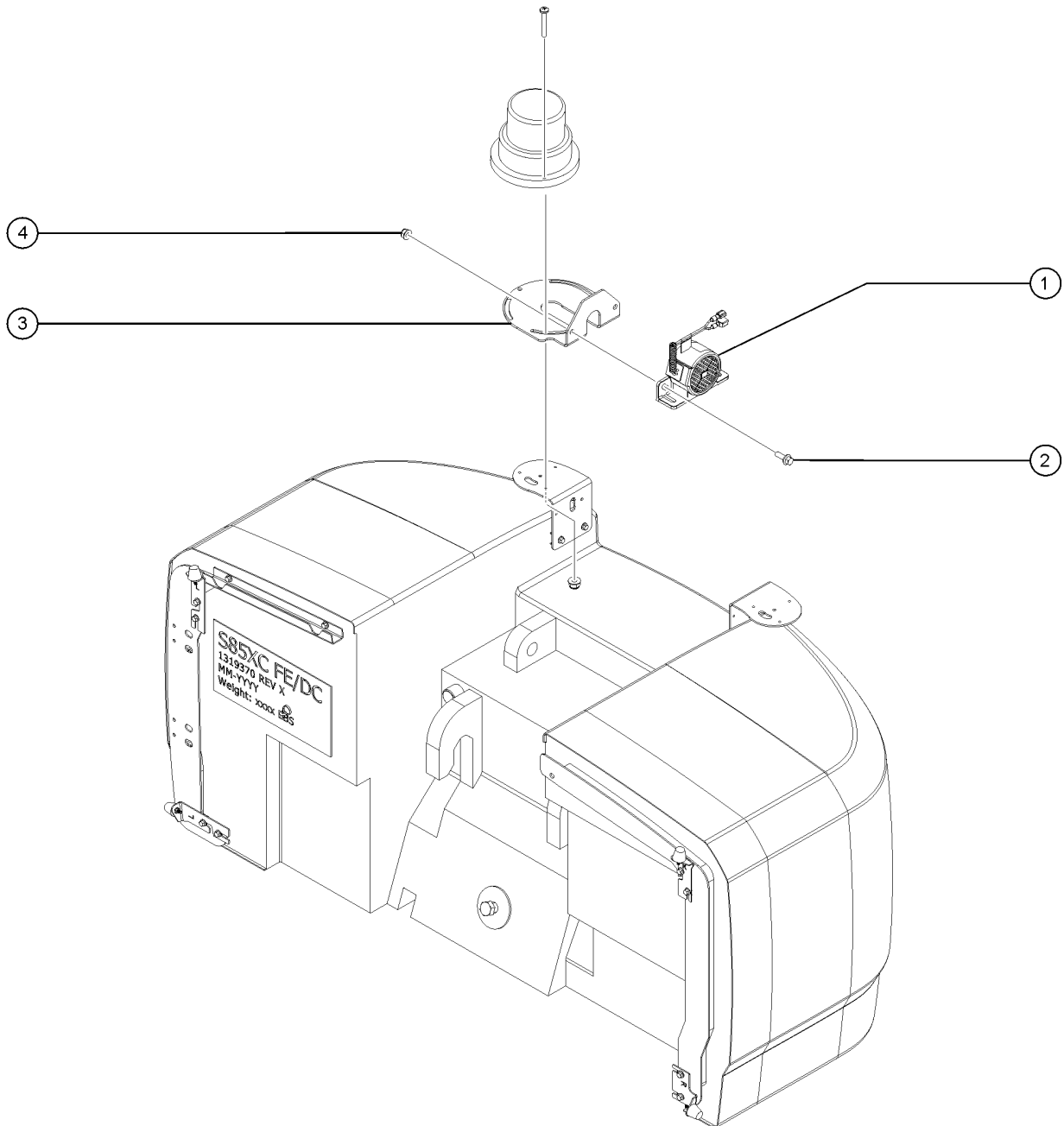


821.1 Option, Access Manager, 164

<i>Item</i>	<i>Part No.</i>	<i>Description</i>	<i>Qty.</i>
A	1296897GT	HARNESS, ACCESS MANAGEMENT, 164"	1
B	1273629GT	WIRE CLAMP, ADHESIVE, ADJUSTABLE, 7/16"	6
1		Ref. Cover, Tank Side	
		(refer to 306.1)	
2	1296895GT	KEYPAD, ACCESS MANAGEMENT, LIFT CONNECT	1
3	1300832GT	SCREW, BHC, M4-0.7X35, 10.9,ZAB	2
4	825357GT	WASHER,FLAT,M4,DIN125,ZAB	4
5	1283019GT	NUT,NYLOCK,M4-0.7,DIN985,8,ZAB	2



822.1 Lift Guard White Noise Alarm

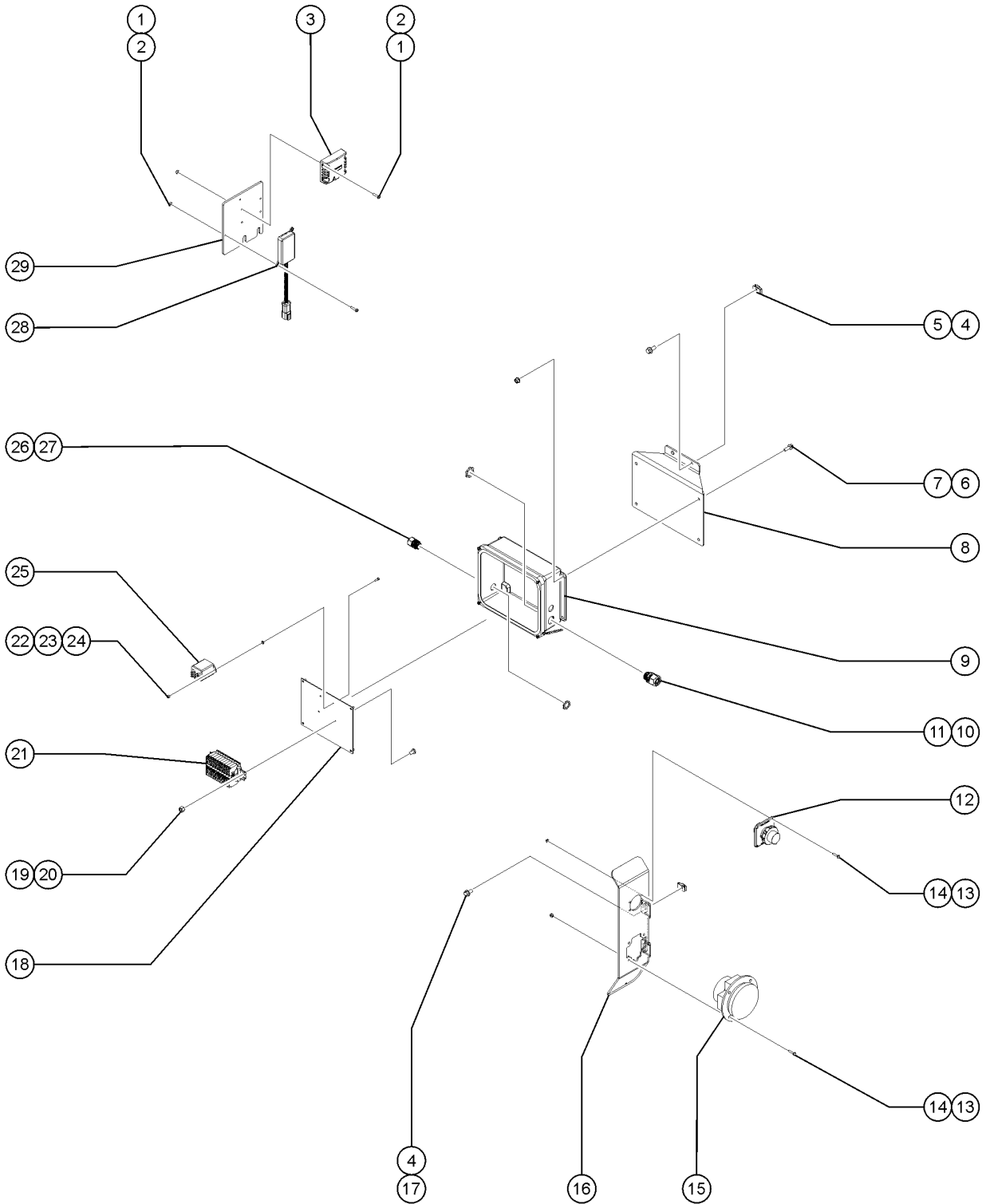


822.1 Lift Guard White Noise Alarm

<i>Item</i>	<i>Part No.</i>	<i>Description</i>	<i>Qty.</i>
A	1318558GT	ASSEMBLY, WHITE NOISE ALARM OPTION, BOOMS	
-	110149GT	CABLE TIE,DFT MOUNT,BLK,6.5"	
1	1315359GT	ASSEMBLY, ALARM, WHITE NOISE, 97dB	1
2	824078GT	SCREW,HHF,1/4-20X.75,8,ZAG	2
3	1316333GT	BRACKET, WHITE NOISE ALARM, BOOMS	1
4	1277924GT	NUT,NYLOCK FLG,1/4-20,F,ZAG	2



823.1 Charge Port, EU STD + EU EV, Option

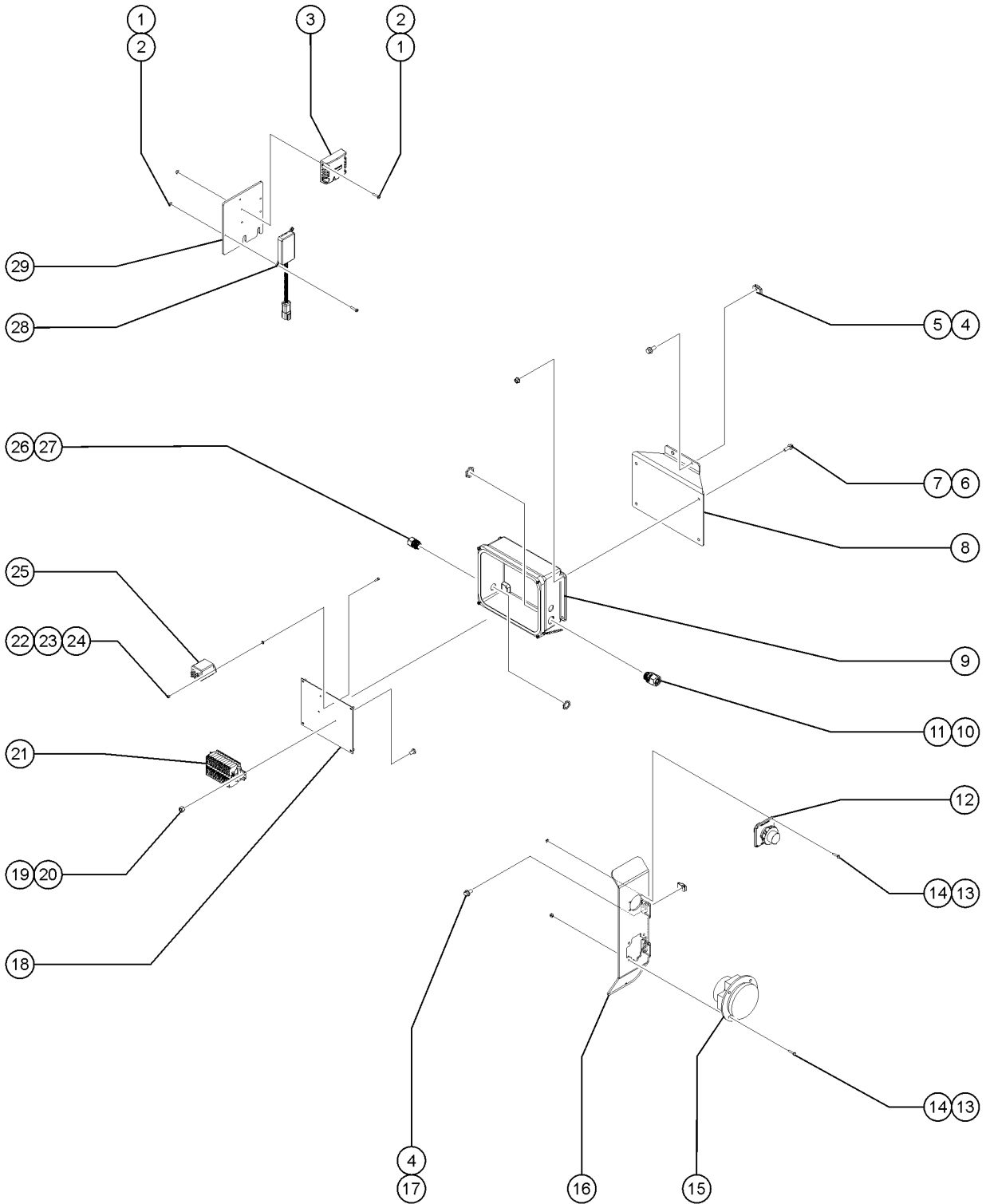


823.1 Charge Port, EU STD + EU EV, Option

Item	Part No.	Description	Qty.
1	1271081GT	NUT,NYLOCK,8-32,8,ZAG	6
2	1253490GT	SCREW,PHPM,8-32 X .75,ZAG	6
3	1333337GT	CAN MODULE, ISOLATED	1
4	29868GT	SPRING CLIP,3/8-16,.05-.20X.73,ZAG	4
5	825354GT	SCREW,HHF-S,3/8-16X7/8,8.2,ZAG	2
6	824086GT	SCREW, HHF, 5/16-18 X 1, 8, ZAG	4
7	1274167GT	NUT,NYLOCK FLG,5/16-18,F,ZAG	4
8	1334121GT	BRACKET, JUNCTION BOX, EVSE CHARGING	1
9	1333961GT	BOX, JUNCTION BOX, EVSE CHARGING	1
10	1337751GT	CORD GRIP, .435 - .705, 3/4 NPT	1
11	14041GT	LOCKNUT,ELECTRIC,3/4"	1
12	1337050GT	PORT, CHARGING, IEC	1
13	1264446GT	SCREW,HHF,10-24X1,ZAG	8
14	1283004GT	NUT,NYLOCK FLG,10-24,A,ZAG	8
15	1337818GT	ASSY, CHARGER PORT, IEC62196 TYPE 2, 32A	1
16	1337242GT	ASSEMBLY, VANITY BRACKET, STANDARD PORT	1
17	824089GT	SCREW, HHF, 3/8-16 X .75, 8, ZAG	2
18	1333962GT	PLATE, JUNCTION BOX, EVSE CHARGING	1
19	1274168GT	NUT,NYLOCK,10-32,A,ZAG	2
20	1335529GT	SCREW, PHILLIPS, PHM,10-32 X .38, SSTL	2
21	1329532GT	ASSY, TERMINAL RAIL,HIGH CURRENT 10 CIRCUIT	1
22	1283019GT	NUT,NYLOCK,M4-0.7,DIN985,8,ZAB	2
23	1255752GT	NUT,FLG,M4-0.7,DIN6923,8,ZAB	2
24	217219GT	SCREW,SHC,M4-0.7X14 DIN912,12.9,ZAB	2
25	1334240GT	RELAY, 240VAC, DPDT, 40A	1
26	1337752GT	CORD GRIP, .260 - .545, 1/2 NPT	3
27	6935GT	CONN, SQZ, 1/2NPT, LOCKNUT	3
28	1331809GT	ASSEMBLY, DC/DC CONVERTER, 48V TO 12V, ISOLATED	1



823.1 Charge Port, EU STD + EU EV, Option

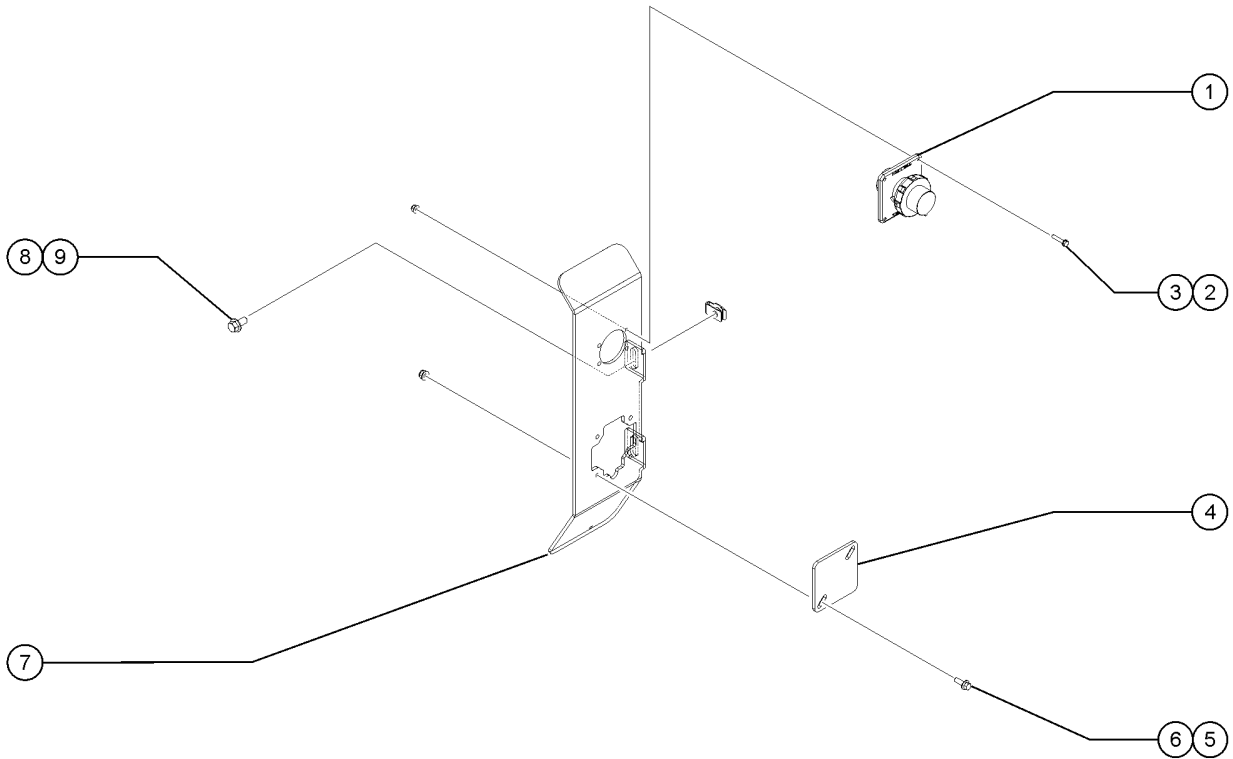


823.1 Charge Port, EU STD + EU EV, Option

<i>Item</i>	<i>Part No.</i>	<i>Description</i>	<i>Qty.</i>
29	1334130GT	BRACKET, DCDC AND ISOLATOR	1



824.1 Charge Port, EU STD, 1.2KW, Option

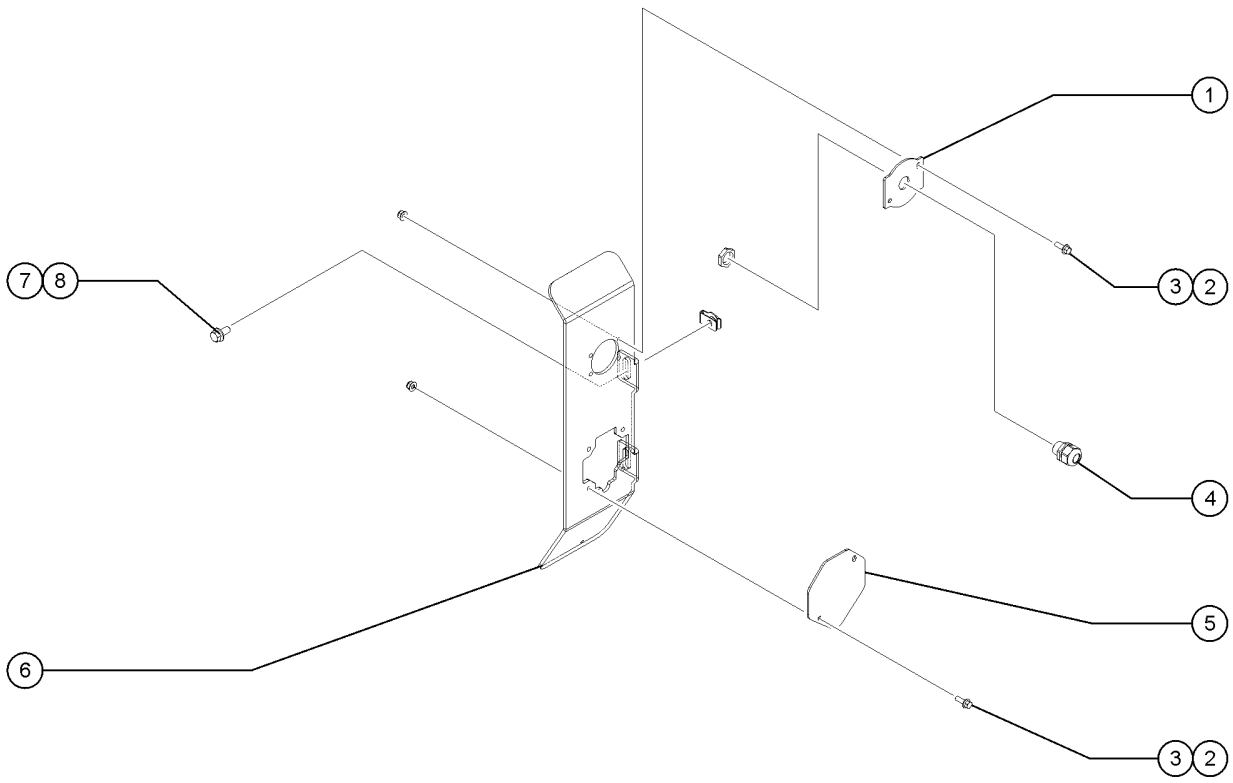


824.1 Charge Port, EU STD, 1.2KW, Option

<i>Item</i>	<i>Part No.</i>	<i>Description</i>	<i>Qty.</i>
1	1337050GT	PORT, CHARGING, IEC	1
2	1264446GT	SCREW,HHF,10-24X1,ZAG	4
3	1283004GT	NUT,NYLOCK FLG,10-24,A,ZAG	4
4	1333671GT	BRACKET, VANITY, LV CHARGE PORT	1
5	824078GT	SCREW,HHF,1/4-20X.75,8,ZAG	2
6	1277924GT	NUT,NYLOCK FLG,1/4-20,F,ZAG	2
7	1337242GT	ASSEMBLY, VANITY BRACKET, STANDARD PORT	1
8	824089GT	SCREW, HHF, 3/8-16 X .75, 8, ZAG	2
9	29868GT	SPRING CLIP,3/8-16,.05-.20X.73,ZAG	2



825.1 Charge Port, No Plug, Option

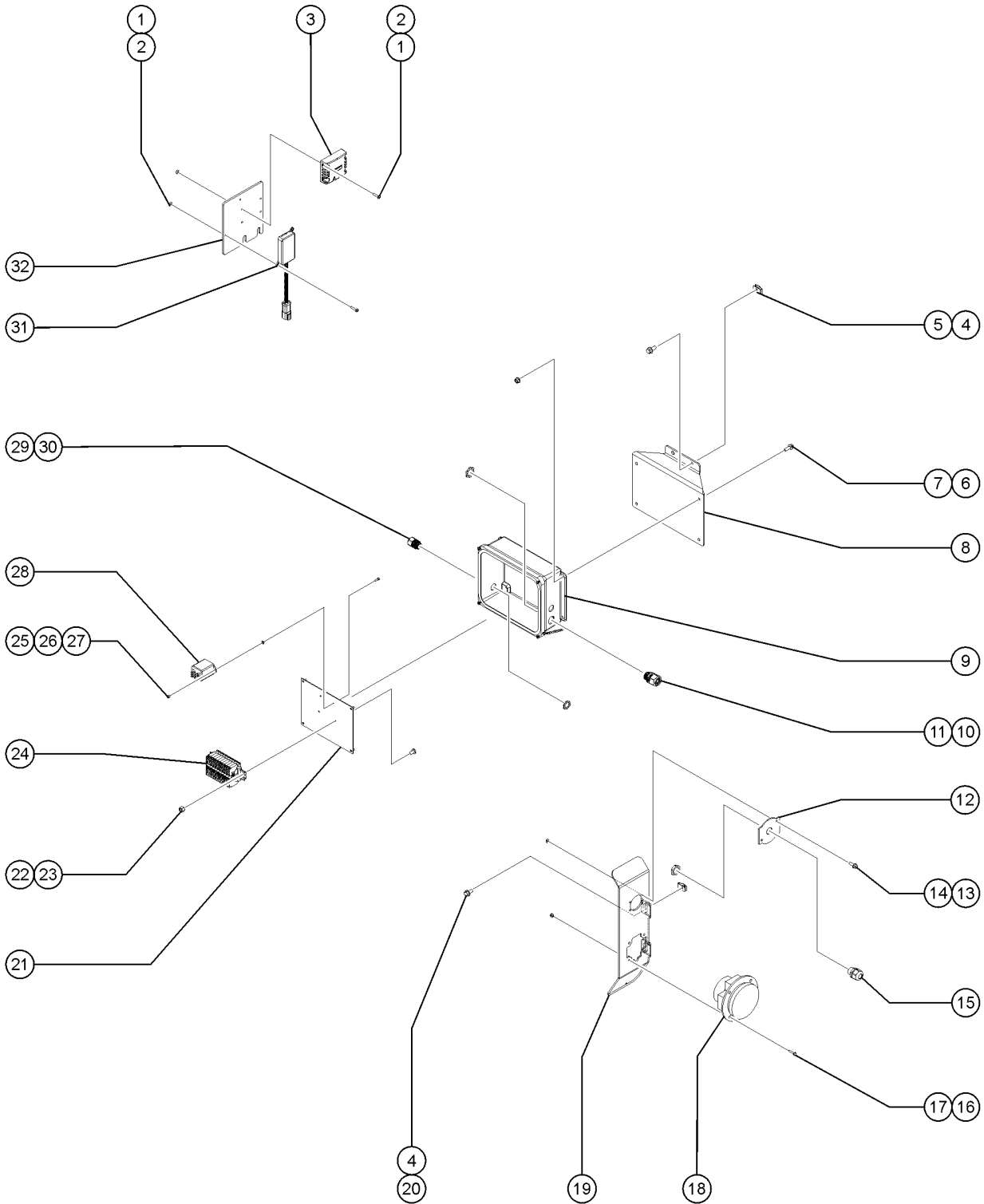


825.1 Charge Port, No Plug, Option

<i>Item</i>	<i>Part No.</i>	<i>Description</i>	<i>Qty.</i>
1	1337246GT	ASSEMBLY, VANITY BRACKET	1
2	824078GT	SCREW,HHF,1/4-20X.75,8,ZAG	4
3	1277924GT	NUT,NYLOCK FLG,1/4-20,F,ZAG	4
4	160412GT	WATER PROOF JOINT;PG13.5;M20X1.5	1
5	1337244GT	BRACKET, VANITY, EVSE PORT	1
6	1337242GT	ASSEMBLY, VANITY BRACKET, STANDARD PORT	1
7	824089GT	SCREW, HHF, 3/8-16 X .75, 8, ZAG	2
8	29868GT	SPRING CLIP,3/8-16,.05-.20X.73,ZAG	2



826.1 Charge Port, No Plug + EU EV, Option

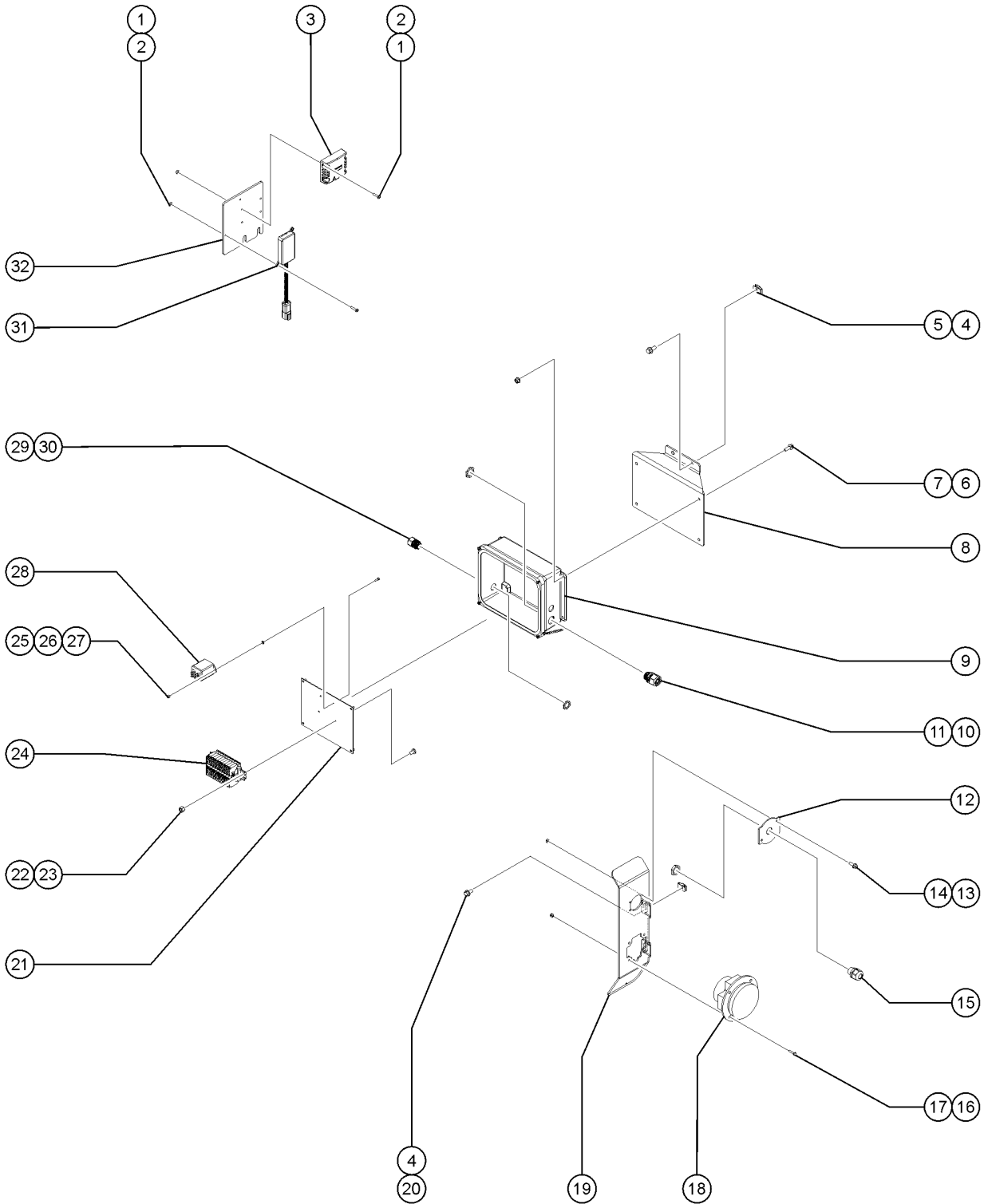


826.1 Charge Port, No Plug + EU EV, Option

Item	Part No.	Description	Qty.
1	1271081GT	NUT,NYLOCK,8-32,8,ZAG	6
2	1253490GT	SCREW,PHPM,8-32 X .75,ZAG	6
3	1333337GT	CAN MODULE, ISOLATED	1
4	29868GT	SPRING CLIP,3/8-16,.05-.20X.73,ZAG	4
5	825354GT	SCREW,HHF-S,3/8-16X7/8,8.2,ZAG	2
6	824086GT	SCREW, HHF, 5/16-18 X 1, 8, ZAG	4
7	1274167GT	NUT,NYLOCK FLG,5/16-18,F,ZAG	4
8	1334121GT	BRACKET, JUNCTION BOX, EVSE CHARGING	1
9	1333961GT	BOX, JUNCTION BOX, EVSE CHARGING	1
10	1337751GT	CORD GRIP, .435 - .705, 3/4 NPT	1
11	14041GT	LOCKNUT,ELECTRIC,3/4"	1
12	1337050GT	PORT, CHARGING, IEC	1
13	824078GT	SCREW,HHF,1/4-20X.75,8,ZAG	2
14	1277924GT	NUT,NYLOCK FLG,1/4-20,F,ZAG	2
15	160412GT	WATER PROOF JOINT;PG13.5;M20X1.5	1
16	1264446GT	SCREW,HHF,10-24X1,ZAG	4
17	1283004GT	NUT,NYLOCK FLG,10-24,A,ZAG	4
18	1337818GT	ASSY, CHARGER PORT, IEC62196 TYPE 2, 32A	1
19	1337242GT	ASSEMBLY, VANITY BRACKET, STANDARD PORT	1
20	824089GT	SCREW, HHF, 3/8-16 X .75, 8, ZAG	2
21	1333962GT	PLATE, JUNCTION BOX, EVSE CHARGING	1
22	1274168GT	NUT,NYLOCK,10-32,A,ZAG	2
23	1335529GT	SCREW, PHILLIPS, PHM,10-32 X .38, SSTL	2
24	1329532GT	ASSY, TERMINAL RAIL,HIGH CURRENT 10 CIRCUIT	1
25	1283019GT	NUT,NYLOCK,M4-0.7,DIN985,8,ZAB	2
26	1255752GT	NUT,FLG,M4-0.7,DIN6923,8,ZAB	2
27	217219GT	SCREW,SHC,M4-0.7X14 DIN912,12.9,ZAB	2
28	1334240GT	RELAY, 240VAC, DPDT, 40A	1



826.1 Charge Port, No Plug + EU EV, Option

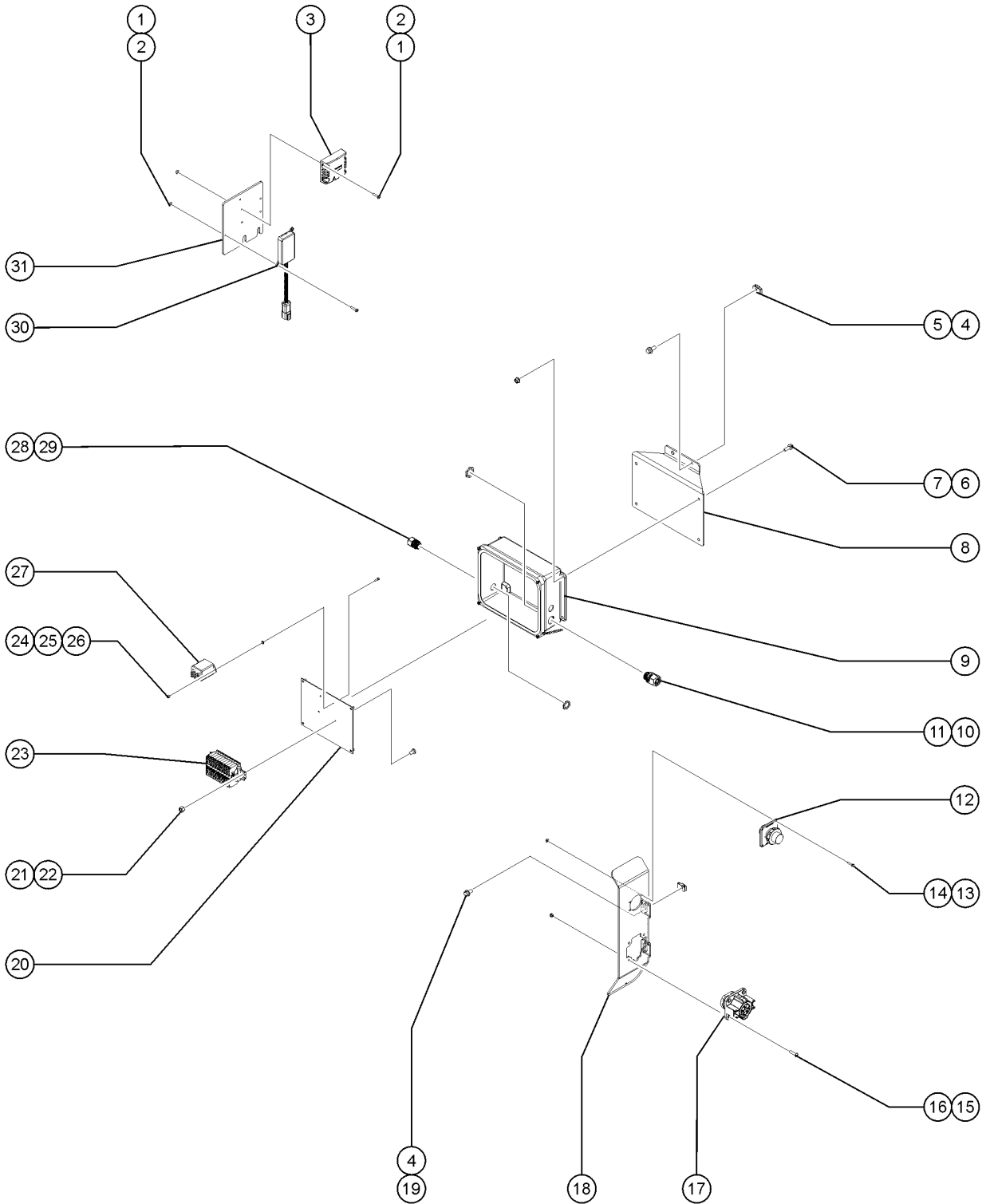


826.1 Charge Port, No Plug + EU EV, Option

<i>Item</i>	<i>Part No.</i>	<i>Description</i>	<i>Qty.</i>
29	1337752GT	CORD GRIP, .260 -.545, 1/2 NPT	3
30	6935GT	CONN, SQZ, 1/2NPT, LOCKNUT	3
31	1331809GT	ASSEMBLY, DC/DC CONVERTER, 48V TO 12V, ISOLATED	1
32	1334130GT	BRACKET, DCDC AND ISOLATOR	1



827.1 Charge Port, EU STD + NA EV, Option

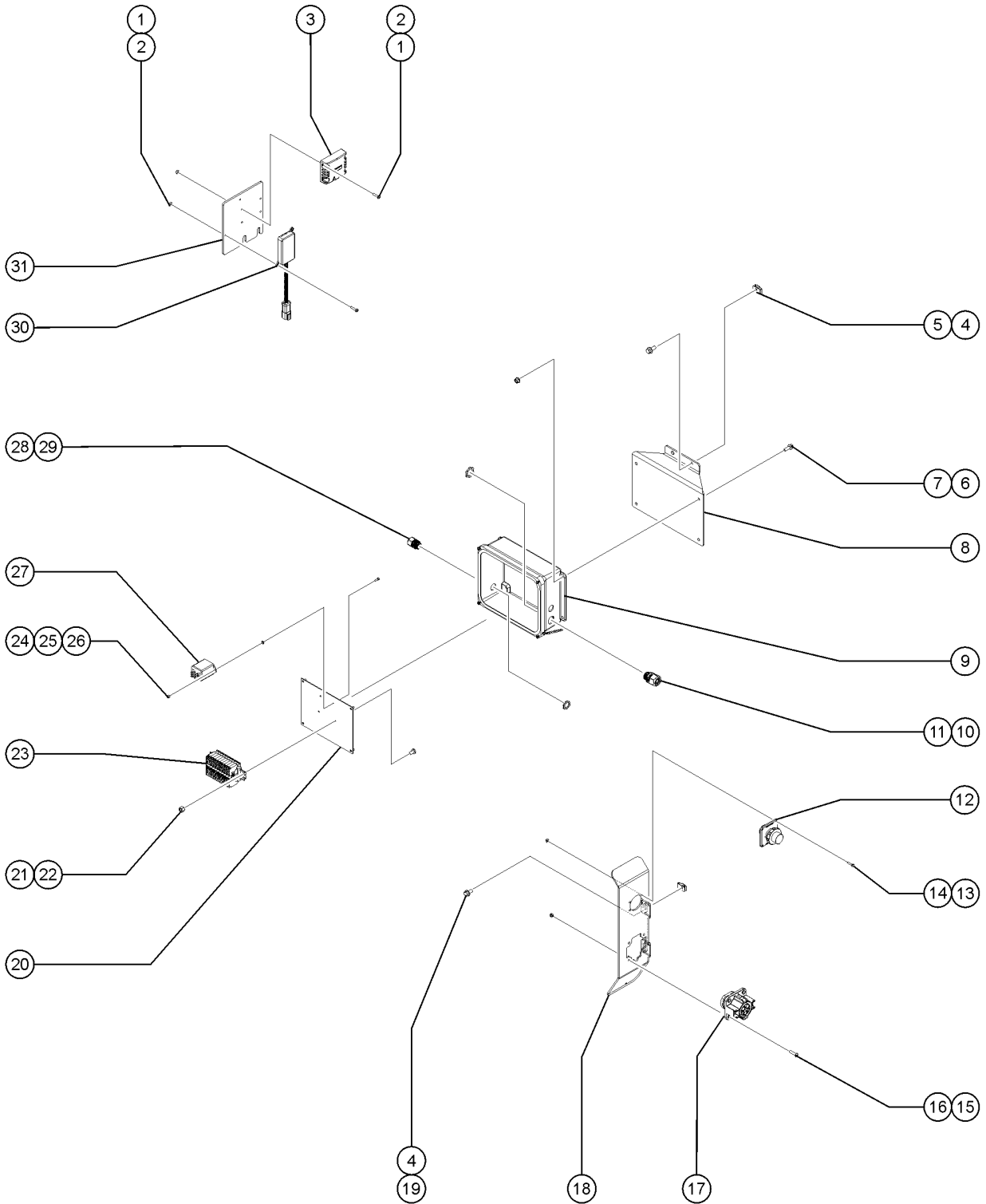


827.1 Charge Port, EU STD + NA EV, Option

Item	Part No.	Description	Qty.
1	1271081GT	NUT,NYLOCK,8-32,8,ZAG	6
2	1253490GT	SCREW,PHPM,8-32 X .75,ZAG	6
3	1333337GT	CAN MODULE, ISOLATED	1
4	29868GT	SPRING CLIP,3/8-16,.05-.20X.73,ZAG	4
5	825354GT	SCREW,HHF-S,3/8-16X7/8,8.2,ZAG	2
6	824086GT	SCREW, HHF, 5/16-18 X 1, 8, ZAG	4
7	1274167GT	NUT,NYLOCK FLG,5/16-18,F,ZAG	4
8	1334121GT	BRACKET, JUNCTION BOX, EVSE CHARGING	1
9	1333961GT	BOX, JUNCTION BOX, EVSE CHARGING	1
10	1337751GT	CORD GRIP, .435 - .705, 3/4 NPT	1
11	14041GT	LOCKNUT,ELECTRIC,3/4"	1
12	1337050GT	PORT, CHARGING, IEC	1
13	1264446GT	SCREW,HHF,10-24X1,ZAG	4
14	1283004GT	NUT,NYLOCK FLG,10-24,A,ZAG	4
15	824227GT	SCREW, BHC, 1/4-20 X 1, ZAG	4
16	1277924GT	NUT,NYLOCK FLG,1/4-20,F,ZAG	4
17	1334142GT	ASSEMBLY, EV PORT, J1772	1
18	1337242GT	ASSEMBLY, VANITY BRACKET, STANDARD PORT	1
19	824089GT	SCREW, HHF, 3/8-16 X .75, 8, ZAG	2
20	1333962GT	PLATE, JUNCTION BOX, EVSE CHARGING	1
21	1274168GT	NUT,NYLOCK,10-32,A,ZAG	2
22	1335529GT	SCREW, PHILLIPS, PHM,10-32 X .38, SSTL	2
23	1329532GT	ASSY, TERMINAL RAIL,HIGH CURRENT 10 CIRCUIT	1
24	1283019GT	NUT,NYLOCK,M4-0.7,DIN985,8,ZAB	2
25	1255752GT	NUT,FLG,M4-0.7,DIN6923,8,ZAB	2
26	217219GT	SCREW,SHC,M4-0.7X14 DIN912,12.9,ZAB	2
27	1334240GT	RELAY, 240VAC, DPDT, 40A	1
28	1337752GT	CORD GRIP, .260 -.545, 1/2 NPT	3



827.1 Charge Port, EU STD + NA EV, Option

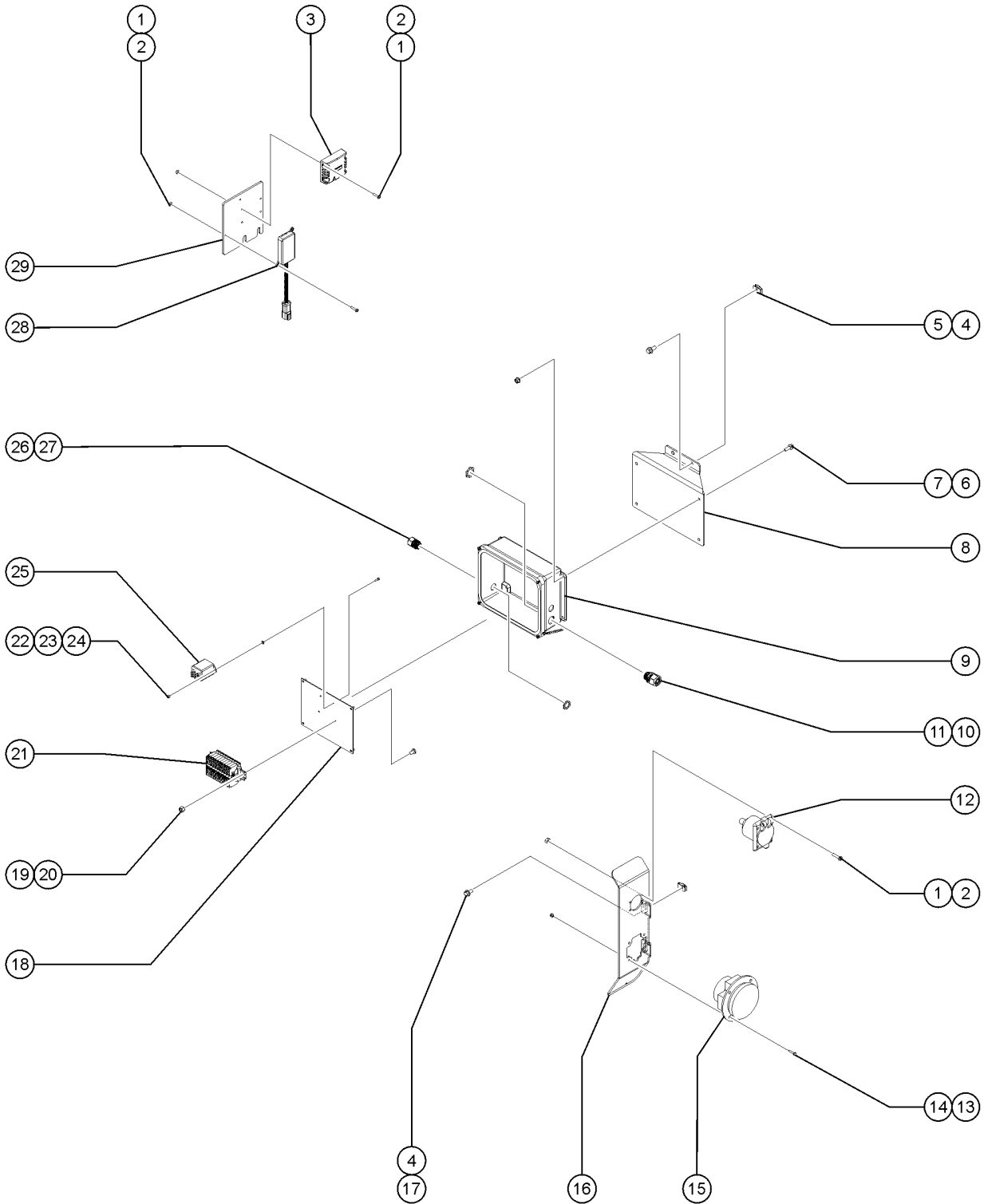


827.1 Charge Port, EU STD + NA EV, Option

<i>Item</i>	<i>Part No.</i>	<i>Description</i>	<i>Qty.</i>
29	6935GT	CONN, SQZ, 1/2NPT, LOCKNUT	3
30	1331809GT	ASSEMBLY, DC/DC CONVERTER, 48V TO 12V, ISOLATED	1
31	1334130GT	BRACKET, DCDC AND ISOLATOR	1



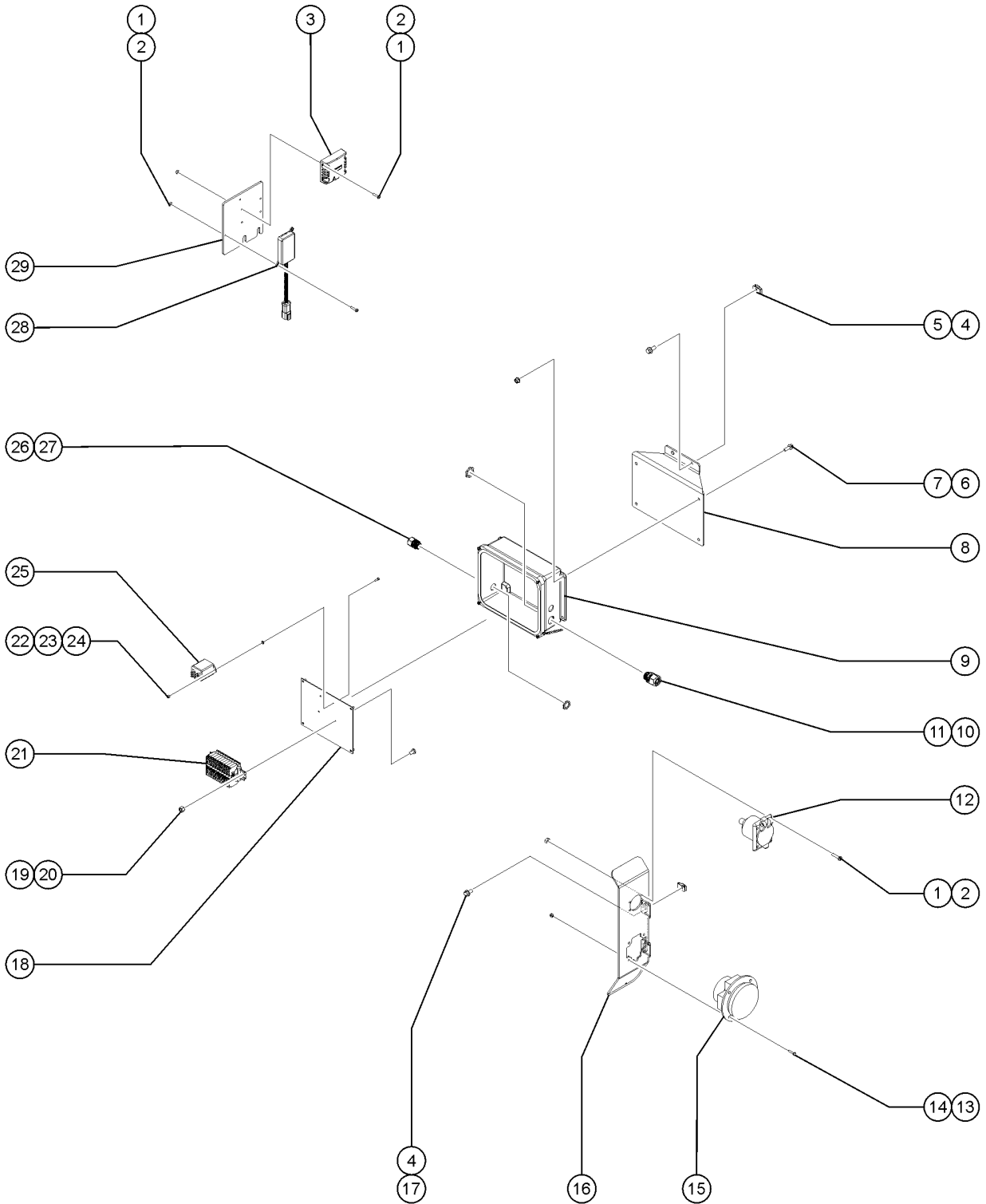
828.1 Charge Port, NA STD + EU EV, Option



Item	Part No.	Description	Qty.
1	1271081GT	NUT,NYLOCK,8-32,8,ZAG	10
2	1253490GT	SCREW,PHPM,8-32 X .75,ZAG	10
3	1333337GT	CAN MODULE, ISOLATED	1
4	29868GT	SPRING CLIP,3/8-16,.05-.20X.73,ZAG	4
5	825354GT	SCREW,HHF-S,3/8-16X7/8,8.2,ZAG	2
6	824086GT	SCREW, HHF, 5/16-18 X 1, 8, ZAG	4
7	1274167GT	NUT,NYLOCK FLG,5/16-18,F,ZAG	4
8	1334121GT	BRACKET, JUNCTION BOX, EVSE CHARGING	1
9	1333961GT	BOX, JUNCTION BOX, EVSE CHARGING	1
10	1337751GT	CORD GRIP, .435 - .705, 3/4 NPT	1
11	14041GT	LOCKNUT,ELECTRIC,3/4"	1
12	1336906GT	PORT, CHARGING, NEMA 15	1
13	1264446GT	SCREW,HHF,10-24X1,ZAG	4
14	1283004GT	NUT,NYLOCK FLG,10-24,A,ZAG	4
15	1337818GT	ASSY, CHARGER PORT, IEC62196 TYPE 2, 32A	1
16	1337242GT	ASSEMBLY, VANITY BRACKET, STANDARD PORT	1
17	824089GT	SCREW, HHF, 3/8-16 X .75, 8, ZAG	2
18	1333962GT	PLATE, JUNCTION BOX, EVSE CHARGING	1
19	1274168GT	NUT,NYLOCK,10-32,A,ZAG	2
20	1335529GT	SCREW, PHILLIPS, PHM,10-32 X .38, SSTL	2
21	1329532GT	ASSY, TERMINAL RAIL,HIGH CURRENT 10 CIRCUIT	1
22	1283019GT	NUT,NYLOCK,M4-0.7,DIN985,8,ZAB	2
23	1255752GT	NUT,FLG,M4-0.7,DIN6923,8,ZAB	2
24	217219GT	SCREW,SHC,M4-0.7X14 DIN912,12.9,ZAB	2
25	1334240GT	RELAY, 240VAC, DPDT, 40A	1
26	1337752GT	CORD GRIP, .260 - .545, 1/2 NPT	3
27	6935GT	CONN, SQZ, 1/2NPT, LOCKNUT	3
28	1331809GT	ASSEMBLY, DC/DC CONVERTER, 48V TO 12V, ISOLATED	1



828.1 Charge Port, NA STD + EU EV, Option



828.1 Charge Port, NA STD + EU EV, Option

<i>Item</i>	<i>Part No.</i>	<i>Description</i>	<i>Qty.</i>
29	1334130GT	BRACKET, DCDC AND ISOLATOR	1



<u>Part no.</u>	<u>Page Number</u>	<u>Part no.</u>	<u>Page Number</u>	<u>Part no.</u>	<u>Page Number</u>
1268GT	11	27206GT	21, 39	35432GT	197
1484GT	11	27207GT	21, 39	35434GT	117, 197
1697-1100GT	75	27581GT	11	35675GT	125
5397GT	205, 211	27697GT	133	36355GT	75, 91
6178GT	205, 211	27698GT	145, 185	38020GT	91
6361GT	67	28159GT	23, 41	38149FRGT	23
6666GT	217	28174GT	15, 23, 31, 35, 41, 47...	38149GT	23
6782GT	205	28235GT	15, 23, 31, 35, 41, 47	39518GT	75
6935GT	211, 233, 239, 249, 253, 255	28236FRGT	31	39540GT	99, 167
7056GT	217, 233	28236GT	31	41023GT	233
7057GT	217	28301GT	83, 87	41549GT	61
8149GT	77	28443GT	75	42079GT	139
10777GT	217, 233	28646GT	79	42489GT	231
12344GT	203	28750GT	11	43018GT	171
12448GT	161	28853GT	231	43392GT	163, 191
13000GT	205, 211	29868GT	53, 55, 61, 65, 69, 73...	43700GT	113
13585GT	217	30220GT	153	44195GT	113
13597GT	219	30468GT	191	44981GT	23, 31, 41, 47
14041GT	239, 247, 251, 255	30489GT	197	45074GT	51
18396GT	49, 153	30971GT	197	45470GT	147, 185
18503GT	75, 91	30973GT	101	45708GT	125
18665GT	203, 209	31060FRGT	15, 29, 31	48425GT	125
18666GT	215	31060GT	15, 29, 31	48773-1200GT	129
18720GT	53, 187	31379GT	123	48773-2000GT	183
20776GT	203, 209	31523GT	197	48841GT	117
20780GT	123	31744GT	113	48875GT	49
20973GT	229	31745GT	113	48880GT	77
21121GT	61, 143	31779GT	11	48885GT	79
21130GT	123	31982GT	117, 129	48887GT	57
21465GT	117	32150GT	11	48905GT	153
22571GT	189	32151GT	11	48907GT	151, 171
22672GT	197	32184GT	113	48912GT	153
23221GT	211	32185GT	113	48915GT	49
24038GT	119, 123	33428GT	53, 187	48916GT	77
24514GT	161	33555GT	83, 87	48920GT	59, 73
25817GT	49, 51	33994GT	11	48929GT	55
25847GT	51	34053GT	99	48930GT	55
25994FRGT	23	34344GT	125	48932GT	59
25994GT	23	34619GT	191	48933GT	55, 65, 69, 77
27089-6000GT	129	34922GT	197	48937GT	55, 59, 77
27204GT	21, 39	34955GT	197	48947GT	79
27205GT	21, 39	35418-8400GT	129	48950GT	77



<u>Part no.</u>	<u>Page Number</u>	<u>Part no.</u>	<u>Page Number</u>	<u>Part no.</u>	<u>Page Number</u>
48952GT	65, 69, 147	54534GT	99	66814GT	99
48959GT	79	55067GT	117	66815GT	165
48960GT	77	55089GT	219	66816GT	99
48963GT	71, 77, 117, 143	55753GT	163, 227	66817GT	99
48983GT	77	56302GT	99	66818GT	99
48985GT	61, 65, 69	56424GT	67, 161	67897GT	161
48996GT	61	56604GT	143	69550GT	175
48997GT	77	56912GT	51, 55, 61, 13, 19, 117...	70452GT	127
49116-2437GT	177	56949GT	65	72086GT	15, 23, 35, 41
49116-2637GT	177	57075GT	217	72875FRGT	31
49117-12291GT	177	58412GT	13	72875GT	31
49119-2478GT	177	59460GT	49	72999GT	23, 41
49119-3378GT	183	60304GT	133, 137, 139	73478GT	161
49119-4978GT	177	60334GT	11, 79	73575GT	161, 221
49130-3057GT	183	60536GT	11	73730GT	95
49130-3482GT	179, 181	60840GT	137, 139	73736GT	95
49130-4370GT	179, 181	60857GT	13	73805GT	99, 165
49130-4582GT	179, 181	61074-15648GT	177	73900GT	159
49130-5082GT	179, 181	61079GT	139	74006GT	209, 217
49130-6218GT	183	61263GT	61	74052GT	217, 219
49130-13982GT	183	61283GT	151	74913GT	203
49131-6403GT	183	61346GT	131	75097GT	11
49183-4692GT	179, 181	61602GT	153	75185GT	189
49183-47653GT	177	61745GT	61, 77, 135	75443GT	169
49201GT	77	62114GT	113	75444GT	169
49212GT	217	62392GT	169	75445GT	169
49214GT	217	62420GT	13	75446GT	169
49215GT	219	62425GT	11	75447GT	169
49379GT	189	62506GT	171	75448GT	169
49408GT	189	62507GT	171	75449GT	169
49612GT	11	63375GT	209, 217	75654GT	61, 69, 119
49924GT	13	65278GT	21, 39	76695GT	151
50035GT	57	65621GT	13	77351GT	167
52475GT	21, 39	65623GT	13	77656GT	141
52531GT	113	65626GT	13	77884GT	137
52865FRGT	23	65837GT	113	78098GT	91
52865GT	23	66031GT	79	80341GT	91, 203, 209
53471-750GT	161	66353GT	217	80543GT	209
54065GT	153	66399GT	11	81175GT	153
54123GT	129	66717GT	75, 91, 233	81340GT	135
54365GT	167, 203, 211	66812GT	95, 165	81341GT	137
54486GT	191	66813GT	95, 165	81342GT	137



<u>Part no.</u>	<u>Page Number</u>	<u>Part no.</u>	<u>Page Number</u>	<u>Part no.</u>	<u>Page Number</u>
81347GT	139	97815GT	31, 47	119404GT	233
81488GT	167	97865FRGT	15	119915GT	169
81522GT	125	97865GT	15	119976GT	167
81579GT	81	101200GT	113	121028GT	143
81691GT	59	101204GT	113	121029GT	135
81812-47605GT	177	101494GT	61	121031GT	145
81986GT	73	101559GT	135	121033GT	145
82161GT	23, 41	101566GT	145	121034GT	141
82237FRGT	15, 23, 31	101932GT	153, 193	121044GT	141
82237GT	15, 23, 31, 203, 209	102785GT	191	121063GT	131
82366FRGT	23	102786GT	191	121064GT	131
82366GT	23, 41	102992GT	161	121146GT	141
82487GT	47	104804GT	163	121150GT	141
82862FRGT	31	105214GT	157	121155GT	141
82862GT	31	106073GT	211	121156GT	141
83098GT	169	106104GT	203, 209	121163GT	139
87755GT	95	106115GT	111	121164GT	133
88280GT	151	106204GT	215	121167GT	193
88353GT	61, 69, 119	106226GT	117	121170GT	193
88406GT	215	106495GT	93, 209	121173GT	193
88441-2240GT	69	106860GT	215	121181GT	143
88441-3840GT	119	106924GT	55	121189GT	143
88474GT	119	110149GT	55, 65, 69, 73, 77, 93...	121353GT	61
88477GT	119	110523GT	113	121381GT	61
88478GT	119	110876GT	135	121387GT	149
88568GT	141	111526GT	191	121388GT	149
88606GT	191	112531GT	113	121393GT	73
88607GT	191	114236GT	15, 35	121399GT	145, 149
88949-1728GT	179, 181	114249GT	39	121406GT	145
89871-5148GT	71	114251GT	35, 41	121595GT	217
89871-6048GT	117	114252GT	35, 45, 47	121604GT	55
93500GT	11	114258FRGT	15, 23	121658GT	137
94327GT	11	114258GT	15, 23	121670GT	141
94358GT	117	114390FRGT	15, 23, 31	121671GT	141
94465-4050GT	179, 181	114390GT	15, 23, 31	121754GT	133
94465-6450GT	183	114416FRGT	31	121787-12291GT	177
94532GT	117	114416GT	31	121869GT	149
94599GT	175	114473GT	47	122073GT	227
94982GT	211	116833GT	113	122366GT	99
97602FRGT	23	117255GT	145	122367GT	99
97602GT	23	119219-1638GT	117	122646GT	175
97757GT	23, 41	119403GT	217	123893GT	53, 187



<u>Part no.</u>	<u>Page Number</u>	<u>Part no.</u>	<u>Page Number</u>	<u>Part no.</u>	<u>Page Number</u>
128000GT	169	230995GT	193	824093GT	51, 151
128001GT	169	231512GT	83, 87	824102GT	73
128146GT	231	231513GT	83, 89	824107GT	63
128200GT	95, 165	232874GT	119	824110GT	119, 193
128202GT	95	233509GT	153	824113GT	51, 55, 15, 85, 81, 131...
128268GT	153	236260GT	11	824115GT	67, 127
128322GT	215	236966GT	217	824116GT	101, 155
128483GT	151	237238GT	57	824122GT	77
131373GT	115	237241GT	53, 147	824124GT	193
131378GT	113	237242GT	53, 147	824127GT	49
133067GT	35, 41, 47	237827GT	53	824129GT	49, 141
133205GT	35	238330GT	153	824132GT	117
133278FRGT	23	680250GT	91, 203, 209	824133GT	117
133278GT	23	823368GT	77, 103	824138GT	119, 123
133411GT	41	823520GT	189	824142GT	119, 123
139278GT	115	824027GT	217	824145GT	119, 123
139279GT	115	824028GT	233	824146GT	145
139598GT	169	824031GT	101	824210GT	121
144161GT	217	824032GT	233	824214GT	91, 95
146264GT	49	824037GT	225	824215GT	67, 191, 219
146478GT	165	824041GT	59	824226GT	95, 167
147090GT	99	824059GT	55, 83, 87, 211	824227GT	227, 251
147121GT	161	824060GT	203	824617GT	211
160412GT	91, 245, 247	824065GT	153	824872GT	67
160809GT	159	824067GT	133, 137, 139	825019GT	125, 151
214225GT	153	824068GT	137, 139	825349GT	99, 191
214226GT	153	824069GT	193	825352GT	189
214228GT	11	824070GT	51	825353GT	51, 73, 155
214620GT	215	824075GT	155	825354GT	239, 247, 251, 255
214621GT	215	824077GT	49, 147, 185, 225	825357GT	235
215254GT	83, 87	824078GT	53, 55, 61, 65, 69, 73...	825358GT	79, 215
215488GT	91	824079GT	59, 19, 125, 155, 145, 161...	825737GT	211
217219GT	239, 247, 251, 255	824081GT	151, 217	825760GT	145, 149
217366GT	215	824082GT	163	825762GT	145
218090GT	99	824083GT	77, 167	825796GT	141, 151
218449GT	95	824084GT	49, 57, 145	826379GT	141
218559FRGT	31	824085GT	71, 127	826516GT	73, 135
218559GT	31	824086GT	51, 19, 125, 205, 211, 239...	826624GT	219
219958GT	47	824089GT	53, 55, 61, 65, 69, 73...	826783GT	75, 91, 233
226542GT	153	824090GT	51, 55, 15, 11, 101, 117...	826793GT	119, 133, 137, 139
227618GT	103, 161	824091GT	51, 55, 11, 15, 11, 119...	866090GT	115
228752-5400GT	179, 181	824092GT	55, 77, 151	866101GT	113



<u>Part no.</u>	<u>Page Number</u>	<u>Part no.</u>	<u>Page Number</u>	<u>Part no.</u>	<u>Page Number</u>
995750GT	95, 167	1256180GT	151	1258722GT	83, 87
1251565GT	131, 139, 141, 151	1256182GT	57, 63	1258723GT	85, 87
1251600GT	161, 219, 221	1256283GT	125	1258724GT	83, 87
1251757GT	91, 99, 191	1256425GT	35, 41, 47	1258728GT	145
1251983GT	65, 69	1256460GT	229	1258783GT	229
1251994GT	125	1256464GT	117	1259106GT	71, 79, 157
1252486GT	227	1256467GT	229	1259583GT	191
1252978GT	193	1256468GT	71, 79, 127	1259584GT	191
1253185GT	13, 99, 153, 189, 191, 221	1256479GT	147	1259855GT	71, 79, 127
1253477GT	95, 167	1256679GT	65	1260116GT	175
1253478GT	75, 83, 87, 141, 151	1256756GT	199, 201	1260121GT	175
1253489GT	217	1256803GT	145	1260124GT	173, 175
1253490GT	61, 143, 239, 241, 251, 255	1256804GT	191	1260125GT	175
1253795GT	101, 189	1256837GT	73, 141	1261001GT	191
1253796GT	101, 189	1256842GT	61	1261184GT	221
1253815GT	53, 147	1256843GT	155	1261244GT	83
1253830GT	83	1256846GT	73	1261245GT	87
1253831GT	85	1256855GT	91, 93, 99, 111, 161, 167	1261250GT	205, 211
1255391GT	137	1256856GT	85, 87, 143	1261277GT	71, 79, 83, 89, 127
1255538GT	203, 209	1256857GT	147	1261836GT	83, 87
1255581GT	15, 23, 35, 41	1256860GT	73	1261837GT	83, 89
1255654GT	57	1256863GT	73, 141	1261878GT	229
1255666GT	65, 69	1257227GT	211	1261879GT	229
1255752GT	239, 247, 251, 255	1257296GT	217, 219, 233	1262210GT	83
1255756GT	151	1257390GT	133, 219, 233	1262211GT	87
1255758GT	51	1257410GT	95	1262432GT	215
1255760GT	71, 79, 125, 207, 213	1257464GT	157	1262866GT	13
1255763GT	83, 87	1257628GT	83, 87	1263542GT	35, 41
1255768GT	73	1257704GT	79	1263543FRGT	15, 25
1255802GT	49, 55	1257723GT	73	1263543GT	15, 25
1255804GT	71, 79, 127	1257733GT	11	1263699GT	51
1255805GT	83, 89, 101	1257866GT	133	1263734GT	127
1256054GT	85, 87	1257867GT	131	1264446GT	239, 243, 241, 251, 255
1256108GT	193	1258174GT	15, 23, 35, 41	1264510GT	51
1256109GT	139	1258176GT	15, 25, 35, 41	1264698GT	125
1256110GT	153	1258189GT	55, 133	1264934GT	221
1256111GT	149	1258563GT	101	1265019GT	153
1256112GT	145	1258567GT	11	1265397GT	163
1256118GT	119	1258674GT	203	1265580GT	111
1256123GT	51, 131, 217	1258687GT	203	1265583GT	111
1256126GT	67, 127	1258688GT	205	1266019GT	25, 41
1256127GT	65, 83, 87, 151	1258689GT	205	1266895GT	83



<u>Part no.</u>	<u>Page Number</u>	<u>Part no.</u>	<u>Page Number</u>	<u>Part no.</u>	<u>Page Number</u>
1266902GT	83, 87	1272231GT	101	1276019GT	137, 139
1266916GT	87	1272242GT	25, 41	1276021GT	133, 137, 139
1267121FRGT	15, 25	1272303GT	159	1276484GT	153
1267121GT	15, 25	1272304GT	159	1276672GT	209
1267309GT	87	1272557GT	111	1276677GT	101
1267746GT	161	1272910GT	73	1276820GT	153
1267747GT	163	1273329GT	145	1276821GT	133
1268186GT	205, 211	1273629GT	235	1276822GT	153
1268468GT	119, 123, 199, 201	1273674GT	133, 137	1276986GT	209
1268505GT	147	1273679GT	139	1277205GT	215
1268597GT	141	1273689GT	137	1277206GT	215
1268605GT	131	1273706GT	139	1277207GT	215
1268762GT	77	1273734GT	161	1277775GT	147
1269052GT	217	1274068GT	157	1277776GT	147
1269081GT	87	1274164GT	91, 95	1277777GT	145
1269367GT	153	1274165GT	83, 87, 133, 143, 151, 161...	1277869GT	147
1269424GT	151	1274166GT	199, 201	1277873GT	221
1269497GT	165	1274167GT	59, 65, 71, 79, 83, 87...	1277924GT	49, 57, 59, 65, 69, 77...
1269498GT	165	1274168GT	59, 133, 239, 247, 251, 255	1278119GT	105
1269499GT	169	1274170GT	209	1278128GT	87
1269586GT	73	1274172GT	125, 145	1278542GT	31, 47, 221
1269641GT	161	1274251GT	141	1278982GT	31, 47, 221
1269642GT	151	1274252GT	141	1279049GT	153
1269724GT	103	1274314GT	141	1279075GT	105
1269729GT	103	1274315GT	141	1279531GT	219
1269735GT	105	1274320GT	49, 55	1279567GT	151
1269766GT	53	1274322GT	51, 55, 61, 65, 71, 75...	1279801GT	197
1270278GT	105, 157	1274338GT	147	1279802GT	197
1270337GT	157	1274348GT	139	1280072GT	193
1270466GT	67	1274511GT	151	1280073GT	193
1270665GT	209	1274859GT	159	1280074GT	193
1270810GT	171	1274869GT	193, 197	1280075GT	193
1271081GT	53, 61, 133, 143, 239, 247...	1274970GT	169	1280076GT	193
1271652GT	13	1274971GT	169	1280077GT	193
1271757GT	197	1275087GT	219	1280080GT	197
1271770GT	67	1275088GT	161	1280278GT	221
1271943FRGT	15	1275089GT	161	1280708GT	61
1271943GT	15, 35	1275258GT	169	1280819GT	25
1271944FRGT	15	1275625GT	147	1280820GT	25
1271944GT	15, 35	1275778GT	103, 147	1281169GT	15, 35
1272122GT	95, 167	1276017GT	133, 137, 139	1281171FRGT	31
1272123GT	95, 167	1276018GT	133, 137, 139	1281171GT	31



<u>Part no.</u>	<u>Page Number</u>	<u>Part no.</u>	<u>Page Number</u>	<u>Part no.</u>	<u>Page Number</u>
1281173GT	47	1292515GT	25, 41	1306900GT	221
1281174GT	31, 47	1292517GT	25, 41	1307061GT	189
1281183FRGT	31	1292518GT	25, 41	1307644GT	221
1281183GT	31	1292519GT	25, 41	1307726GT	151
1281184GT	47	1293324GT	25, 41	1307739GT	221
1281188GT	15, 35	1294352GT	117	1308227GT	231
1282117GT	13	1294398GT	15, 35	1308384GT	105, 221
1282963GT	209	1294422GT	229	1309426GT	113
1282993GT	225	1295188-5041GT	177	1310267GT	115
1283004GT	239, 243, 247, 251,	1295188-11720GT	177	1310268GT	115
1283005GT	255, 73, 91, 99, 189, 211, 219...	1295188-12440GT	177	1310269GT	113
1283012GT	95, 167	1296055GT	59	1310270GT	113
1283014GT	203, 209	1296207GT	103	1310271GT	113
1283019GT	233, 239, 247, 251, 255	1296457GT	117	1310272GT	113
1283024GT	155	1296895GT	235	1310273GT	113
1283026GT	215	1296897GT	235	1310274GT	113
1283028GT	153, 199, 201	1297288GT	73	1310275GT	113
1283306GT	131	1297451GT	173	1310378GT	219, 233
1283383GT	131	1298467GT	47	1310738GT	153
1283776GT	11	1298849FRGT	33	1310772GT	123
1283841GT	211	1298849GT	31	1311043GT	219
1283843GT	209	1298877GT	231	1311457GT	153
1284272GT	191	1299395GT	99	1311692GT	117
1284573GT	153	1299401GT	99	1311693GT	117
1284973GT	219	1299413GT	99	1311694GT	117
1284974GT	219	1300544GT	123	1311695GT	119
1284975GT	219	1300832GT	235	1313657GT	79
1284977GT	219	1301030GT	43	1314021GT	59
1286171GT	151	1303426GT	163	1314340GT	119
1286362GT	35, 41	1303584GT	125	1314749GT	117
1287081GT	203	1303592GT	91, 203, 209	1314783GT	49
1288002GT	113	1303750GT	119	1315308GT	25, 43
1288003GT	113	1303942GT	25, 43	1315309GT	25, 43
1288009GT	131	1304000GT	141	1315359GT	105, 237
1288013GT	131	1304001GT	141	1315993GT	53, 187
1288285GT	145	1304130GT	91	1316010GT	187
1288398GT	59	1304217GT	43	1316296GT	163
1289554GT	203	1306377GT	11, 153	1316314GT	51
1291577GT	77, 105	1306613GT	123	1316317GT	51
1291624GT	25, 41	1306614GT	119	1316333GT	237
1292513GT	25, 41	1306615GT	119	1316369GT	57
1292514GT	25, 41	1306620GT	119, 123	1316635GT	67



<u>Part no.</u>	<u>Page Number</u>	<u>Part no.</u>	<u>Page Number</u>	<u>Part no.</u>	<u>Page Number</u>
1316721GT	173	1320364GT	103	1320954GT	117
1316722GT	173	1320483GT	117	1320998GT	93
1316796GT	55	1320484GT	121	1321041GT	135
1316799GT	53	1320485GT	125	1321061GT	79
1316800GT	53	1320592GT	61	1321062GT	79
1316801GT	79	1320685GT	49	1321063GT	75
1316802GT	77	1320686GT	53	1321066GT	81
1318290GT	75	1320687GT	53	1321068GT	79
1318291GT	51	1320688GT	53	1321109GT	73
1318292GT	49	1320690GT	213	1321110GT	61
1318293GT	49, 57	1320691GT	207, 213	1321111GT	61
1318296GT	51	1320693GT	207, 213	1321112GT	73
1318558GT	237	1320694GT	207, 213	1321113GT	73
1318729GT	119	1320695GT	207, 213	1321114GT	83
1318938GT	69	1320698GT	75	1321116GT	85
1318939GT	69	1320704GT	77	1321117GT	71
1318940GT	65, 203, 209	1320705GT	77	1321244GT	167
1318941GT	55	1320708GT	79	1321246GT	165
1319083GT	65, 69	1320709GT	61	1321248GT	33, 47, 165
1319370GT	101	1320712GT	125	1321271GT	133
1319559GT	103, 135	1320714GT	127	1321338GT	207, 213
1319586GT	69	1320715GT	127	1321368GT	109
1319789GT	71	1320716GT	119	1321369GT	109
1319904GT	145	1320785GT	103	1321370GT	109
1320141GT	125	1320786GT	103	1321371GT	109
1320183GT	49	1320799GT	65	1321372GT	109
1320184GT	49	1320800GT	67	1321373GT	109
1320185GT	55	1320804GT	73	1321374GT	109
1320186GT	55	1320805GT	73	1321375GT	109
1320187GT	55	1320807GT	69	1321376GT	109
1320189GT	57	1320808GT	69	1321377GT	109
1320192GT	49, 57	1320809GT	65, 203, 209	1321378GT	109
1320193GT	49, 55	1320810GT	61	1321382GT	109
1320195GT	51	1320838GT	207, 213	1321383GT	109
1320196GT	49	1320839GT	207, 213	1321384GT	109
1320197GT	51	1320841GT	207, 213	1321385GT	109
1320198GT	49, 57	1320842GT	207, 213	1321386GT	109
1320200GT	55	1320847GT	207, 213	1321387GT	109
1320202GT	213	1320893GT	65	1321388GT	109
1320336GT	103, 165	1320949GT	95	1321389GT	109
1320361GT	103	1320952GT	75	1321403GT	95
1320363GT	103	1320953GT	75, 233	1321405GT	97



<u>Part no.</u>	<u>Page Number</u>	<u>Part no.</u>	<u>Page Number</u>	<u>Part no.</u>	<u>Page Number</u>
1321408GT	99	1324696GT	53	1327246GT	131
1321409GT	79	1325200GT	99	1327247GT	151
1321463GT	103	1325205-9843GT	179, 181	1327251GT	145
1321978-16211GT	177	1325228-73609GT	177	1327264GT	165
1322074GT	17, 35, 95	1325258GT	49, 57	1327389GT	103, 143
1322075GT	67	1325486GT	197	1327390GT	103, 133
1322076GT	113	1325580GT	51	1327436GT	233
1322156GT	103	1325723GT	137	1327437GT	233
1322157GT	103	1325824GT	87	1327561GT	109
1322158GT	109	1325825GT	195	1327562GT	109
1322159GT	109	1325826GT	195	1327563GT	109
1322484GT	91, 93	1325827GT	195	1327650GT	17, 35
1322517GT	57	1325927GT	207, 213	1327651GT	17, 35
1322519GT	49	1326034GT	229	1327652GT	17, 35
1322521GT	49	1326123GT	103	1327728GT	165
1322522GT	51	1326402GT	197	1327782GT	101
1322585GT	167	1326403GT	197	1327783GT	101
1322586GT	105	1326528GT	91	1327857GT	217
1322589GT	105	1326741GT	105	1328000GT	111
1322681GT	95	1326745GT	93	1328109GT	111
1322683GT	91, 103	1326749GT	91	1328119GT	91
1322684GT	103	1326750GT	91	1328272GT	111
1322685GT	103, 107	1326751GT	203, 209	1328274GT	103, 233
1322689GT	107	1326752GT	91	1328311GT	133
1322816GT	199, 201	1326753GT	91	1328371GT	133
1323093GT	107	1326896GT	117	1328615GT	133
1323097GT	103, 109	1326942GT	225	1328837GT	65, 69
1323098GT	103, 111	1326981GT	85	1328838GT	65, 69
1323099GT	107	1327100GT	145	1328931GT	209
1323100GT	61, 103	1327113GT	145	1329261GT	111
1323101GT	103	1327115GT	145	1329270GT	111
1323139GT	135	1327119GT	93	1329288GT	107
1323159GT	79	1327120GT	93	1329289GT	107
1323193-73450GT	177	1327142GT	165	1329532GT	239, 247, 251, 255
1323405GT	69	1327143GT	165	1329688GT	55
1323406GT	65, 69, 207, 213	1327144GT	165	1329927GT	229
1323677GT	71	1327172GT	131	1330213GT	61
1323926GT	125	1327221GT	225	1330261GT	203
1324027GT	199	1327241GT	145	1330263GT	207
1324028GT	201	1327243GT	131	1330338GT	133
1324040GT	55, 103	1327244GT	131	1330351GT	21, 39
1324057GT	165	1327245GT	131	1330453GT	207, 213



<u>Part no.</u>	<u>Page Number</u>	<u>Part no.</u>	<u>Page Number</u>	<u>Part no.</u>	<u>Page Number</u>
1330494GT	17, 35	1331791FRGT	19	1333961GT	239, 247, 251, 255
1330495GT	17, 35	1331791GT	19	1333962GT	239, 247, 251, 255
1330496GT	25, 43	1331809GT	239, 249, 253, 255	1334048GT	173, 175
1330497GT	17, 35	1331819GT	65, 69	1334049GT	173
1330498GT	25, 43	1332000GT	37	1334050GT	173
1330499GT	17, 35	1332002GT	37, 39, 43	1334051GT	173
1330502GT	29, 45	1332004GT	37	1334052GT	173
1330503GT	29, 45	1332079GT	37	1334053GT	175
1330516FRGT	21	1332235GT	223	1334054GT	175
1330516GT	21	1332241GT	19, 37, 203, 209	1334055GT	175
1330681GT	21, 39	1332629GT	29, 45	1334056GT	175
1330693GT	205	1332638GT	27, 43	1334057GT	175
1331082GT	25, 43	1332639GT	19, 37	1334058GT	175
1331202FRGT	25	1332640GT	27, 43	1334059GT	175
1331202GT	25	1332641GT	19, 37	1334060GT	175
1331284FRGT	17	1332648GT	27, 43	1334061GT	175
1331284GT	17	1332649GT	19, 37	1334062GT	175
1331346FRGT	17	1332650GT	27, 43	1334063GT	175
1331346GT	17	1332651GT	19, 37	1334064GT	175
1331374FRGT	17	1332658GT	27, 43	1334065GT	175
1331374GT	17	1332659GT	19, 37	1334066GT	175
1331375FRGT	17, 37	1332660GT	27, 43	1334067GT	175
1331375GT	17, 35	1332661GT	19, 37	1334068GT	175
1331376FRGT	17, 37	1332693GT	111	1334121GT	239, 247, 251, 255
1331376GT	17, 37	1332694GT	111	1334130GT	241, 249, 253, 257
1331377FRGT	25, 43	1332695GT	111	1334142GT	111, 251
1331377GT	25, 43	1332785GT	19, 37	1334222GT	141
1331509FRGT	17	1332786GT	19, 37	1334237GT	107
1331509GT	17, 37	1332787GT	19, 37	1334238GT	107
1331511FRGT	17	1332788GT	19, 37	1334239GT	107
1331511GT	17	1333106GT	19, 37	1334240GT	239, 247, 251, 255
1331565FRGT	17, 21, 27	1333319GT	223	1334262GT	185
1331565GT	17, 21, 27	1333337GT	239, 247, 251, 255	1334263GT	185
1331599GT	57	1333355FRGT	21	1334264GT	185
1331600GT	57	1333355GT	21	1334265GT	185
1331660GT	69, 71, 207, 213	1333671GT	243	1334266GT	185
1331738GT	33, 47	1333703GT	29, 45	1334267GT	185
1331739FRGT	17	1333704GT	29, 45	1334268GT	185
1331739GT	17	1333705GT	29, 45	1334269GT	185
1331747GT	65, 69	1333736GT	65, 69	1334270GT	185
1331748GT	69	1333743GT	143	1334271GT	185
1331790GT	233	1333862GT	19, 33, 37, 47	1334272GT	185



<u>Part no.</u>	<u>Page Number</u>	<u>Part no.</u>	<u>Page Number</u>	<u>Part no.</u>	<u>Page Number</u>
1334273GT	185	1337246GT	245		
1334274GT	185	1337484GT	49		
1334275GT	185	1337485GT	49		
1334276GT	185	1337486GT	51		
1334277GT	185	1337487GT	51		
1334278GT	185	1337488GT	51		
1334279GT	185	1337489GT	51		
1334280GT	185	1337490GT	51		
1334281GT	185	1337491GT	51		
1334282GT	185	1337521GT	51		
1334283GT	185	1337751GT	239, 247, 251, 255		
1334284GT	185	1337752GT	239, 249, 251, 255		
1334285GT	185	1337818GT	239, 247, 255		
1334343GT	221	1337846GT	117		
1334346GT	221	1337953GT	111		
1334390GT	91	1338587GT	111		
1334391GT	91	1338787-0875GT	75		
1334466GT	29, 45	T109692GT	217		
1334621FRGT	33	T112560GT	219		
1334621GT	33	T112561GT	219		
1334850GT	125	T112626GT	169		
1335058GT	91, 203, 209	T112773GT	33, 47, 161		
1335059GT	167	T115766GT	163		
1335066GT	165				
1335078GT	165				
1335091GT	165				
1335092GT	165				
1335174GT	111				
1335529GT	203, 209, 239, 241, 251, 255				
1335662GT	169				
1336684GT	75				
1336695GT	75				
1336812GT	111				
1336886GT	19, 37				
1336906GT	255				
1337050GT	239, 243, 247, 251				
1337063GT	111				
1337067GT	83, 89				
1337213GT	207				
1337228GT	111				
1337242GT	239, 243, 245, 241, 251, 255				
1337244GT	245				





California Proposition 65



Operating, servicing and maintaining this equipment, passenger vehicle or off-highway motor vehicle can expose you to chemicals including engine exhaust, carbon monoxide, phthalates, and lead, which are known to the State of California to cause cancer and birth defects or other reproductive harm. These chemicals can be emitted from or contained in other various parts and systems, fluids and some component wear by-products. To minimize exposure, avoid breathing exhaust, do not idle the engine except as necessary, service your equipment and vehicle in a well-ventilated area and wear gloves or wash your hands frequently when servicing your equipment or vehicle and after operation. For more information go to www.P65Warnings.ca.gov/passenger-vehicle.

Breathing diesel engine exhaust exposes you to chemicals known to the State of California to cause cancer and birth defects or other reproductive harm.

- Always start and operate the engine in a well-ventilated area.
- If in an enclosed area, vent the exhaust to the outside.
- Do not modify or tamper with the exhaust system.
- Do not idle the engine except as necessary.

For more information go to www.P65warnings.ca.gov/diesel.

www.genielift.com

Distributed By:

Parts Manual
S-85 XC™ FE S-85 XC™ E

from SN S85XCEH-101

Part No.
1337214GT

Rev A

